

BALDOR® • ***RELIANCE***

Product Information Packet

CDP3450

1HP,2500RPM,DC,56C,3428P,TEFC,F1

Part Detail							
Revision:	W	Status:	PRD/A	Change #:		Proprietary:	No
Type:	DC	Prod. Type:		Elec. Spec:	34WG3763	CD Diagram:	CD0194
Enclosure:	TEFC	Mfg Plant:		Mech. Spec:	34-5990	Layout:	34LY5990
Frame:	56C	Mounting:	F1	Poles:	///	Created Date:	
Base:	RG	Rotation:	R	Insulation:	F	Eff. Date:	10-23-2013
Field Type:		Literature:		Elec. Diagram:		Replaced By:	

Nameplate NP0891L			
CAT.NO.	CDP3450		
SPEC.	34-5990-3763		
HP	1	ENCL	TEFC
RPM	2500		
FRAME	56C	TYPE	3428P
ARM V	90	ARM A	9.7
FLD V		FLD A	
INSUL	F	AMB.	40
DUTY	CONT	SUPPLY	1.5
BRG/DE	6203	BRG/ODE	6203
BRUSHES	2/BP5000BK08		
SER.		BLANK	IP44
BLANK			
APRV-CE	<input type="checkbox"/> Y	APRV-CSA	<input type="checkbox"/> Y
		APRV-UL	<input type="checkbox"/> Y

Parts List		
Part Number	Description	Quantity
SA005239	SA 34-5990-3763	1.000 EA
AA002888	AA 34-5990-3763	1.000 EA
BP5000BK08SP	CARBON BRUSH - GRADE SA-35	1.000 EA
HA3210B66	.125 DIA X .281 (AUTO)	2.000 EA
11XW1032G06	10-32 X .38, TAPTITE II, HEX WSHR SLTD U	1.000 EA
34EP3103B01	FR ENDPLATE, MACH	1.000 EA
WD4100A17	PLUG STIMPSON D4036	1.000 EA
HW5100A03SP	WAVY WASHER (W1543-017)	1.000 EA
34EP3300A29	PU ENDPLATE, MACH	1.000 EA
51XN1032A20	10-32 X 1 1/4 HX WS SL SR	2.000 EA
BP5201A11SP	BRUSH HOLDER ASSY W/BP4511A01 & BP3000A0	1.000 EA
80XN1032A03	10-32 X 3/16 SET SCREW	2.000 EA
34FN3002A01SP	EXTERNAL FAN, PLASTIC, .637/.639 HUB W/	1.000 EA
34FH5002A01SP	FAN COVER ASSY W/SHAFT COVER	1.000 EA
51XW1032A06	10-32 X .38, TAPTITE II, HEX WSHR SLTD S	3.000 EA
WD4102A01	SR-6L-1 HEYCO STRN RELIEF OR 23MPO6L10 M	1.000 EA
34CB4504SP	CONDUIT BOX LID, STAMPED	1.000 EA
34GS1011SP	GASKET, CONDUIT BOX LID	1.000 EA
51XW0832A07	8-32 X .44, TAPTITE II, HEX WSHR SLTD SE	2.000 EA
HW2501D13	KEY, 3/16 SQ X 1.375	1.000 EA
HA7000A04	KEY RETAINER 0.625 DIA SHAFTS	1.000 EA
HW3001B02	BRASS CUP WASHER W/GROUND SYMBOL TAB,	1.000 EA
MG1000G27	MED CHARCOAL METALLIC GREY 400-0096	0.014 GA
MJ5004A70	603 LOCTITE LOCC	0.001 EA

Parts List (continued)		
Part Number	Description	Quantity
10XF0440S02	04-40 X 1/8 TYPE F HEX HD STAINLESS STIC	2.000 EA
ML14A1B14	14 AWG,A1,BLACK	8.500 IN
ML14A2B14	14 AWG,A2,BLACK	8.500 IN
HA3100A47	THRUBOLT 10-32 X 7.625	4.000 EA
MN416A01	TAG-INSTAL-MAINT no wire (1200/bx) 11/14	1.000 EA
LB1119N	WARNING LABEL	1.000 EA
LC0194	CONNECTION LABEL	1.000 EA
NP0891L	NP STD LASER ENGRAVED DC MTRS, UL CSA CE	1.000 EA
27PA1001	PKG GRP, PRINT PK1027A06	1.000 EA

Accessories		
Part Number	Description	Multiplier
TK3400	TACHO MOUNTING KIT FOR TK3400	A8
TK3400-HPU	HPU10 MOUNTING KIT 34P/35P TEFC	

DC Motor Performance Data

Record # 353 - Typical performance - not guaranteed values

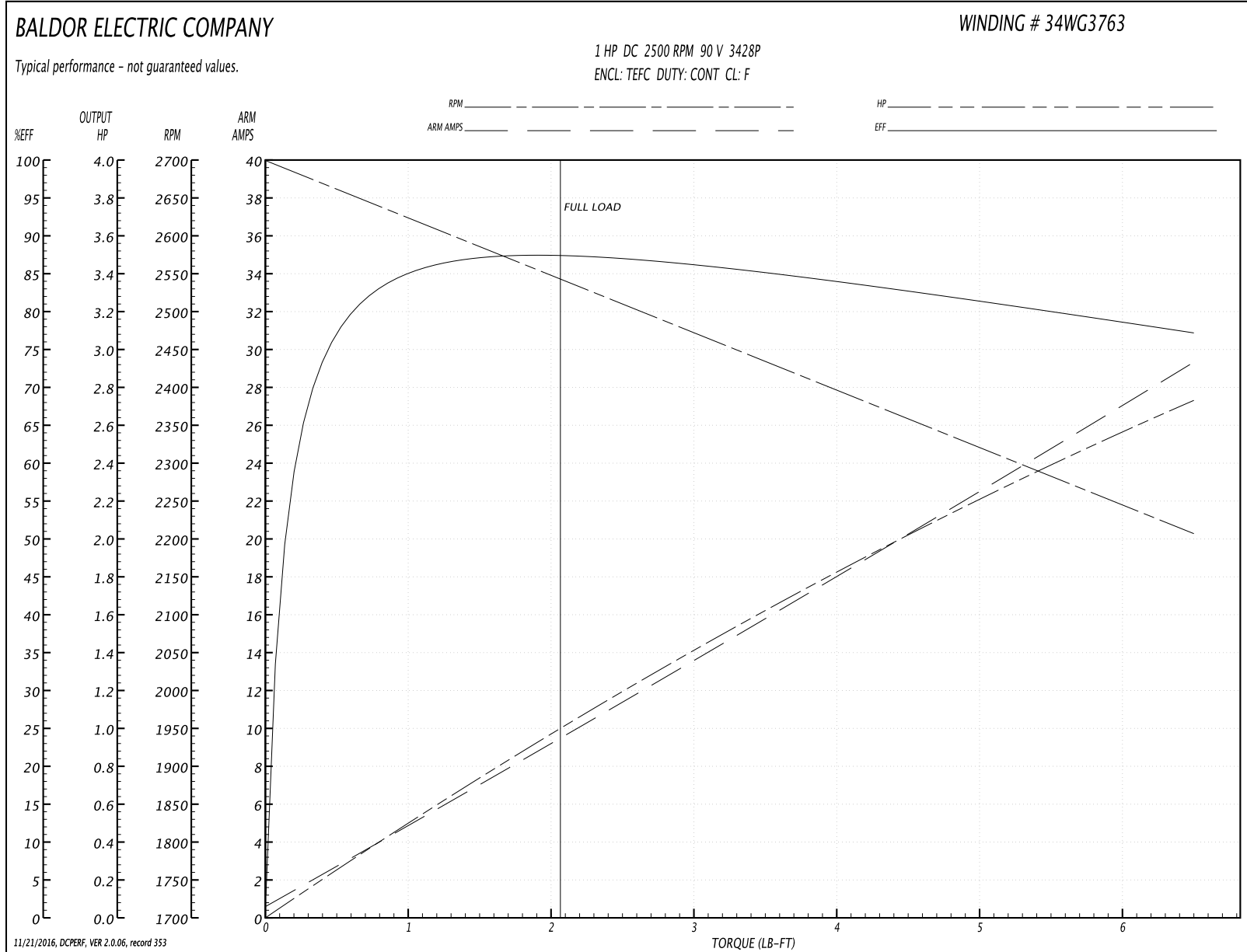
Winding: 34WG3763-R001	Type: 3428P	Enclosure: TEFC
-------------------------------	--------------------	------------------------

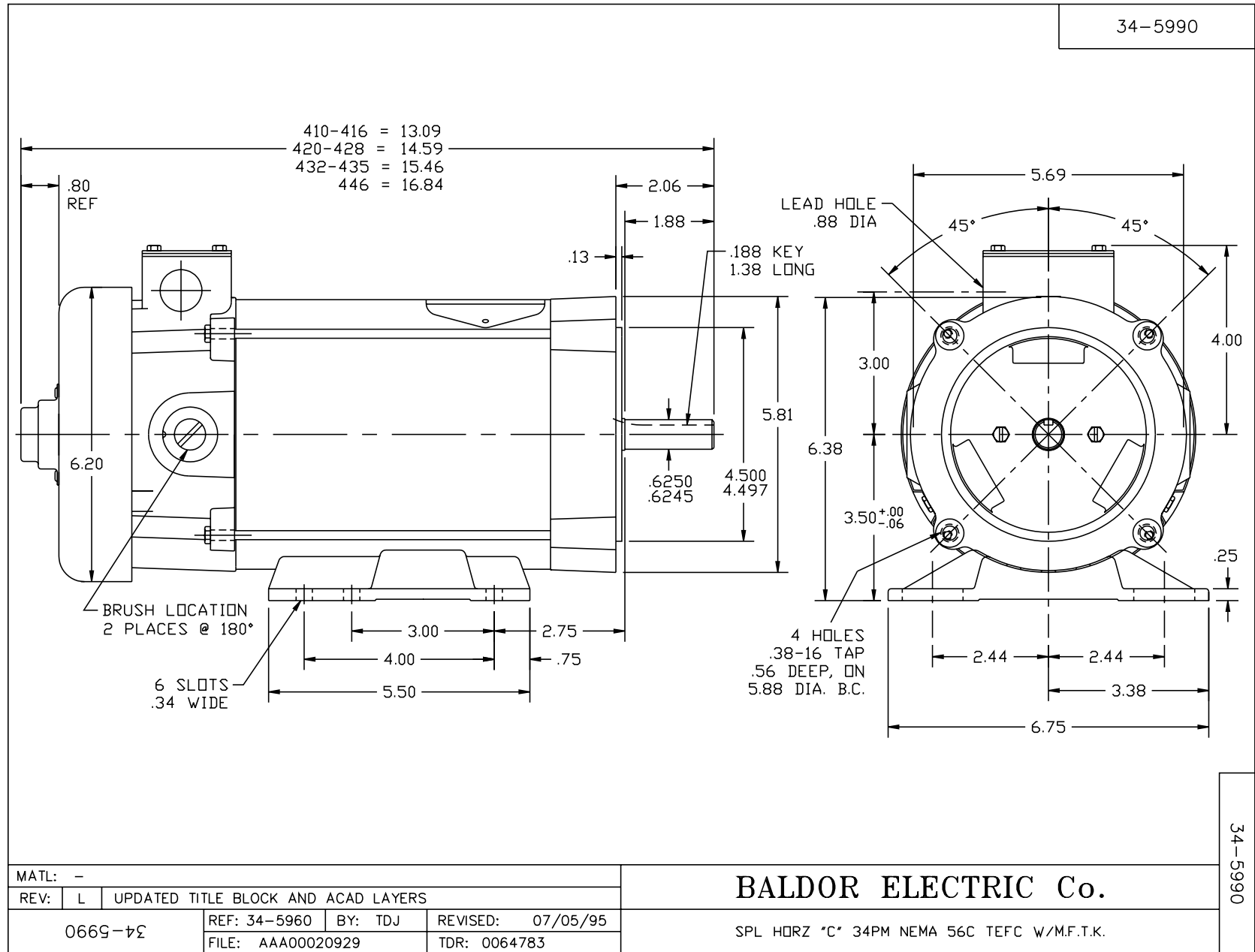
Nameplate Data		General Characteristics	
Rated Output (HP)	1	Armature Resistance @ 25°C	0.425 Ω
R.P.M.	2500		
Armature Volts	90		
Armature Amps	9.7		
Field Volts			
Field Amps			
Rating - Duty	40C AMB-CONT		
Form Factor	1.5		

Load Characteristics at 90 Armature Volts

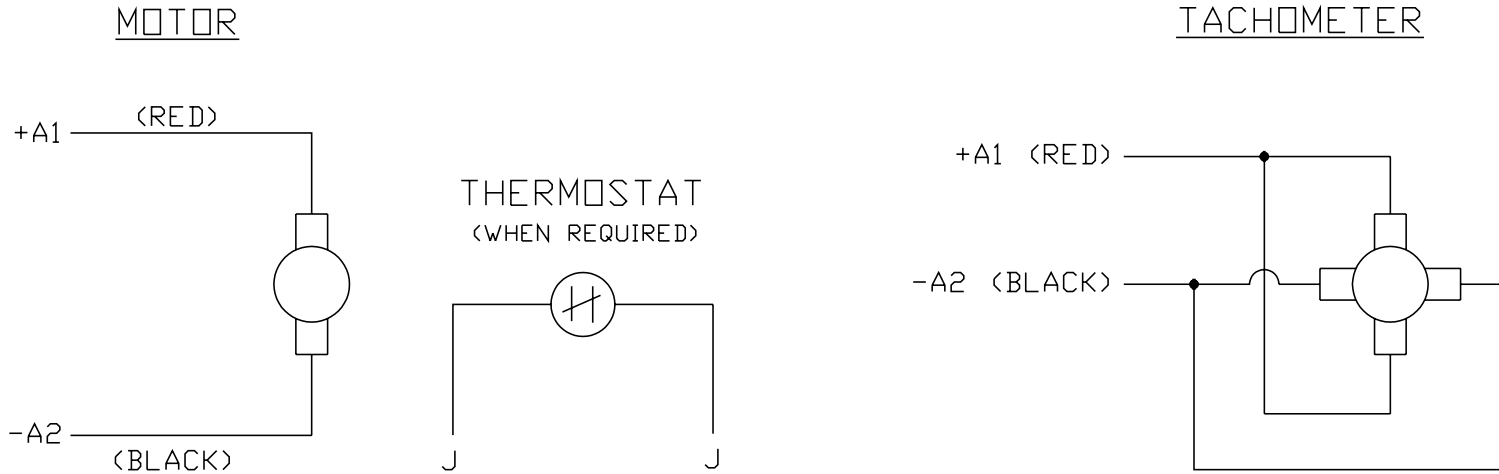
Load Point	1	2	3	4	5	6	7
Armature Amps	0.7	4.7	9.8	14.7	19.7	24.8	29.3
R.P.M.	2699	2621	2547	2447	2363	2291	2204
Torque (LB-FT)	0	1	2.125	3.25	4.375	5.5	6.5

Performance Graph at 90.0 Arm V, 1.0HP Typical performance - Not guaranteed values





CD0194



NOTES:

1. CCW ROTATION AS SHOWN FACING COMMUTATOR END. TO REVERSE MOTOR ROTATION OR TACHOMETER OUTPUT POLARITY INTERCHANGE LEADS A1(RED) & A2(BLACK)
2. LEAD COLORS FOR REFERENCE ONLY & NOT SPECIFIED BY THIS DRAWING. LEAD COLORS SPECIFIED BY LAYOUT DRAWING & BILL OF MATERIAL ONLY.

MATL: -			
REV:	E	ADDED NOTE "LEAD COLORS FOR REFERENCE ONLY &..."	
761000		SCALE: -	BY: CK
CD0194		REVISED: 07/28/95	TDR: 0078737
		FILE: AAA00004503	

BALDOR ELECTRIC Co.

CD TYPE P DC PERMANENT MAGNET MOTORS AND TACHOMETERS

CD0194