

BALDOR® • ***RELIANCE***

Product Information Packet

CL5009A

1HP,3450RPM,1PH,60HZ,56C,X3524L,XPFC,F1

Part Detail							
Revision:	BA	Status:	PRD/A	Change #:		Proprietary:	No
Type:	AC	Prod. Type:	3524L	Elec. Spec:	35WG0498	CD Diagram:	CD0008
Enclosure:	XPFC	Mfg Plant:		Mech. Spec:	35E365	Layout:	35LYE365
Frame:	56C	Mounting:	F1	Poles:	02	Created Date:	06-27-2007
Base:	RG	Rotation:	R	Insulation:	B	Eff. Date:	06-24-2016
Leads:	4#16 A&J,2#18 B PH,1#14 #4TH					Replaced By:	
Literature:		Elec. Diagram:					

Nameplate NP0016XPSL	
NO.	<input type="text"/>
SER.	<input type="text"/>
SPEC.	35E365-498
CAT.NO.	CL5009A
HP	1
VOLTS	115/230
AMPS	12/6
RPM	3450
HZ	60
SER.F.	1.00
RATING	40C AMB-CONT
FRAME	56C
USABLE AT 208V	<input type="text"/>
BLANK	<input type="text"/>
	CC <input type="text"/>
	T. CODE T4
	PH 1 CL B
	DES N CODE K
	NEMA-NOM-EFF 66
	PF 81

Parts List		
Part Number	Description	Quantity
SA024014	SA 35E365-498	1.000 EA
RA020064	RA 35E365-498	1.000 EA
TPMRJ28AX	THERMAL 1PH 0.75 AUT 120C	1.000 EA
EC1324A02	ELEC CAP, 324-389 MFD, 125V, 1.48D X 3.	2.000 EA
MJ5000A09	EFI KIT #1578 (400 ML CARTRIDGE OF EFI	0.050 EA
35CB3001A01SP	EXPL CONDUIT BOX, MACH, 1/2" PIPE TAP LE	1.000 EA
11XW1032G06	10-32 X .38, TAPTITE II, HEX WSHR SLTD U	1.000 EA
HW3001B01	BRASS CUP WASHER, FOR #8 SCREW	1.000 EA
35EP3700A01SP	FR ENDPLATE, XPFC	1.000 EA
51XW0832A07	8-32 X .44, TAPTITE II, HEX WSHR SLTD SE	2.000 EA
HW5100A03SP	WAVY WASHER (W1543-017)	1.000 EA
35EP3702A01SP	PU EP-205 BRG-35X-56C-143-5TC	1.000 EA
51XN1032A20	10-32 X 1 1/4 HX WS SL SR	2.000 EA
HA3013A01	1/2-20X5/8 SPL.HX BOLT	2.000 EA
HW3021C06	3/32 DI X .625 PIN (F/S)	2.000 EA
XY3118A12	5/16-18 HEX NUT DIRECTIONAL SERRATION	4.000 EA
51XB1214A16	12-14X1.00 HXWSSLD SERTYB	1.000 EA
51XW1032A06	10-32 X .38, TAPTITE II, HEX WSHR SLTD S	3.000 EA
35CB3500A01SP	CONDUIT BOX LID, MACH	1.000 EA
51XN2520A16	SCREW, HEX WS SLT, ZN, 1/4-20 X 1.00	4.000 EA
HW2501D13	KEY, 3/16 SQ X 1.375	1.000 EA
HA7000A04	KEY RETAINER 0.625 DIA SHAFTS	1.000 EA
85XU0407S04	4X1/4 U DRIVE PIN STAINLESS	6.000 EA
NP0018W	ALUM UL XP CONDUIT BOX NAMEPLATE	1.000 EA

Parts List (continued)		
Part Number	Description	Quantity
WD1000A03	41531 AMP FLG.TERM,4M/REEL(2.5MIL)	8.000 EA
WD1000A04	1-480307-1AMP REC(200/PKG)ACC#081693-10-	8.000 EA
51XW0832A07	8-32 X .44, TAPTITE II, HEX WSHR SLTD SE	2.000 EA
MJ1000A02	GREASE, POLYREX EM EXXON (USe 4824-15A)	0.050 LB
34FN3002A01SP	EXTERNAL FAN, PLASTIC, .637/.639 HUB W/	1.000 EA
MG1025G29	WILKOFAS, 789.229, DARK CHARCOAL GRAY	0.014 GA
35FH4005A01SP	IEC FH NO GREASER W/PRIMED	1.000 EA
HA3104A08	THRUBOLT-5/16-18X9.375 X X	4.000 EA
HA6003A52	CLAMP, CAPACITOR, WHITE ZINC PLATED	2.000 EA
NS2500A06	INSULATOR,AUTO THER PROT,W/PSA ON 1 SIDE	1.000 EA
HA6001A01	THERMAL RETAINER (PLATED)	1.000 EA
12XF0632A06	6-32X3/8 TY F HEX HD SLT	2.000 EA
SP5051A64	MODEL 35 TORQ STATIONARY SWITCH FOR XP	1.000 EA
LB1118	LABEL,WARNING (ROLL LABEL)	1.000 EA
LC0008	CONNECTION LABEL	1.000 EA
NP0016XPSL	SS XP UL CSA CC CL-I GP-D CL-II GP-F&G	1.000 EA
36PA1000	PKG GRP, PRINT PK1016A06	1.000 EA

AC Induction Motor Performance Data

Record # 30814 - Typical performance - not guaranteed values

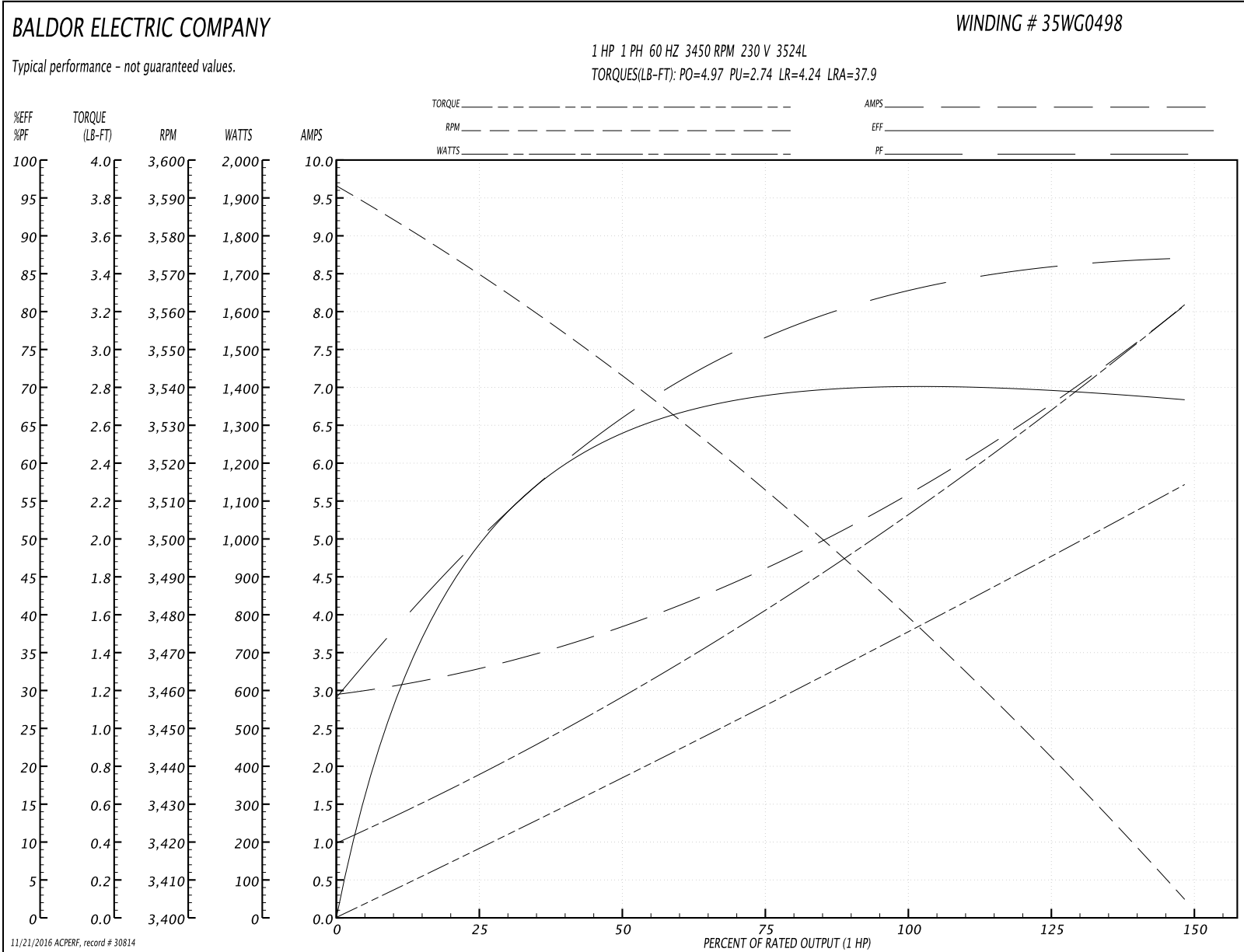
Winding: 35WG0498-R002	Type: 3524L	Enclosure: XPFC
-------------------------------	--------------------	------------------------

Nameplate Data				230 V, 60 Hz: High Voltage Connection	
Rated Output (HP)	1			Full Load Torque	1.51 LB-FT
Volts	115/230			Start Configuration	direct on line
Full Load Amps	12/6			Breakdown Torque	4.97 LB-FT
R.P.M.	3450			Pull-up Torque	2.74 LB-FT
Hz	60	Phase	1	Locked-rotor Torque	4.24 LB-FT
NEMA Design Code	N	KVA Code	K	Starting Current	37.9 A
Service Factor (S.F.)	1			No-load Current	2.95 A
NEMA Nom. Eff.	66	Power Factor	81	Line-line Res. @ 25°C	2.572 Ω A Ph 1.8019 Ω B Ph
Rating - Duty	40C AMB-CONT			Temp. Rise @ Rated Load	49°C

Load Characteristics 230 V, 60 Hz, 1 HP

% of Rated Load	25	50	75	100	125	150
Power Factor	51	66	76	82	85	88
Efficiency	48.2	63.2	68.3	70.6	70.1	68
Speed	3563.8	3541.1	3515.3	3483.1	3445.7	3401.4
Line amperes	3.28	3.83	4.58	5.59	6.75	8.09

Performance Graph at 230V, 60Hz, 1.0HP Typical performance - Not guaranteed values



AC Induction Motor Performance Data

Record # 59849 - Typical performance - not guaranteed values

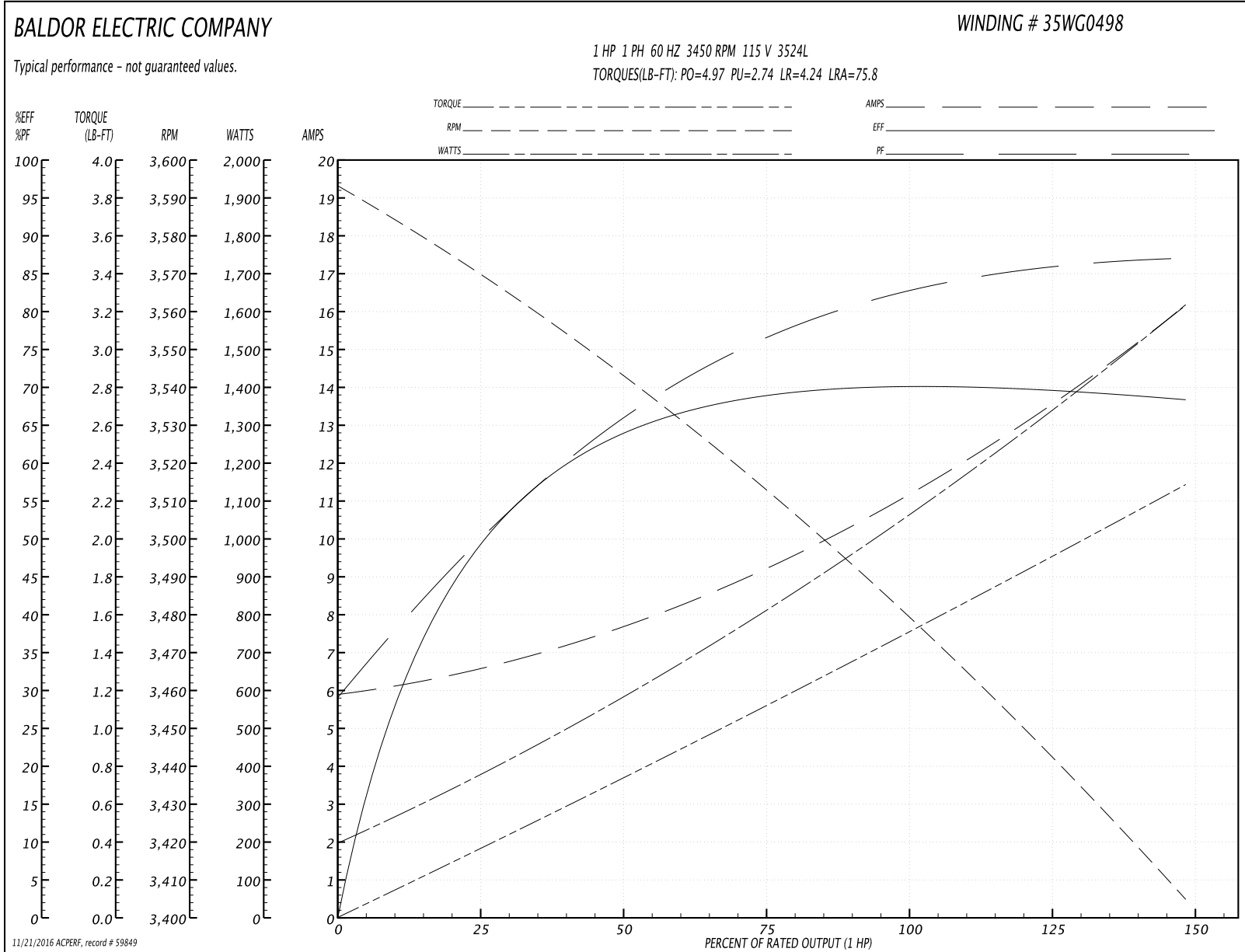
Winding: 35WG0498-R002	Type: 3524L	Enclosure: XPFC
-------------------------------	--------------------	------------------------

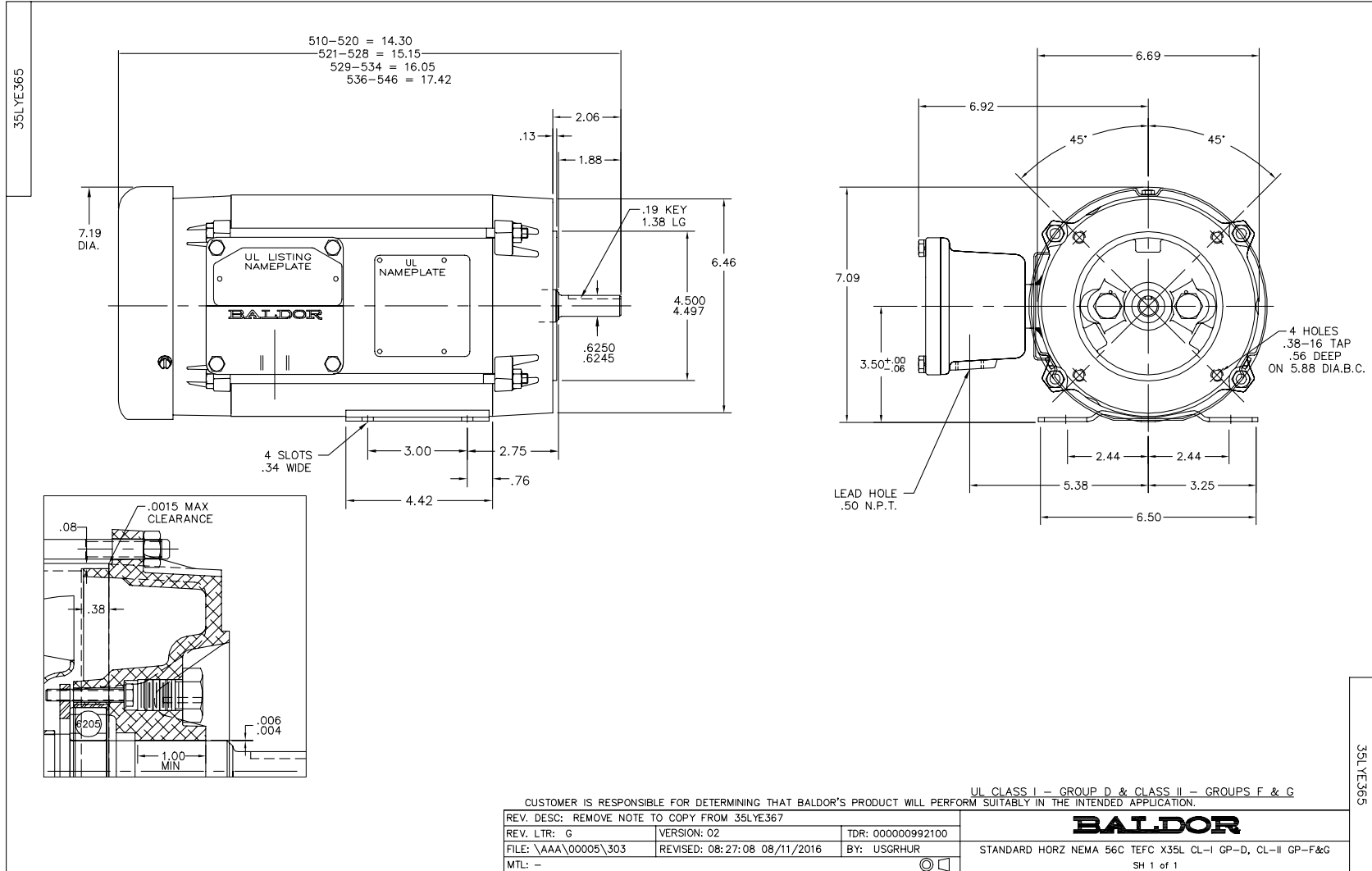
Nameplate Data				115 V, 60 Hz: Low Voltage Connection	
Rated Output (HP)	1			Full Load Torque	1.51 LB-FT
Volts	115/230			Start Configuration	direct on line
Full Load Amps	12/6			Breakdown Torque	4.97 LB-FT
R.P.M.	3450			Pull-up Torque	2.74 LB-FT
Hz	60	Phase	1	Locked-rotor Torque	4.24 LB-FT
NEMA Design Code	N	KVA Code	K	Starting Current	75.8 A
Service Factor (S.F.)	1			No-load Current	5.9 A
NEMA Nom. Eff.	66	Power Factor	81	Line-line Res. @ 25°C	0.643 Ω A Ph 1.8019 Ω B Ph
Rating - Duty	40C AMB-CONT			Temp. Rise @ Rated Load	49°C

Load Characteristics 115 V, 60 Hz, 1 HP

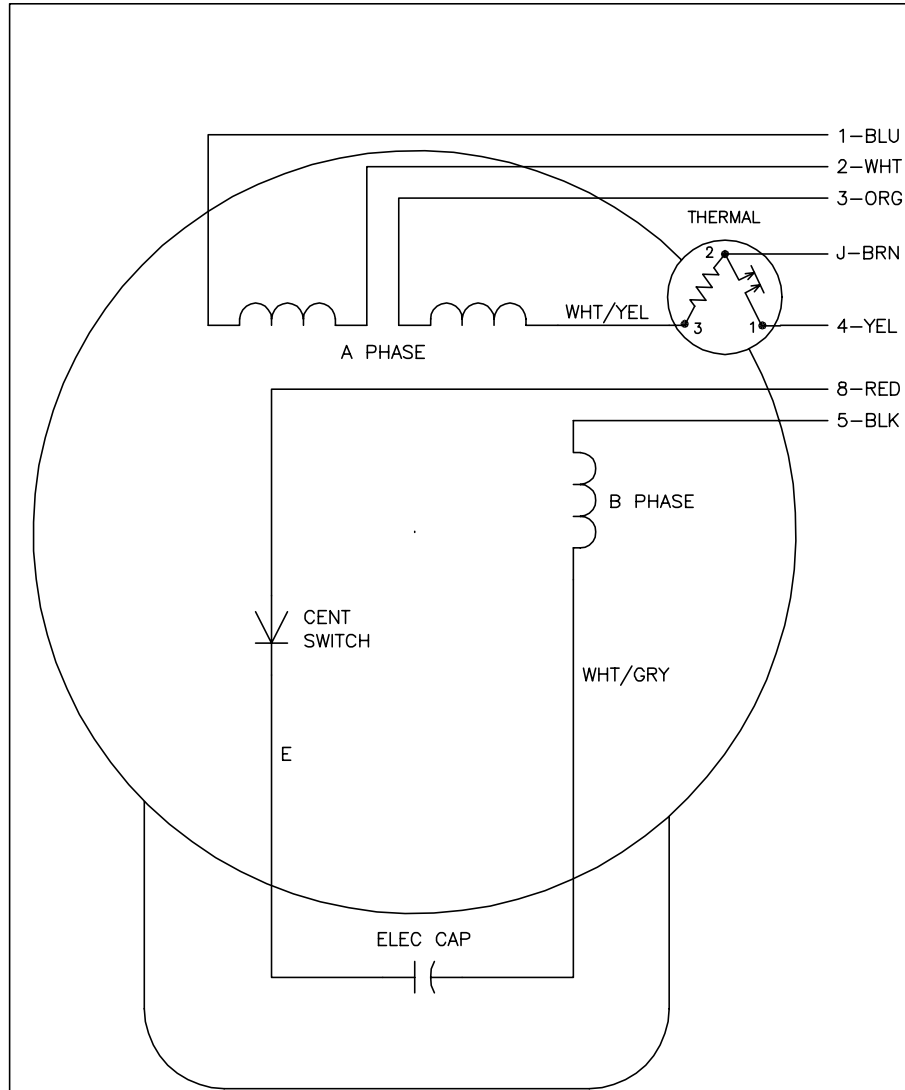
% of Rated Load	25	50	75	100	125	150
Power Factor	51	66	76	82	85	88
Efficiency	48.2	63.2	68.3	70.6	70.1	68
Speed	3563.8	3541.1	3515.3	3483.1	3445.7	3401.4
Line amperes	6.56	7.66	9.16	11.18	13.5	16.18

Performance Graph at 115V, 60Hz, 1.0HP Typical performance - Not guaranteed values





CD0008



	LINE A	LINE B	JOIN	JOIN
HIGH STD	1	4	2,3,8	J,5
HIGH OPP	1	4	2,3,5	J,8
LOW STD	1,3,8	4	-	2,J,5
LOW OPP	1,3,5	4	-	2,J,8

NOTES:

1. STANDARD ROTATION IS CCW FACING END OPPOSITE SHAFT EXTENSION.
2. MULTIPLE CAPACITORS ARE CONNECTED IN PARALLEL UNLESS OTHERWISE SPECIFIED.
3. LEAD COLORS ARE OPTIONAL. LEADS MUST ALWAYS BE NUMBERED AS SHOWN.

REV. DESC: REMOVE 2-TERMINAL THERMAL DETAIL, SEE CD0008A02		
REV. LTR: F	VERSION: 01	TDR: 000000360649
80000D	FILE: \AAA\00007\408	REVISED: 10:56:54 04/18/2005
	MTL: -	BY: ENJOEPO

BALDOR ELECTRIC Co.

TYPE L, DV, REV, THERMAL, 7 LEADS

CD0008