

BALDOR® • ***RELIANCE***

Product Information Packet

CM7006A

.5HP,1725RPM,3PH,60HZ,56C,X3416M,XPFC,F1

Part Detail							
Revision:	Y	Status:	PRD/A	Change #:		Proprietary:	No
Type:	AC	Prod. Type:	3416M	Elec. Spec:	34WG1543	CD Diagram:	CD0007
Enclosure:	XPFC	Mfg Plant:		Mech. Spec:	34-5329	Layout:	34LY5329
Frame:	56C	Mounting:	F1	Poles:	04	Created Date:	
Base:	RG	Rotation:	R	Insulation:	B	Eff. Date:	09-22-2016
Leads:	12#18					Replaced By:	
Literature:		Elec. Diagram:					

Nameplate NP0016XPSL	
NO.	<input type="text"/>
SER.	<input type="text"/>
SPEC.	34-5329-1543
CAT.NO.	CM7006A
HP	.5
VOLTS	208-230/460
AMPS	2.1-2/1
RPM	1725
HZ	60
SER.F.	1.00
RATING	40C AMB-CONT
FRAME	56C
USABLE AT 208V	2.1
BLANK	<input type="text"/>

CC	<input type="text"/>
T. CODE	T3C
PH	3
CL	B
DES	B
CODE	L
NEMA-NOM-EFF	74
PF	63

Parts List		
Part Number	Description	Quantity
SA008991	SA 34-5329-1543	1.000 EA
RA005438	RA 34-5329-1543	1.000 EA
35CB3001A01SP	EXPL CONDUIT BOX, MACH, 1/2" PIPE TAP LE	1.000 EA
11XW1032G06	10-32 X .38, TAPTITE II, HEX WSHR SLTD U	1.000 EA
HW3001B01	BRASS CUP WASHER, FOR #8 SCREW	1.000 EA
34EP3703A01	FR ENDPLATE, MACH XP	1.000 EA
51XW0832A07	8-32 X .44, TAPTITE II, HEX WSHR SLTD SE	2.000 EA
MJ5000A01	SEALANT, CHICO A COMPOUND	0.050 LB
HW4002A02	1-11.5X2LG PIPE NIPPLE (F/S)	1.000 EA
HA1025A13	WSHR,FELT,.38" THICK F-26 CLASS	1.000 EA
HW3021E06	1/8 DIA X 5/8 ROLLPIN (F/S)	1.000 EA
HW5100A03SP	WAVY WASHER (W1543-017)	1.000 EA
34EP3705A01SP	PU ENDPLATE, MACH	1.000 EA
34FN3002A01SP	EXTERNAL FAN, PLASTIC, .637/.639 HUB W/	1.000 EA
34FH4002A01SP	IEC FH NO GREASER PRIMED	1.000 EA
51XW1032A06	10-32 X .38, TAPTITE II, HEX WSHR SLTD S	3.000 EA
35CB3500A01SP	CONDUIT BOX LID, MACH	1.000 EA
51XN2520A16	SCREW, HEX WS SLT, ZN, 1/4-20 X 1.00	4.000 EA
HW2501D13	KEY, 3/16 SQ X 1.375	1.000 EA
HA7000A04	KEY RETAINER 0.625 DIA SHAFTS	1.000 EA
NP0018W	ALUM UL XP CONDUIT BOX NAMEPLATE	1.000 EA
HA6001A01	THERMAL RETAINER (PLATED)	1.000 EA
12XF0632A06	6-32X3/8 TY F HEX HD SLT	2.000 EA
NS2500A05	INSULATOR, AUTO THER PROT	1.000 EA

Parts List (continued)		
Part Number	Description	Quantity
MG1025G29	WILKOFEST, 789.229, DARK CHARCOAL GRAY	0.014 GA
85XU0407S04	4X1/4 U DRIVE PIN STAINLESS	6.000 EA
SP5037A01	TERMINAL PLATE ASS'Y MODEL 34 - 3 PHASE	1.000 EA
TPMYJ70KX	THERMAL 3PH 0.75 AUT 120C	1.000 EA
HA3104A03	THRUBOLT 5/16-18 X 7.625 W QTE#457	4.000 EA
WD1000A16	2-520128-2 AMP FLAG TERMINAL(4M/RL)	12.000 EA
LC0007	CONNECTION LABEL	1.000 EA
LB1118	LABEL,WARNING (ROLL LABEL)	1.000 EA
NP0016XPSL	SS XP UL CSA CC CL-I GP-D CL-II GP-F&G	1.000 EA
35PA1000	PKG GRP, PRINT PK1008A06	1.000 EA

AC Induction Motor Performance Data
Record # 6627 - Typical performance - not guaranteed values

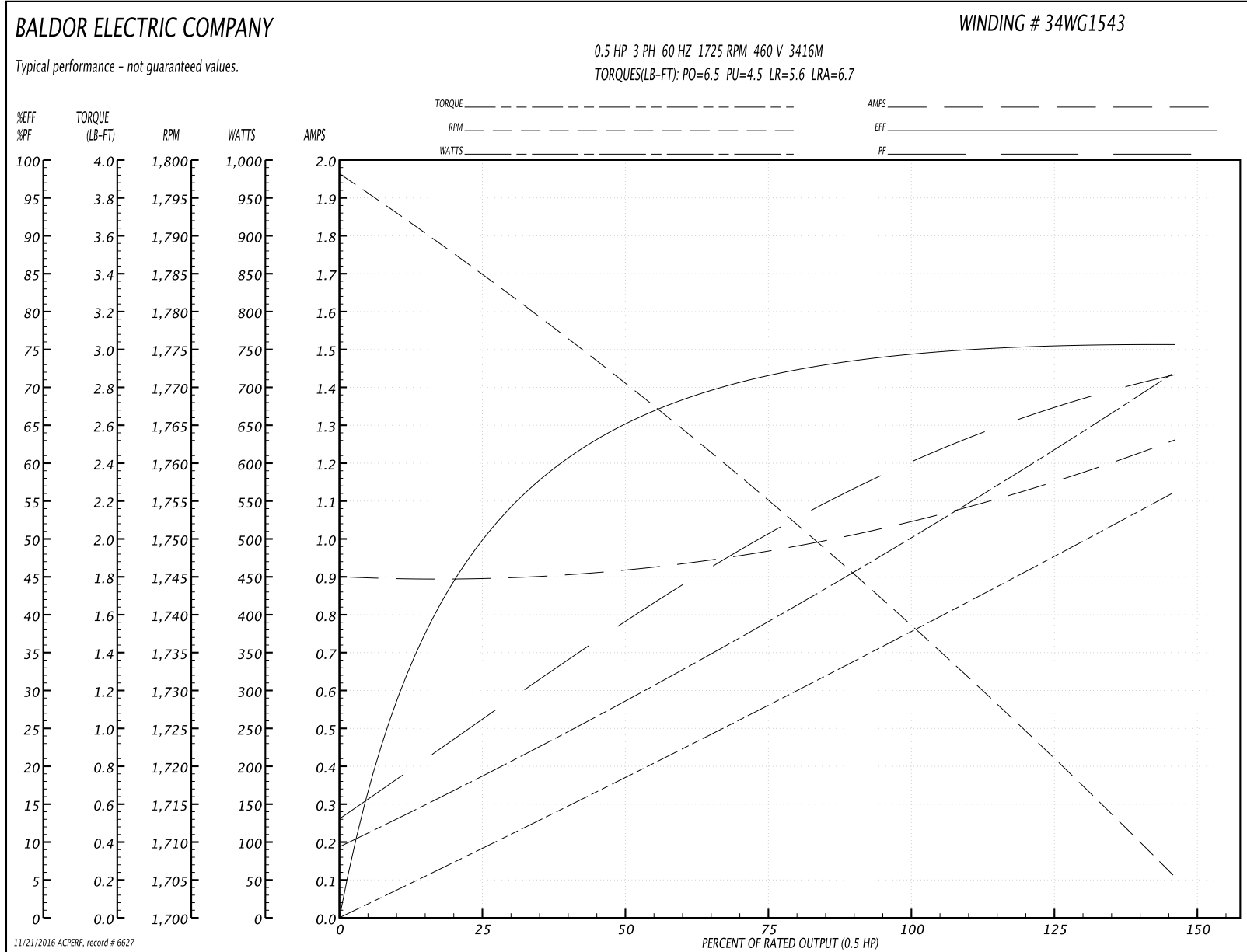
Winding: 34WG1543-R002	Type: 3416M	Enclosure: XPFC
-------------------------------	--------------------	------------------------

Nameplate Data				460 V, 60 Hz: High Voltage Connection	
Rated Output (HP)	.5			Full Load Torque	1.5 LB-FT
Volts	208-230/460			Start Configuration	direct on line
Full Load Amps	2.1-2/1			Breakdown Torque	6.5 LB-FT
R.P.M.	1725			Pull-up Torque	4.5 LB-FT
Hz	60	Phase	3	Locked-rotor Torque	5.6 LB-FT
NEMA Design Code	B	KVA Code	L	Starting Current	6.7 A
Service Factor (S.F.)	1			No-load Current	0.89 A
NEMA Nom. Eff.	74	Power Factor	63	Line-line Res. @ 25°C	33 Ω
Rating - Duty	40C AMB-CONT			Temp. Rise @ Rated Load	59°C

Load Characteristics 460 V, 60 Hz, 0.5 HP

% of Rated Load	25	50	75	100	125	150
Power Factor	27	39	51	60	67	72
Efficiency	49.8	65	71.7	74.5	75.6	75.5
Speed	1785	1770	1756	1737	1724	1705
Line amperes	0.9	0.94	0.98	1	1.15	1.27

Performance Graph at 460V, 60Hz, 0.5HP Typical performance - Not guaranteed values



11/21/2016 ACPERF: record # 6627

AC Induction Motor Performance Data
Record # 20790 - Typical performance - not guaranteed values

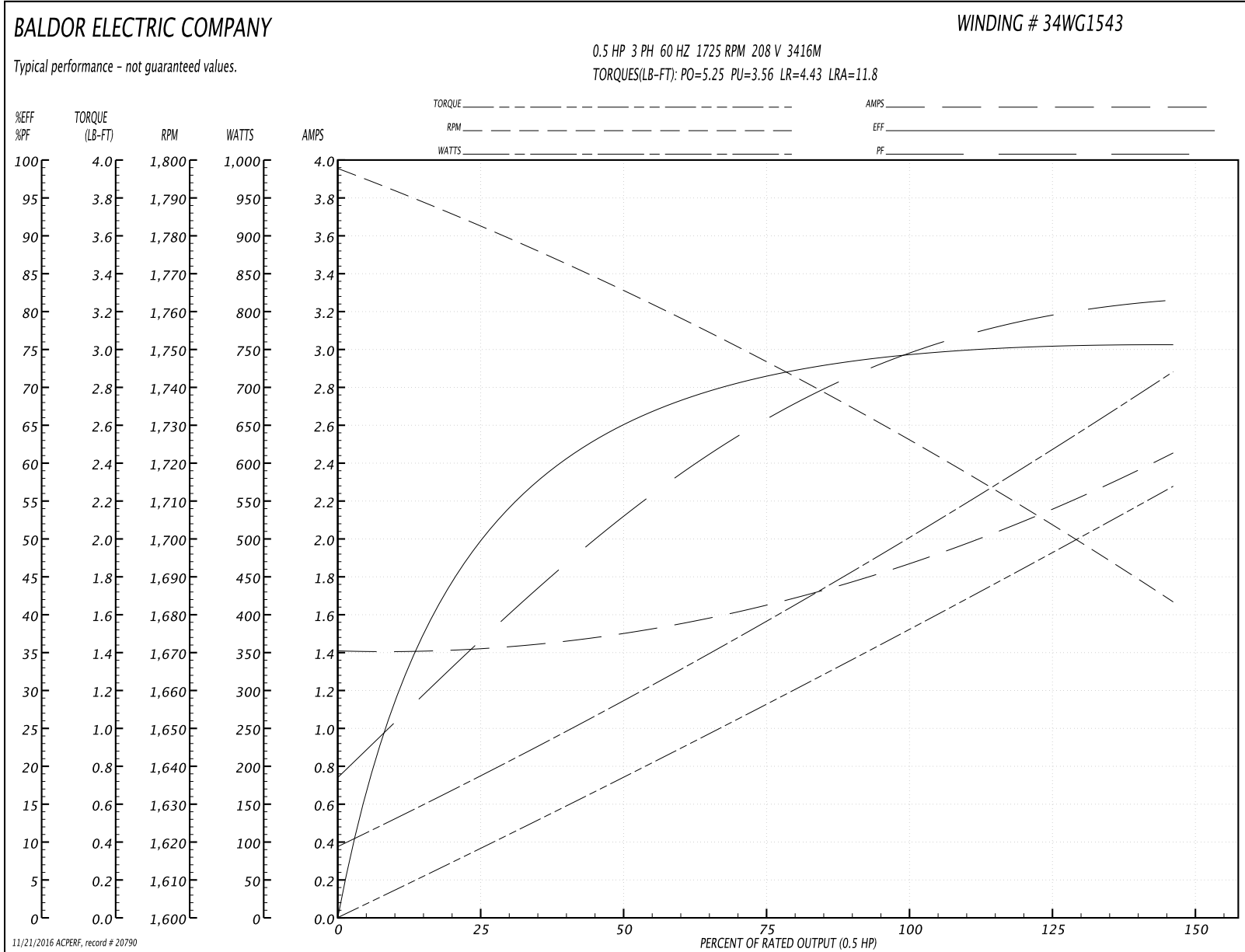
Winding: 34WG1543-R002	Type: 3416M	Enclosure: XPFC
-------------------------------	--------------------	------------------------

Nameplate Data				208 V, 60 Hz: Low Voltage Connection	
Rated Output (HP)	.5			Full Load Torque	1.51 LB-FT
Volts	208-230/460			Start Configuration	direct on line
Full Load Amps	2.1-2/1			Breakdown Torque	5.25 LB-FT
R.P.M.	1725			Pull-up Torque	3.56 LB-FT
Hz	60	Phase	3	Locked-rotor Torque	4.43 LB-FT
NEMA Design Code	B	KVA Code	L	Starting Current	11.8 A
Service Factor (S.F.)	1			No-load Current	1.39 A
NEMA Nom. Eff.	74	Power Factor	63	Line-line Res. @ 25°C	8.35 Ω
Rating - Duty	40C AMB-CONT			Temp. Rise @ Rated Load	50°C
				Locked-rotor Power Factor	65
				Rotor inertia	0.0381 LB-FT ²

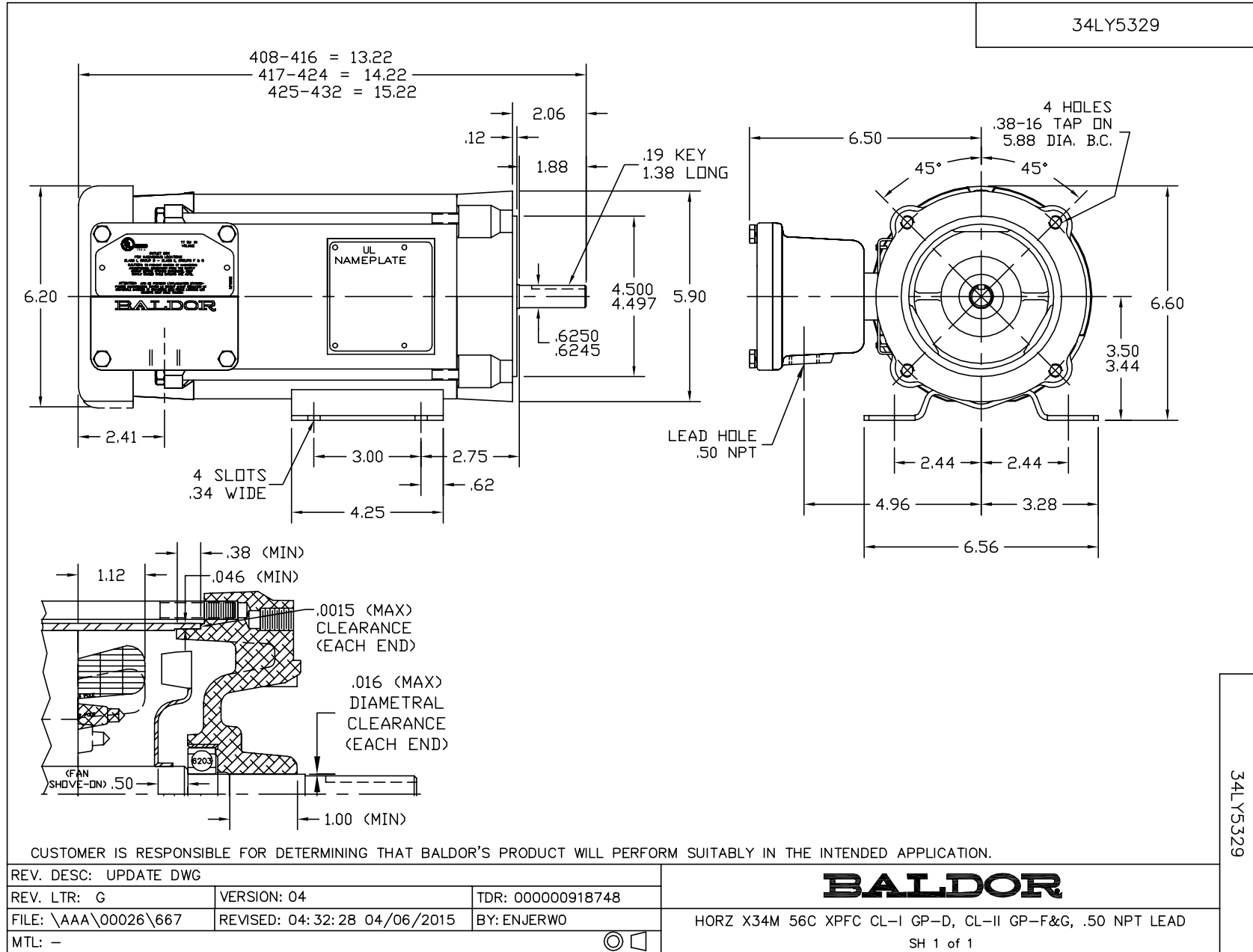
Load Characteristics 208 V, 60 Hz, 0.5 HP

% of Rated Load	25	50	75	100	125	150
Power Factor	37	52	65	77	79	81
Efficiency	49.3	64.9	71.8	74.4	75.5	75.5
Speed	1782	1765	1748	1725	1707	1683
Line amperes	1.43	1.54	1.67	1.79	2.14	2.47

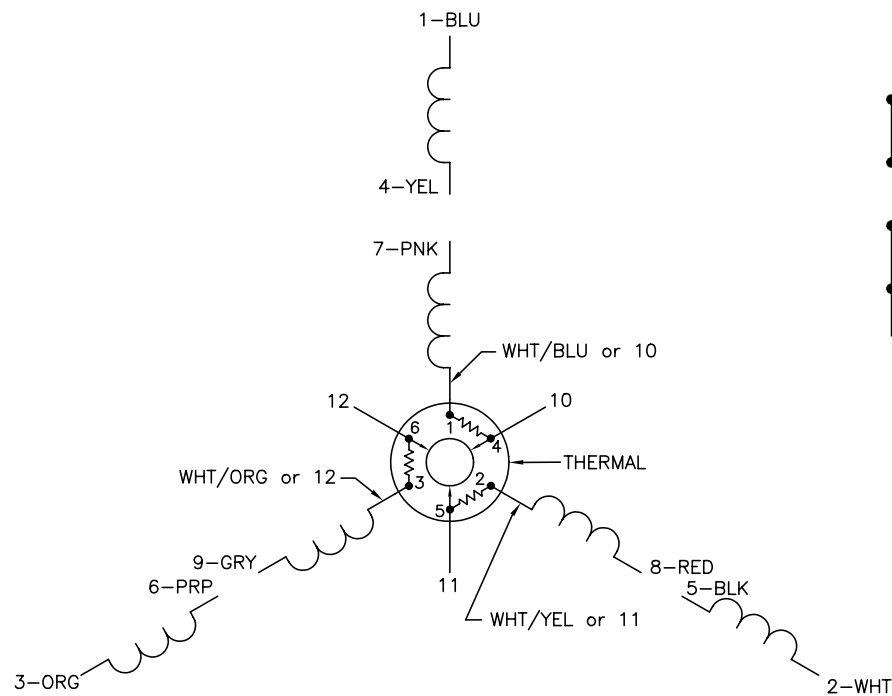
Performance Graph at 208V, 60Hz, 0.5HP Typical performance - Not guaranteed values



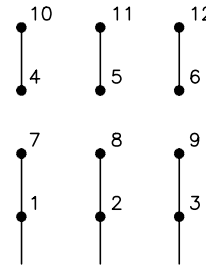
11/21/2016 ACPERF, record # 20790



CD0007

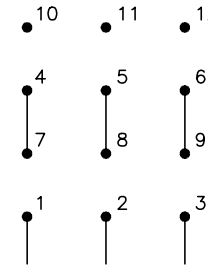


LOW VOLTAGE
(2Y)



LINE

HIGH VOLTAGE
(1Y)



LINE

NOTES:

1. INTERCHANGE ANY TWO LINE LEADS TO REVERSE ROTATION.
2. ACTUAL NUMBER OF INTERNAL PARALLEL CIRCUITS MAY VARY.
3. LEAD COLORS ARE OPTIONAL. LEADS MUST ALWAYS BE NUMBERED AS SHOWN.

REV. DESC: ADDED "CK" PLANT CODE			
REV. LTR: E	BY: EAH	REVISED: 05/06/99 17:1	TDR: 0181040
Z00000		FILE: AAA00008370	MDL: -
		MTL: -	

BALDOR ELECTRIC Co.

3PH, DV, THERMAL, 12 LEADS

CD0007