

BALDOR® • ***RELIANCE***

Product Information Packet

CWDM3457

.33HP,3450RPM,3PH,60HZ,56C,3410M,TENV,F1

Part Detail							
Revision:	A	Status:	PRD/A	Change #:		Proprietary:	No
Type:	AC	Prod. Type:	3410M	Elec. Spec:	34WGY170	CD Diagram:	CD0005
Enclosure:	TENV	Mfg Plant:		Mech. Spec:	34G847	Layout:	34LYG847
Frame:	56C	Mounting:	F1	Poles:	02	Created Date:	12-12-2013
Base:	RG	Rotation:	R	Insulation:	F	Eff. Date:	07-08-2015
Leads:	9#18					Replaced By:	
Literature:		Elec. Diagram:					

Nameplate NP1496L										
CAT.NO.	CWDM3457									
SPEC.	34G847Y170G1									
HP	.33									
VOLTS	208-230/460									
AMP	1.6-1.4/.7									
RPM	3450									
FRAME	56C				HZ	60			PH	3
SER.F.	1.25		CODE	P	DES	B		CLASS	F	
NEMA-NOM-EFF	72		PF	64						
RATING	40C AMB-CONT									
CC	USABLE AT 208V									
DE	6203				ODE	6203				
ENCL	TENV		SN							
	SFA 1.7-1.5/.75									

Parts List		
Part Number	Description	Quantity
SA273518	SA 34G847Y170G1	1.000 EA
RA260114	RA 34G847Y170G1	1.000 EA
NS2512A01	INSULATOR, CONDUIT BOX X	1.000 EA
34CB3002A16WP	CB W/.50 N.P.T. @ 6, WHITE PRIMER P	1.000 EA
34GS1029A03	GASKET, CONDUIT BOX MODEL 34 (WHITE NEOP	1.000 EA
51XB1016A07	10-16 X 7/16 HXWSSLD SERTYB	2.000 EA
11XW1032G06	10-32 X .38, TAPTITE II, HEX WSHR SLTD U	1.000 EA
34EP3100A49W	ENDPLATE, MACH	1.000 EA
HW4032A01	BLACK DRAIN PLUG FOR WASH DOWN MOTORS	3.000 EA
HW5100A03SP	WAVY WASHER (W1543-017)	1.000 EA
12XN1032S20	10-32 X 1-1/4 HEX M.S. , STAINLESS STEEL	2.000 EA
34EP3300A48W	PU ENDPLATE 56C 34-ENCL 203 BRG W/WHITE	1.000 EA
HW4032A01	BLACK DRAIN PLUG FOR WASH DOWN MOTORS	3.000 EA
HW4600A54	SEAL 0.668 X 1.064 X 0.250 DOUBLE SHIELD	1.000 EA
34CB4517WP	CB LID WHITE PRIMER POWDER COAT,4 MTG HO	1.000 EA
34GS1031A03	GASKET, FLAT CONDUIT BOX LID (WHITE NEOP	1.000 EA
59XW0832S07	TAPTITE II,HEX WSHR UNSLTD SER,410 S.S.,	4.000 EA
HW4600B39SP	V-RING SLINGER 0.550 X 0.790 X .18 VITON	1.000 EA
HW2502D13	SS KEY, 3/16 SQ X 1.375	1.000 EA
HA7000A04	KEY RETAINER 0.625 DIA SHAFTS	1.000 EA
MJ5001A27	32220KN GRAY SEALER *MIN BUY 4 QTS=1GAL	0.001 QT
HA5027A01	HA4066A01 T-DRAIN X2 BAGGED	1.000 EA
MG1025W01	WILKOFAS, 781.01, SIGNAL WHITE #9003	0.014 GA
MG1500Y02	PRIMER,347.29+347.29C ACTIVATOR WILKOPON	0.007 GA

Parts List (continued)		
Part Number	Description	Quantity
10XF0440S02	04-40 X 1/8 TYPE F HEX HD STAINLESS STIC	2.000 EA
HA3100S08	THRUBOLT 7.375LG SS	4.000 EA
LC0005	CONN.DIA.,TY M,9-LD,DUAL VOLT,REVERSING	1.000 EA
LB1164	LABEL,WARNING AND DRAIN	1.000 EA
MN416A01	TAG-INSTAL-MAINT no wire (1200/bx) 11/14	1.000 EA
NP1496L	SS WD UL CSA CC	1.000 EA
34PA1002	PKG GRP, PRINT PK1001A01	1.000 EA

AC Induction Motor Performance Data
Record # 44203 - Typical performance - not guaranteed values

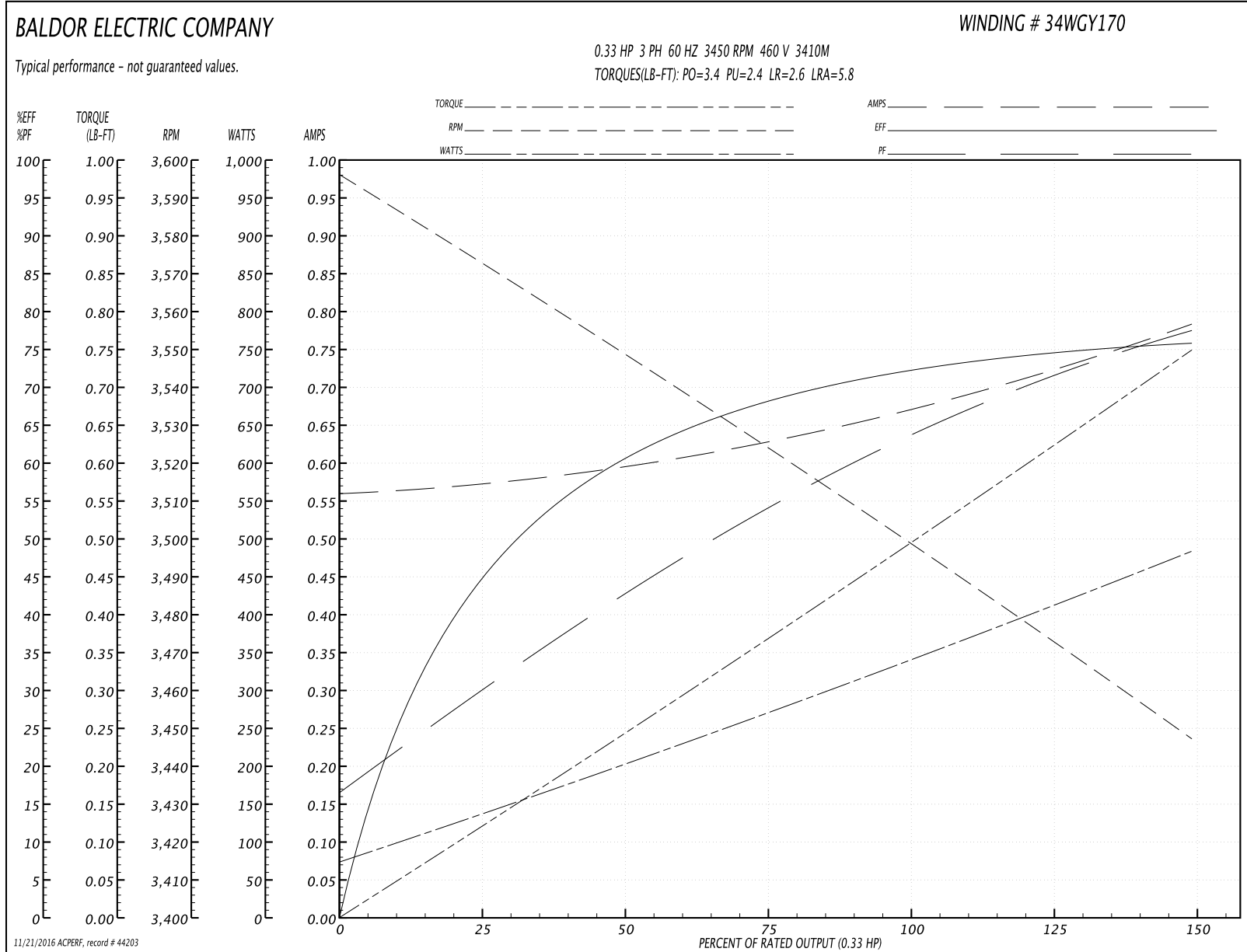
Winding: 34WGY170-R014	Type: 3410M	Enclosure: TENV
-------------------------------	--------------------	------------------------

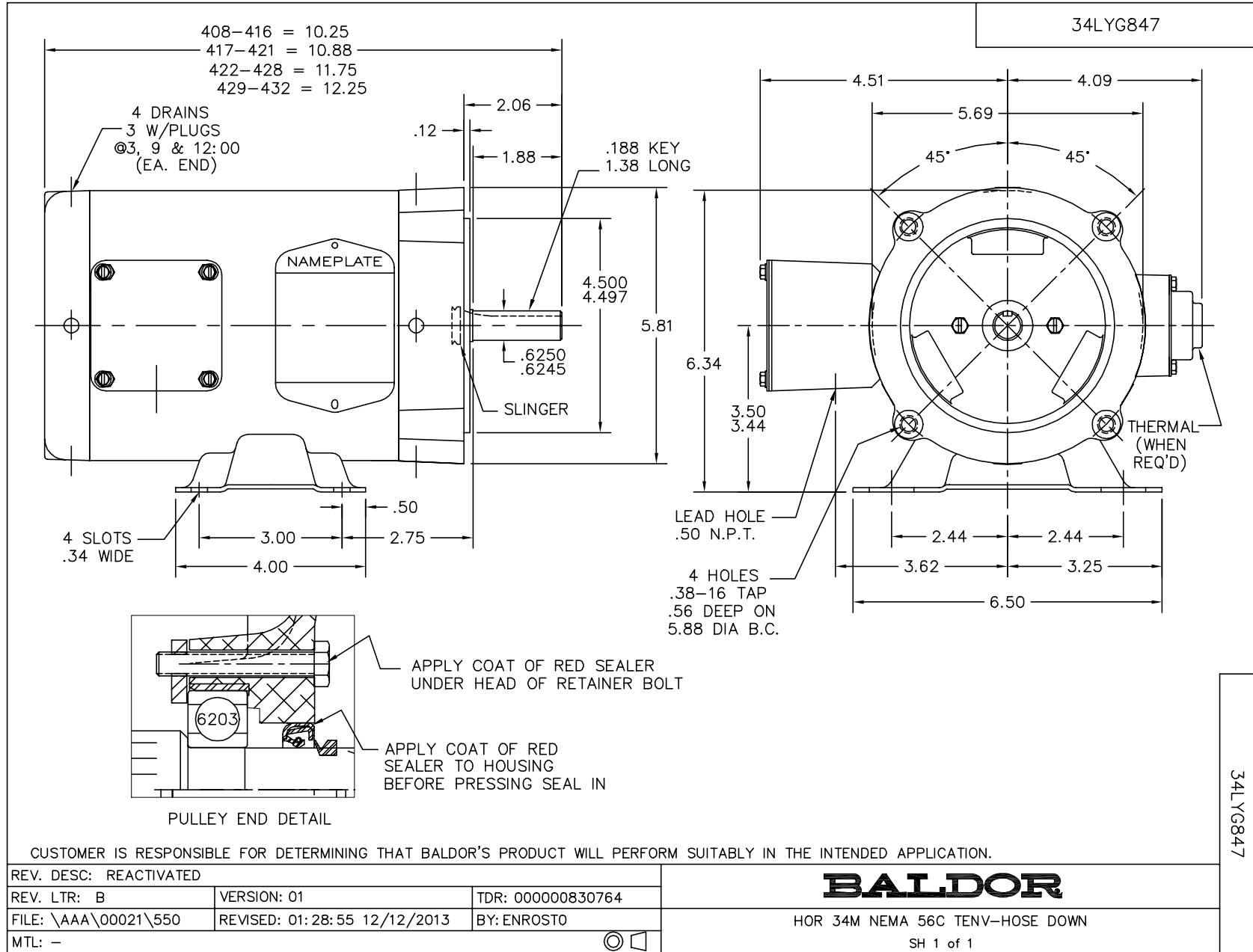
Nameplate Data				460 V, 60 Hz: High Voltage Connection	
Rated Output (HP)	.33			Full Load Torque	0.5 LB-FT
Volts	208-230/460			Start Configuration	direct on line
Full Load Amps	1.6-1.4/.7			Breakdown Torque	3.4 LB-FT
R.P.M.	3450			Pull-up Torque	2.4 LB-FT
Hz	60	Phase	3	Locked-rotor Torque	2.6 LB-FT
NEMA Design Code	B	KVA Code	P	Starting Current	5.8 A
Service Factor (S.F.)	1.15			No-load Current	0.56 A
NEMA Nom. Eff.	72	Power Factor	64	Line-line Res. @ 25°C	31.3 Ω
Rating - Duty	40C AMB-CONT			Temp. Rise @ Rated Load	57°C
S.F. Amps	1.7-1.5/.75			Temp. Rise @ S.F. Load	62°C
				Locked-rotor Power Factor	71
				Rotor inertia	0.0093 LB-FT ²

Load Characteristics 460 V, 60 Hz, 0.33 HP

% of Rated Load	25	50	75	100	125	150	S.F.
Power Factor	29	43	53	64	70	78	73
Efficiency	43.6	61.9	68.2	72.8	74.4	75.8	75
Speed	3569	3544	3526	3497	3477	3444	3464
Line amperes	0.57	0.6	0.63	0.68	0.71	0.79	0.742

Performance Graph at 460V, 60Hz, 0.33HP Typical performance - Not guaranteed values





CD0005



LOW VOLTAGE
(2Y)



LINE

HIGH VOLTAGE
(1Y)



LINE

NOTES:

1. INTERCHANGE ANY TWO LINE LEADS TO REVERSE ROTATION.
2. OPTIONAL THERMOSTATS ARE PROVIDED WHEN SPECIFIED.
3. ACTUAL NUMBER OF INTERNAL PARALLEL CIRCUITS MAY BE A MULTIPLE OF THOSE SHOWN ABOVE.
4. LEAD COLORS ARE OPTIONAL. LEADS MUST ALWAYS BE NUMBERED AS SHOWN.

REV. DESC: REVISE TO SHOW OPTIONAL COLORS			
REV. LTR: E	BY: JLP	REVISED: 01/19/99 10:15	TDR: 0171435
9000D		FILE: AAA00005140	MDL: -
		MTL: -	

BALDOR ELECTRIC Co.

3PH, DV, 9 LEADS

CD0005