

BALDOR® • RELIANCE

Product Information Packet

EBM3211T

3HP,1765RPM,3PH,60HZ,182T,3630M,OPEN,F1

Part Detail							
Revision:	E	Status:	PRD/A	Change #:		Proprietary:	No
Type:	AC	Prod. Type:	3630M	Elec. Spec:	36WGS658	CD Diagram:	CD0005
Enclosure:	OPEN	Mfg Plant:		Mech. Spec:	36B021	Layout:	36LYB021
Frame:	182T	Mounting:	F1	Poles:	04	Created Date:	06-29-2011
Base:	RG	Rotation:	R	Insulation:	F	Eff. Date:	11-02-2015
Leads:	9#16					Replaced By:	
Literature:		Elec. Diagram:					

Nameplate NP1259L										
CAT.NO.	EBM3211T									
SPEC.	36B021S658G1									
HP	3									
VOLTS	230/460									
AMP	8.4/4.2									
RPM	1765									
FRAME	182T				HZ	60			PH	3
SER.F.	1.15		CODE	K	DES	B		CL	F	
NEMA-NOM-EFF	89.5		PF	74						
RATING	40C AMB-CONT									
CC	010A				USABLE AT 208V			8.5		
DE	6206				ODE	6205				
ENCL	OPEN		SN							

Parts List		
Part Number	Description	Quantity
SA226403	SA 36B021S658G1	1.000 EA
RA213501	RA 36B021S658G1	1.000 EA
36CB3004	36 CB CASTING W/1.09 DIA LEAD HOLE @ 6:0	1.000 EA
51XB1016A08	10-16X 1/2HXWSSLD SERTYB	2.000 EA
11XW1032G06	10-32 X .38, TAPTITE II, HEX WSHR SLTD U	1.000 EA
HW3001B01	BRASS CUP WASHER, FOR #8 SCREW	1.000 EA
36EP1403A18	FR EP, FACE OPEN W/BRAKE W/O TIGHTSLEEVE	1.000 EA
HW4500A01	1641B(ALEMITE)400 UNIV, GREASE FITT	1.000 EA
HW5100A05	WVY WSHR F/205 & 304 BRGS	1.000 EA
36PE3201A01	PU ENDPLATE, ASSEMBLY FOR ROUTING	1.000 EA
HW4500A01	1641B(ALEMITE)400 UNIV, GREASE FITT	1.000 EA
HW2501D08	KEY, 3/16 SQ X .875 AUTO	1.000 EA
36CB4516	36 LIPPED CB LID	1.000 EA
51XW0832A07	8-32 X .44, TAPTITE II, HEX WSHR SLTD SE	4.000 EA
HW2501E16	3KEY, 1/4 SQ X 1.750	1.000 EA
HA7000A02	KEY RETAINER RING, 1 1/8 DIA, 1 3/8 DIA	1.000 EA
85XU0407S04	4X1/4 U DRIVE PIN STAINLESS	2.000 EA
MJ1000A02	GREASE, POLYREX EM EXXON (USe 4824-15A)	0.050 LB
84XN3816J28	HEX SOC HD, 3/8-16 X 1.75 LONG	2.000 EA
MG1000Y03	MUNSELL 2.53Y 6.70/ 4.60, GLOSS 20,	0.022 GA
HA3101A45	THRUBOLT- 1/4-20 X 11.125 X	4.000 EA
76BK4100DQF	1-056-041-00-DQF BRAKE TDR# 79345	1.000 EA
LC0005E01	CONN.DIA./WARNING LABEL (LC0005/LB1119N)	1.000 EA
NP1259L	ALUM SUPER-E UL CSA-EEV CC NEMA PREMIUM	1.000 EA

Parts List (continued)		
Part Number	Description	Quantity
G7PA1000	PKG GRP, PRINT PK1034A06	1.000 EA
MN416A01	TAG-INSTAL-MAINT no wire (1200/bx) 11/14	1.000 EA

AC Induction Motor Performance Data

Record # 33604 - Typical performance - not guaranteed values

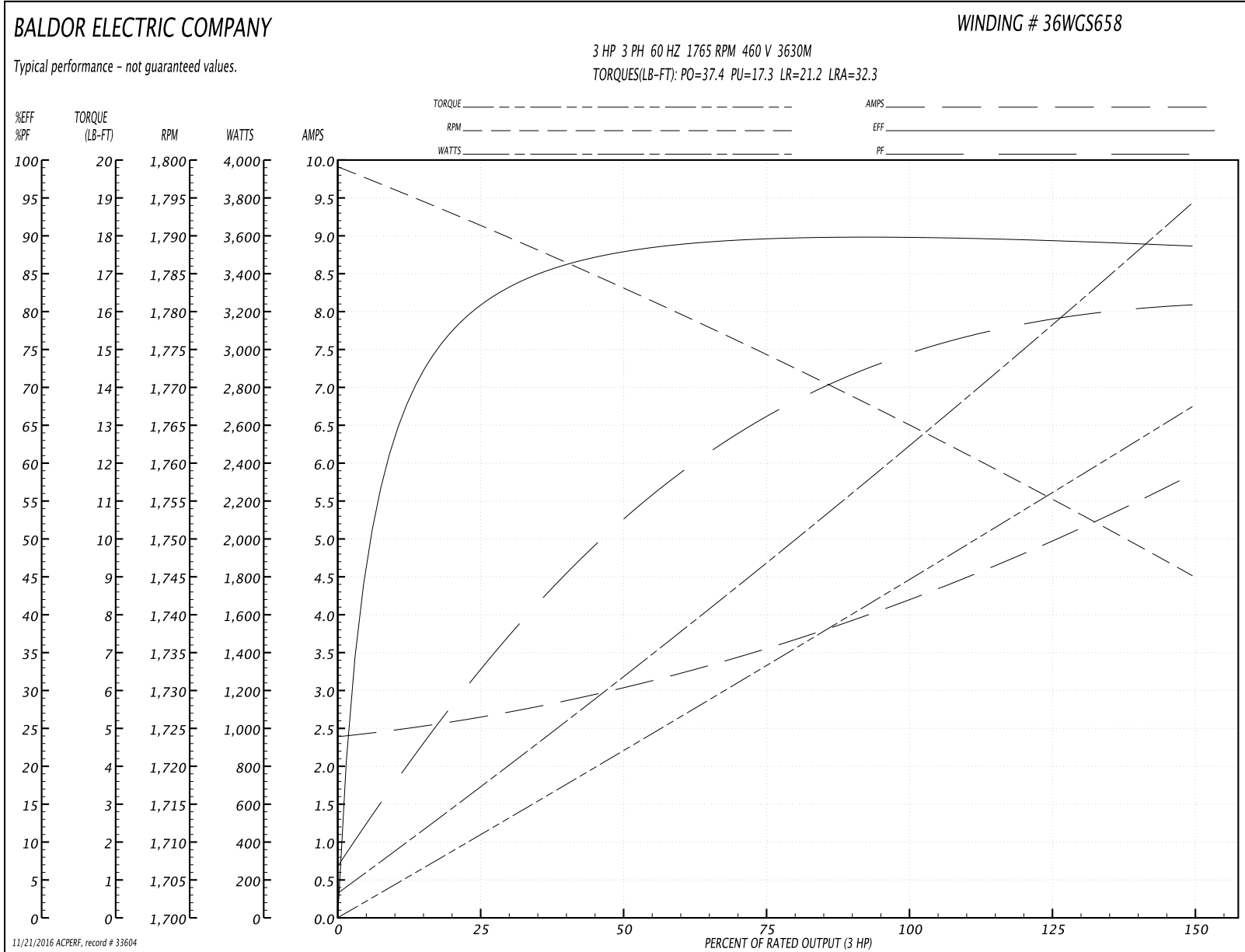
Winding: 36WGS658-R001	Type: 3630M	Enclosure: OPSB
-------------------------------	--------------------	------------------------

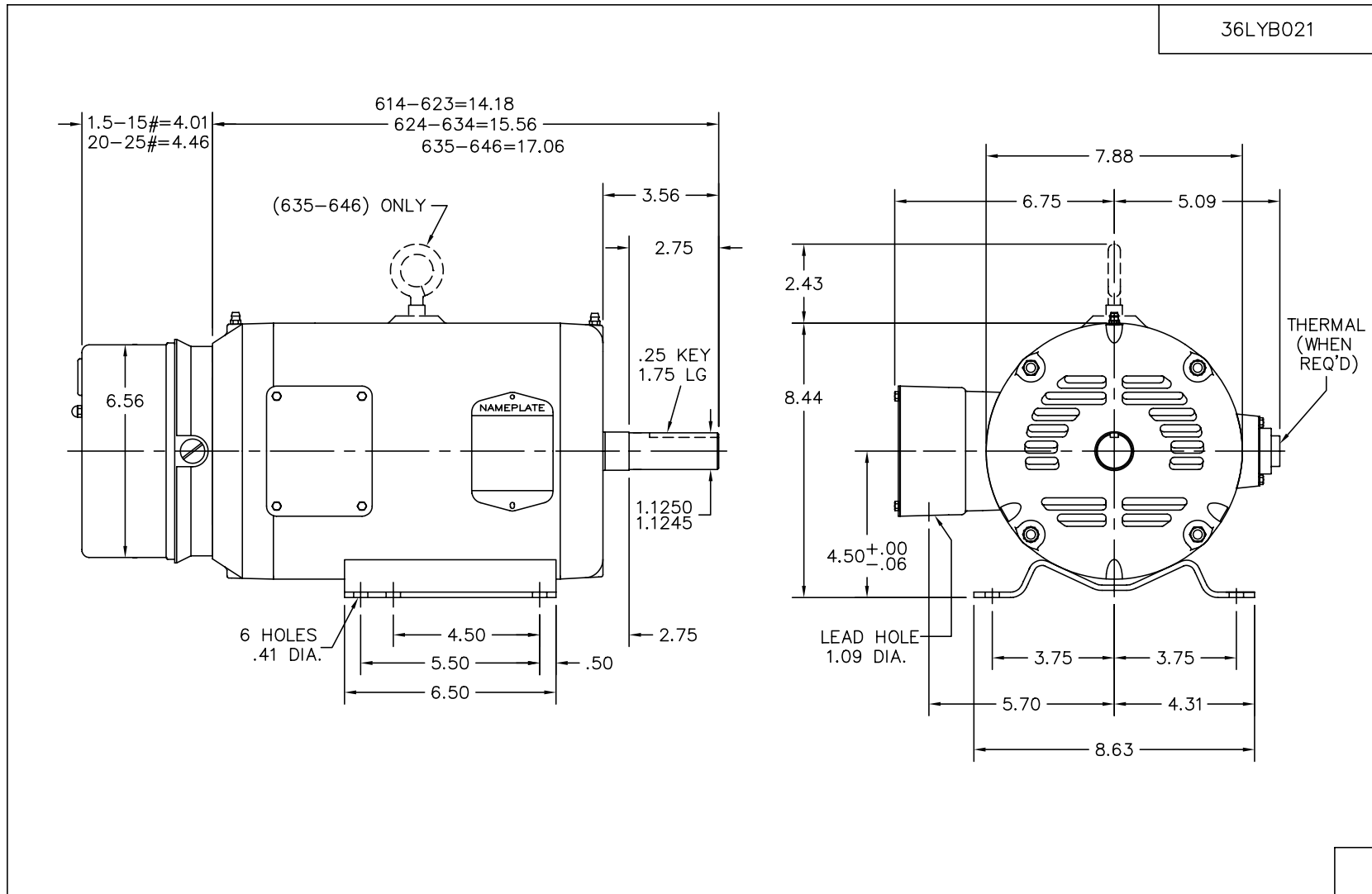
Nameplate Data				460 V, 60 Hz: High Voltage Connection	
Rated Output (HP)	3			Full Load Torque	8.87 LB-FT
Volts	230/460			Start Configuration	direct on line
Full Load Amps	8.4/4.2			Breakdown Torque	37.4 LB-FT
R.P.M.	1765			Pull-up Torque	17.3 LB-FT
Hz	60	Phase	3	Locked-rotor Torque	21.2 LB-FT
NEMA Design Code	B	KVA Code	K	Starting Current	32.3 A
Service Factor (S.F.)	1.15			No-load Current	2.43 A
NEMA Nom. Eff.	89.5	Power Factor	74	Line-line Res. @ 25°C	3.8716 Ω
Rating - Duty	40C AMB-CONT			Temp. Rise @ Rated Load	24°C
S.F. Amps				Temp. Rise @ S.F. Load	28°C
				Locked-rotor Power Factor	43
				Rotor inertia	0.279 LB-FT ²

Load Characteristics 460 V, 60 Hz, 3 HP

% of Rated Load	25	50	75	100	125	150	S.F.
Power Factor	33	53	66	73	79	81	77
Efficiency	80.2	87.5	89.5	89.7	89.5	88.7	89.6
Speed	1791.1	1783	1774.5	1765.5	1755.7	1744.8	1760
Line amperes	2.6	2.99	3.54	4.25	4.97	5.83	4.68

Performance Graph at 460V, 60Hz, 3.0HP Typical performance - Not guaranteed values





36LYB021

CUST. NAME		CUST. P.O.		CERTIFIED BY		MODEL		INSUL		AMB	
H.P.		MTG		TYPE		R.P.M.		VOLTS		ENCL	
REV. LTR: G		BY: JD		REVISED: 05/19/99 3:57		TDR: 0181963		PHASE		FREQ	
36LYB021		FILE: AAA00003566		MDL: -		MTL: -		FRAME		BALDOR ELECTRIC Co.	
								STANDARD HORZ NEMA 182-4T OPEN 36M W/BRAKE			

36LYB021

CD0005



LOW VOLTAGE
(2Y)



LINE

HIGH VOLTAGE
(1Y)



LINE

NOTES:

1. INTERCHANGE ANY TWO LINE LEADS TO REVERSE ROTATION.
2. OPTIONAL THERMOSTATS ARE PROVIDED WHEN SPECIFIED.
3. ACTUAL NUMBER OF INTERNAL PARALLEL CIRCUITS MAY BE A MULTIPLE OF THOSE SHOWN ABOVE.
4. LEAD COLORS ARE OPTIONAL. LEADS MUST ALWAYS BE NUMBERED AS SHOWN.

REV. DESC: REVISE TO SHOW OPTIONAL COLORS			
REV. LTR: E	BY: JLP	REVISED: 01/19/99 10:15	TDR: 0171435
90000		FILE: AAA00005140	MDL: -
		MTL: -	

BALDOR ELECTRIC Co.

3PH, DV, 9 LEADS

CD0005