

# **BALDOR**® • **RELIANCE**

## **Product Information Packet**

# **EBM3313T**

**10HP,1770RPM,3PH,60HZ,215T,3739M,OPEN,F1**

Part Detail							
Revision:	G	Status:	PRD/A	Change #:		Proprietary:	No
Type:	AC	Prod. Type:	3739M	Elec. Spec:	37WGT853	CD Diagram:	CD0005
Enclosure:	OPEN	Mfg Plant:		Mech. Spec:	37B021	Layout:	37LYB021
Frame:	215T	Mounting:	F1	Poles:	04	Created Date:	04-09-2010
Base:	RG	Rotation:	R	Insulation:	F	Eff. Date:	10-26-2016
Leads:	9#14					Replaced By:	
Literature:		Elec. Diagram:					

Nameplate NP1259L										
CAT.NO.	EBM3313T									
SPEC.	37B021T853G1									
HP	10									
VOLTS	230/460									
AMP	25/12.5									
RPM	1770									
FRAME	215T				HZ	60			PH	3
SER.F.	1.15		CODE	H	DES	B		CL	F	
NEMA-NOM-EFF	91.7		PF	82						
RATING	40C AMB-CONT									
CC	010A				USABLE AT 208V			26		
DE	6307				ODE	6306				
ENCL	OPEN		SN							

Parts List		
Part Number	Description	Quantity
SA193360	SA 37B021T853G1	1.000 EA
RA180973	RA 37B021T853G1	1.000 EA
HW3200A01	3/8-16X3/4 I-BLT WELDED F/S	1.000 EA
37CB3006	37 CB CASTING W/1.38 LEAD HOLE @ 6:00	1.000 EA
51XW2520A12	.25-20 X .75, TAPTITE II, HEX WSHR SLTD	2.000 EA
11XW1032G06	10-32 X .38, TAPTITE II, HEX WSHR SLTD U	1.000 EA
37EP1401A01	FR ENDPLATE, MACH	1.000 EA
HW4500A01	1641B(ALEMITE)400 UNIV, GREASE FITT	1.000 EA
HW5100A07	W2816-030 WVY WASHER (WB)	1.000 EA
37PE3201A01	PU ENDPLATE ASSEMBLY FOR ROUTING	1.000 EA
HW4500A01	1641B(ALEMITE)400 UNIV, GREASE FITT	1.000 EA
XY3118A12	5/16-18 HEX NUT DIRECTIONAL SERRATION	4.000 EA
HW2501E16	3KEY, 1/4 SQ X 1.750	1.000 EA
84XN5013L12	.50-13 X .75 NYLOK TYPE HEX.SOC.HD.CAP S	4.000 EA
37CB4516	LIPPED LID FOR 37 FRAME NEC KOBX	1.000 EA
51XW0832A07	8-32 X .44, TAPTITE II, HEX WSHR SLTD SE	4.000 EA
HW2501F21	KEY, 5/16 SQ X 2.375	1.000 EA
HA7000A02	KEY RETAINER RING, 1 1/8 DIA, 1 3/8 DIA	1.000 EA
85XU0407S04	4X1/4 U DRIVE PIN STAINLESS	2.000 EA
LB1115N	LABEL,LIFTING DEVICE (ON ROLLS)	1.000 EA
MJ1000A02	GREASE, POLYREX EM EXXON (USe 4824-15A)	0.050 LB
MG1000Y03	MUNSELL 2.53Y 6.70/ 4.60, GLOSS 20,	0.028 GA
HA3104A17	5/16-18X13.250 T-BLT/OHIO	4.000 EA
87BK5100EQF	87BK51000QF W/BR2703E01	1.000 EA

<b>Parts List (continued)</b>		
<b>Part Number</b>	<b>Description</b>	<b>Quantity</b>
LC0005E01	CONN.DIA./WARNING LABEL (LC0005/LB1119N)	1.000 EA
NP1259L	ALUM SUPER-E UL CSA-EEV CC NEMA PREMIUM	1.000 EA
37PA1039	PALLET PACK GROUP, BLANK PK1148	1.000 EA
MN416A01	TAG-INSTAL-MAINT no wire (1200/bx) 11/14	1.000 EA

**AC Induction Motor Performance Data**

Record # 53404 - Typical performance - not guaranteed values

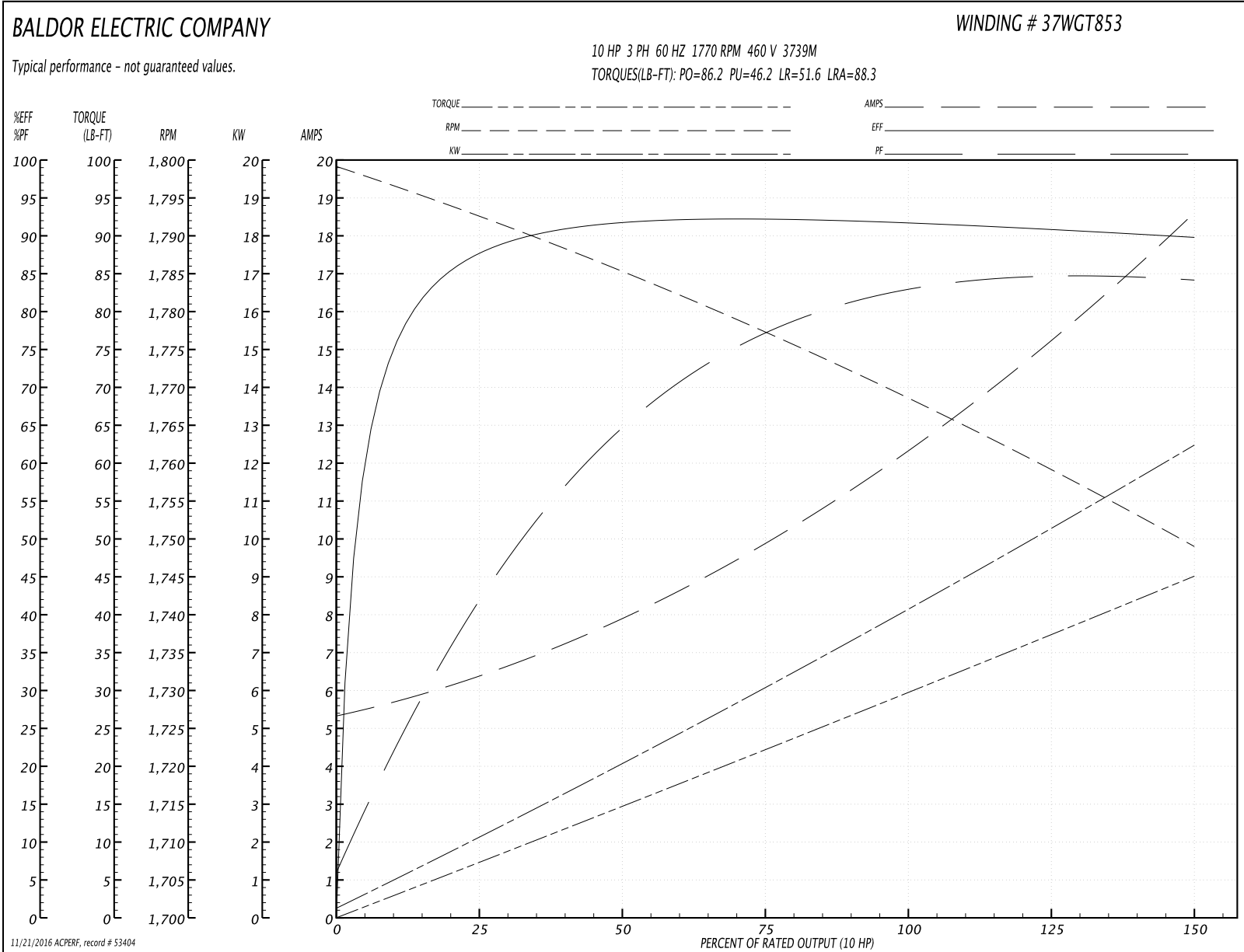
<b>Winding:</b> 37WGT853-R026	<b>Type:</b> 3739M	<b>Enclosure:</b> OPSB
-------------------------------	--------------------	------------------------

Nameplate Data				460 V, 60 Hz: High Voltage Connection	
Rated Output (HP)	10			Full Load Torque	29.7 LB-FT
Volts	230/460			Start Configuration	direct on line
Full Load Amps	25/12.5			Breakdown Torque	86.2 LB-FT
R.P.M.	1770			Pull-up Torque	46.2 LB-FT
Hz	60	Phase	3	Locked-rotor Torque	51.6 LB-FT
NEMA Design Code	B	KVA Code	H	Starting Current	88.3 A
Service Factor (S.F.)	1.15			No-load Current	5.51 A
NEMA Nom. Eff.	91.7	Power Factor	82	Line-line Res. @ 25°C	1.18 Ω
Rating - Duty	40C AMB-CONT			Temp. Rise @ Rated Load	34°C
S.F. Amps				Temp. Rise @ S.F. Load	42°C
				Locked-rotor Power Factor	38
				Rotor inertia	0.959 LB-FT <sup>2</sup>

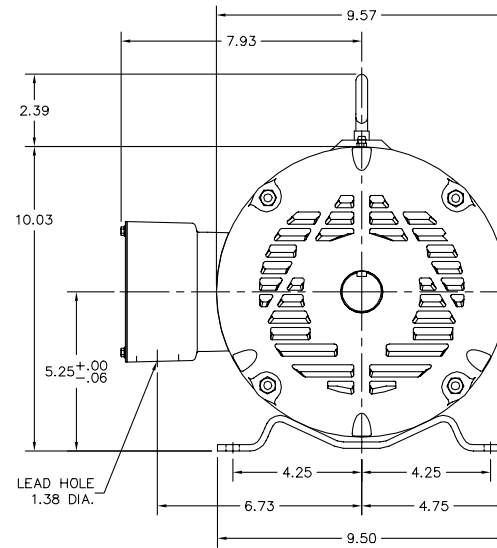
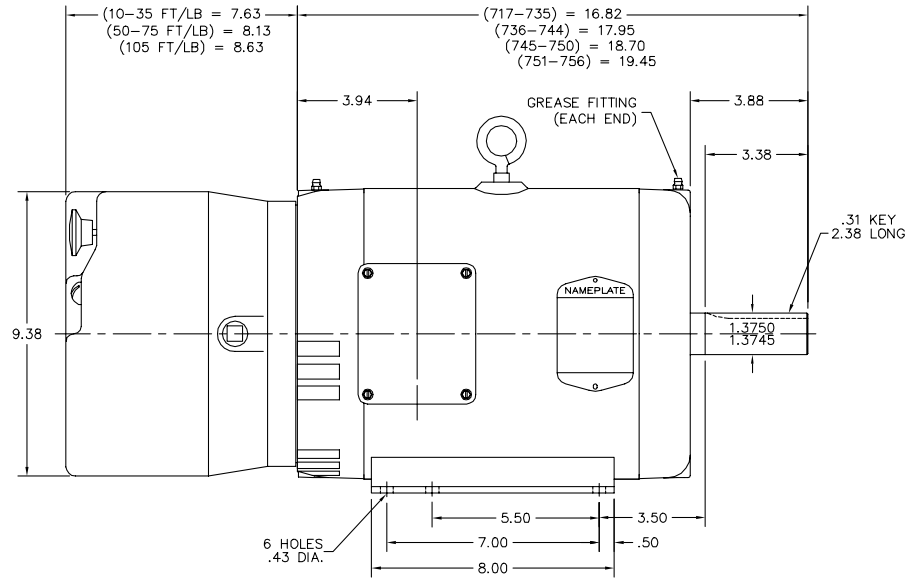
Load Characteristics 460 V, 60 Hz, 10 HP

% of Rated Load	25	50	75	100	125	150	S.F.
Power Factor	44	66	77	82	84	85	83
Efficiency	87.6	91.6	92.3	91.9	91	89.8	91.4
Speed	1793	1785	1777	1769	1759	1749	1763
Line amperes	6.15	7.79	9.93	12.5	15.3	18.5	14.2

Performance Graph at 460V, 60Hz, 10.0HP Typical performance - Not guaranteed values



37LYB021



CUSTOMER IS RESPONSIBLE FOR DETERMINING THAT MOTOR PERFORMANCE IS SUITABLE IN THE APPLICATION.

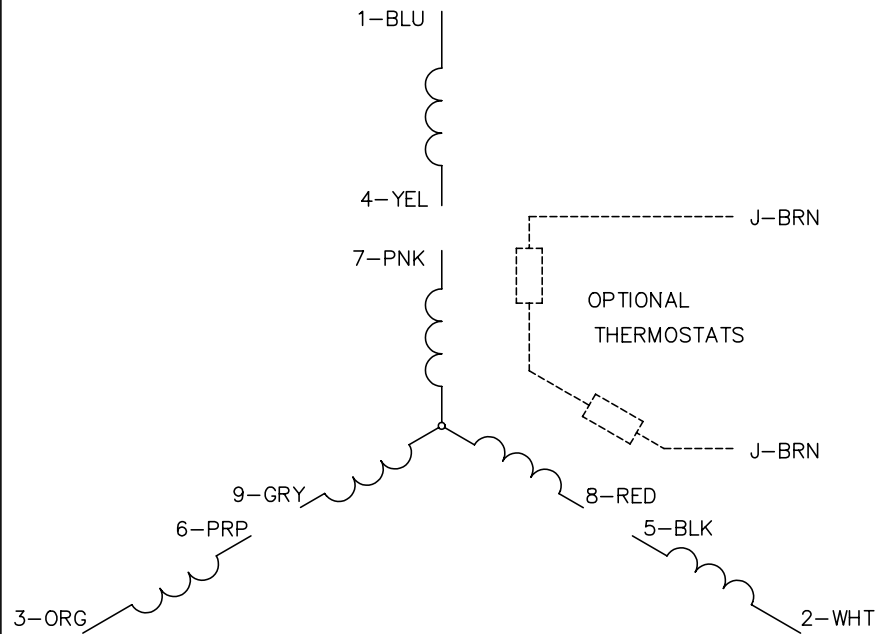
REV. DESC: UPDATED STACKS		
REV. LTR: F	VERSION: 01	TDR: 000000403160
FILE: \AAA\00005\317	REVISED: 13:00:49 07/24/2006	BY: ENBRAMO
MTL: -		

**BALDOR ELECTRIC Co.**

STD HORZ 213-5T OPEN 37M W/ 87BK BRAKE

37LYB021

CD0005



LOW VOLTAGE  
(2Y)



LINE

HIGH VOLTAGE  
(1Y)



LINE

NOTES:

1. INTERCHANGE ANY TWO LINE LEADS TO REVERSE ROTATION.
2. OPTIONAL THERMOSTATS ARE PROVIDED WHEN SPECIFIED.
3. ACTUAL NUMBER OF INTERNAL PARALLEL CIRCUITS MAY BE A MULTIPLE OF THOSE SHOWN ABOVE.
4. LEAD COLORS ARE OPTIONAL. LEADS MUST ALWAYS BE NUMBERED AS SHOWN.

REV. DESC: REVISE TO SHOW OPTIONAL COLORS			
REV. LTR: E	BY: JLP	REVISED: 01/19/99 10:15	TDR: 0171435
900000		FILE: AAA00005140	MDL: -
		MTL: -	

**BALDOR ELECTRIC Co.**

3PH, DV, 9 LEADS

CD0005