

# **BALDOR**® • **RELIANCE**

## **Product Information Packet**

# **ECTM3774T**

**10 AIR OVERHP,1760RPM,3PH,60HZ,213T,0748**

| Part Detail |      |                |       |             |          |               |            |
|-------------|------|----------------|-------|-------------|----------|---------------|------------|
| Revision:   | E    | Status:        | PRD/A | Change #:   |          | Proprietary:  | No         |
| Type:       | AC   | Prod. Type:    | 0748M | Elec. Spec: | 07WGY179 | CD Diagram:   | CD0005     |
| Enclosure:  | TEAO | Mfg Plant:     |       | Mech. Spec: | 07N391   | Layout:       | 07LYN391   |
| Frame:      | 213T | Mounting:      | F1    | Poles:      | 04       | Created Date: | 08-14-2015 |
| Base:       | RG   | Rotation:      | R     | Insulation: | F        | Eff. Date:    | 06-16-2016 |
| Leads:      | 9#14 |                |       |             |          | Replaced By:  |            |
| Literature: |      | Elec. Diagram: |       |             |          |               |            |

## Nameplate NP1260E

|              |                  |  |      |      |                     |
|--------------|------------------|--|------|------|---------------------|
| CAT.NO.      | ECTM3774T        |  |      |      |                     |
| SPEC.        | 07N391Y179G1     |  |      |      |                     |
| HP           | 10 AIR OVER      |  |      |      |                     |
| VOLTS        | 208-230/460      |  |      |      |                     |
| AMP          | 26.5-24.4/12.2   |  |      |      |                     |
| RPM          | 1760             |  |      |      |                     |
| FRAME        | 213T             |  | HZ   | 60   |                     |
| SER.F.       | 1.15             |  | CODE | H    | DES B               |
| NEMA-NOM-EFF | 91.7             |  | PF   | 83   |                     |
| RATING       | 40C AMB-CONT     |  |      |      |                     |
| CC           |                  |  |      |      | USABLE AT 208V 26.5 |
| DE           | 6307             |  | ODE  | 6206 |                     |
| ENCL         | TEAO             |  | SN   |      |                     |
|              | 1700 FPM 170 CFM |  |      |      |                     |

| Parts List   |  |          |
|--------------|--|----------|
| Part Number  | Description                              | Quantity |
| SA306957     | SA 07N391Y179G1                          | 1.000 EA |
| RA294232     | RA 07N391Y179G1                          | 1.000 EA |
| HW3201A05    | 3/8-16 EYEBOLT                           | 1.000 EA |
| HA7205       | "L" SHAPE LIFTING LUG FOR 37,39 & 40 FRA | 2.000 EA |
| 09CB1002A26G | KOBX W/1.00 NPT LD HL .25-20 TAP FOR LID | 1.000 EA |
| RM1017       | LEAD SEPERATOR GASKET MODEL 307 1/8" THK | 1.000 EA |
| 51XW2520A12  | .25-20 X .75, TAPTITE II, HEX WSHR SLTD  | 2.000 EA |
| 11XW1032G06  | 10-32 X .38, TAPTITE II, HEX WSHR SLTD U | 1.000 EA |
| HW3001B01    | BRASS CUP WASHER, FOR #8 SCREW           | 1.000 EA |
| HA4044A00    | PLUG,PIPE 1/8 NPT PLASTIC SQUARE HEAD    | 2.000 EA |
| 10XN2520A28  | 1/4-20X 1 3/4 HEX HD                     | 4.000 EA |
| 10XN2520S06  | 1/4 20X3/8 HX HD CAP S.S.                | 2.000 EA |
| WD1000B16    | T&B CX70TN TERMINAL                      | 2.000 EA |
| 37EP1100D74G | FRONT TENV 37M 206 BRG COOLING TOWER W/O | 1.000 EA |
| HA4054       | SHORT T-DRAIN FITTING, .125" N.P.T.      | 1.000 EA |
| HA4044A00    | PLUG,PIPE 1/8 NPT PLASTIC SQUARE HEAD    | 2.000 EA |
| 51XN1032A22  | 10-32 X 1 3/8 HX WS SL SR                | 2.000 EA |
| HW5100A06    | W2420-025 WVY WSHR (WB)                  | 1.000 EA |
| 37EP1101C77G | PULLEY 213-5T ENCL 307 BRG COOLING TOWER | 1.000 EA |
| HW4600B51    | SEAL 1.375 X 2.125 X 0.313 SINGLE LIP DB | 1.000 EA |
| HA4054       | SHORT T-DRAIN FITTING, .125" N.P.T.      | 1.000 EA |
| HA4044A00    | PLUG,PIPE 1/8 NPT PLASTIC SQUARE HEAD    | 2.000 EA |
| XY3118A12    | 5/16-18 HEX NUT DIRECTIONAL SERRATION    | 4.000 EA |
| 12CB1503A01G | CONDUIT BOX LID, MACH, WITH LIP,GREY     | 1.000 EA |

| <b>Parts List (continued)</b> |  |                 |
|-------------------------------|--|-----------------|
| <b>Part Number</b>            | <b>Description</b>                       | <b>Quantity</b> |
| 12GS1002                      | GASKET, CONDUIT BOX LID, NEOP            | 1.000 EA        |
| 10XN2520A24                   | 1/4-20X 1 1/2 HEX HD X                   | 2.000 EA        |
| HW1001A25                     | LOCKWASHER 1/4, ZINC PLT .493 OD, .255 I | 2.000 EA        |
| HW2501F21                     | KEY, 5/16 SQ X 2.375                     | 1.000 EA        |
| HA7000A02                     | KEY RETAINER RING, 1 1/8 DIA, 1 3/8 DIA  | 1.000 EA        |
| HW4600B33                     | V-RING SLINGER 1.375 X 1.890 X .35 VITON | 1.000 EA        |
| HW4600G52                     | DOME SLINGER, 5.438 OD X 1.370/1.320 ID  | 1.000 EA        |
| MJ5001A27                     | 32220KN GRAY SEALER *MIN BUY 4 QTS=1GAL  | 0.001 QT        |
| MJ5001A02                     | 732 CL SEALANT 3 OZ DIXIE BEARING 289100 | 1.000 EA        |
| 85XU0407S04                   | 4X1/4 U DRIVE PIN STAINLESS              | 2.000 EA        |
| LB1115N                       | LABEL,LIFTING DEVICE (ON ROLLS)          | 1.000 EA        |
| LB1182                        | WARNING LABEL FOR MOTORS WITH EYENUTS    | 1.000 EA        |
| MJ1000A02                     | GREASE, POLYREX EM EXXON (USe 4824-15A)  | 0.050 LB        |
| HA3104A28                     | THRUBOLT .31-18 X 13.062                 | 4.000 EA        |
| MG1025G29                     | WILKOFASST, 789.229, DARK CHARCOAL GRAY  | 0.036 GA        |
| LC0005E01                     | CONN.DIA./WARNING LABEL (LC0005/LB1119N) | 1.000 EA        |
| NP1260E                       | SS CP SUPER-E UL CSA CC                  | 1.000 EA        |
| 07PA1011                      | PKG GRP, 07 CAST IRON PK1181             | 1.000 EA        |
| 10XL3808A28                   | 3/8 X 1 3/4" LAG SCREW                   | 2.000 EA        |
| MN416A01                      | TAG-INSTAL-MAINT no wire (1000/bx) 11/14 | 1.000 EA        |
| LB1417                        | LABEL CARTON 6X4 PERFORATED BLANK ROLLS  | 1.000 EA        |

**AC Induction Motor Performance Data**

Record # 35568 - Typical performance - not guaranteed values

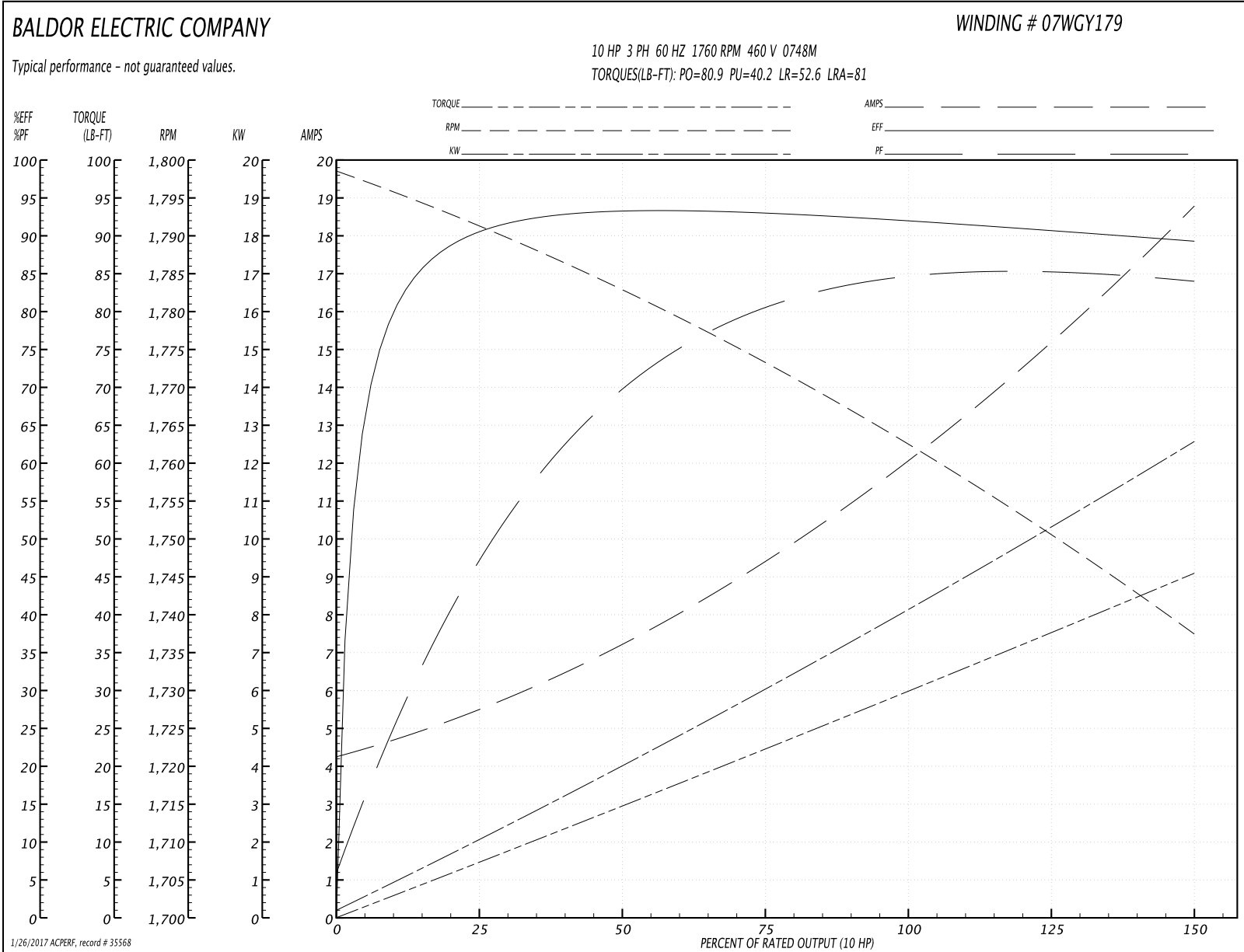
|                               |                    |                        |
|-------------------------------|--------------------|------------------------|
| <b>Winding:</b> 07WGY179-R006 | <b>Type:</b> 0748M | <b>Enclosure:</b> TEAO |
|-------------------------------|--------------------|------------------------|

| Nameplate Data        |                |              |    | 460 V, 60 Hz:<br>High Voltage Connection |                         |
|-----------------------|----------------|--------------|----|--|-------------------------|
| Rated Output (HP)     | 10 AIR OVER    |              |    | Full Load Torque                         | 29.8 LB-FT              |
| Volts                 | 208-230/460    |              |    | Start Configuration                      | direct on line          |
| Full Load Amps        | 26.5-24.4/12.2 |              |    | Breakdown Torque                         | 80.9 LB-FT              |
| R.P.M.                | 1760           |              |    | Pull-up Torque                           | 40.2 LB-FT              |
| Hz                    | 60             | Phase        | 3  | Locked-rotor Torque                      | 52.6 LB-FT              |
| NEMA Design Code      | B              | KVA Code     | H  | Starting Current                         | 81 A                    |
| Service Factor (S.F.) | 1.15           |              |    | No-load Current                          | 4.44 A                  |
| NEMA Nom. Eff.        | 91.7           | Power Factor | 83 | Line-line Res. @ 25°C                    | 1.08 Ω                  |
| Rating - Duty         | 40C AMB-CONT   |              |    | Temp. Rise @ Rated Load                  | 64°C                    |
| S.F. Amps             |                |              |    | Temp. Rise @ S.F. Load                   | 80°C                    |
|                       |                |              |    | Locked-rotor Power Factor                | 35                      |
|                       |                |              |    | Rotor inertia                            | 1.18 LB-FT <sup>2</sup> |

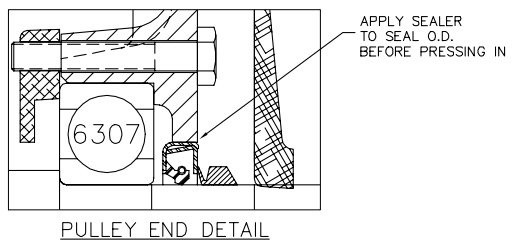
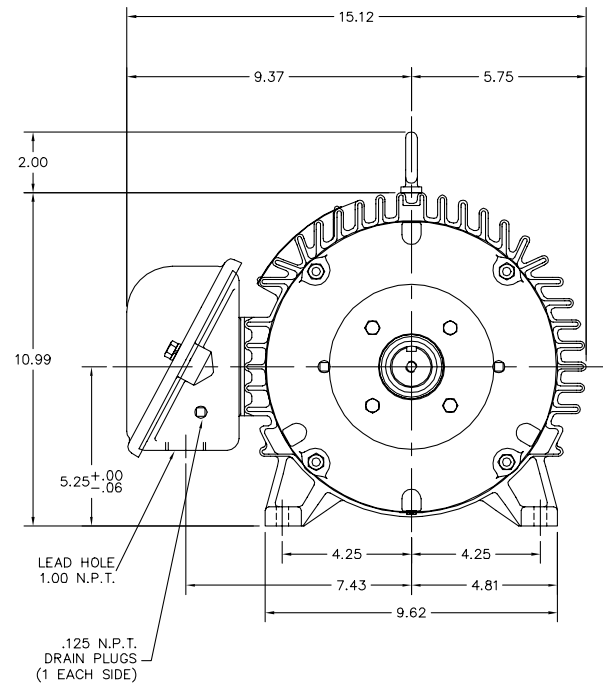
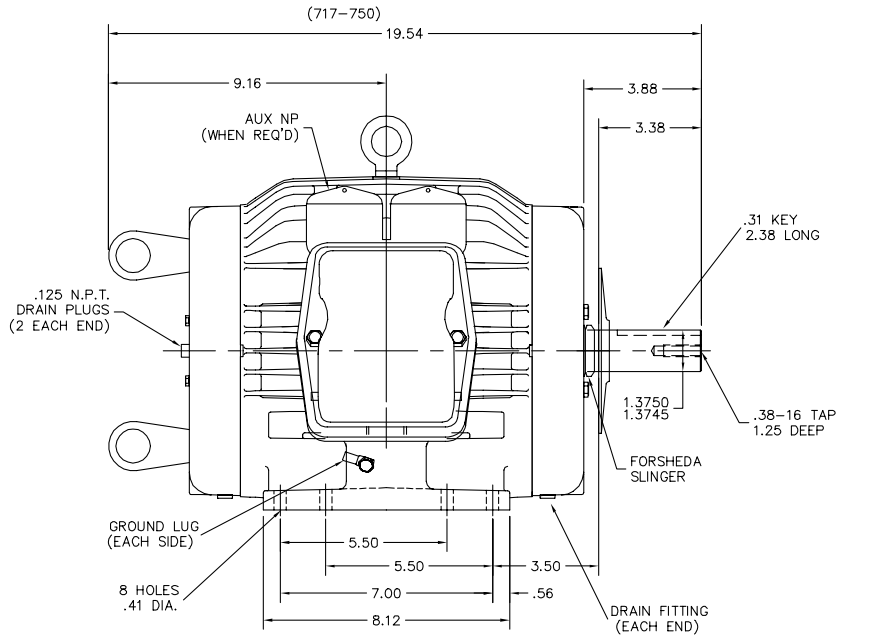
Load Characteristics 460 V, 60 Hz, 10 HP

| % of Rated Load | 25   | 50   | 75   | 100  | 125  | 150  | S.F. |
|-----------------|------|------|------|------|------|------|------|
| Power Factor    | 50   | 71   | 80   | 83   | 85   | 85   | 84   |
| Efficiency      | 90.4 | 92.5 | 92.9 | 92.4 | 91   | 89.1 | 91.6 |
| Speed           | 1791 | 1782 | 1774 | 1763 | 1751 | 1737 | 1756 |
| Line amperes    | 5.24 | 7.1  | 9.42 | 12.2 | 15.2 | 18.7 | 14   |

Performance Graph at 460V, 60Hz, 10.0HP Typical performance - Not guaranteed values



07LYN391



NOTE:  
FOR VERTICAL SHAFT UP LIFTING,  
REMOVE EYE BOLT FROM TOP OF MOTOR  
AND SCREW INTO END OF SHAFT

07LYN391

CUSTOMER IS RESPONSIBLE FOR DETERMINING THAT BALDOR'S PRODUCT WILL PERFORM SUITABLY IN THE INTENDED APPLICATION.

|  |                              |                   |
|--|------------------------------|-------------------|
| REV. DESC: REPLACE 07SH2887 W/07SH2955 | VERSION: 01                  | TDR: 000000964179 |
| REV. LTR: A                            | REVISED: 08:26:01 02/02/2016 | BY: ENALEMO       |
| FILE: \AAA\00220\883                   | MTL: -                       |                   |

**BALDOR**

HOR 213-5T TEAO CP COOL TOWER, LIFT, SLD BRGS, SEAL, DOME SL

SH 1 of 1

CD0005



LOW VOLTAGE  
(2Y)



LINE

HIGH VOLTAGE  
(1Y)



LINE

NOTES:

1. INTERCHANGE ANY TWO LINE LEADS TO REVERSE ROTATION.
2. OPTIONAL THERMOSTATS ARE PROVIDED WHEN SPECIFIED.
3. ACTUAL NUMBER OF INTERNAL PARALLEL CIRCUITS MAY BE A MULTIPLE OF THOSE SHOWN ABOVE.
4. LEAD COLORS ARE OPTIONAL. LEADS MUST ALWAYS BE NUMBERED AS SHOWN.

|   |         |                         |              |
|---|---------|-------------------------|--------------|
| REV. DESC: REVISE TO SHOW OPTIONAL COLORS |         |                         |              |
| REV. LTR: E                               | BY: JLP | REVISED: 01/19/99 10:15 | TDR: 0171435 |
| 90000                                     |         | FILE: AAA00005140       | MDL: -       |
|   |         | MTL: -                  |              |

**BALDOR ELECTRIC Co.**

3PH, DV, 9 LEADS

CD0005