

# **BALDOR**® • *RELIANCE*

## **Product Information Packet**

# **EM4468T**

**60HP,890RPM,3PH,60HZ,405T,TEFC,F1**

Part Detail							
Revision:	-	Status:	PRD/A	Change #:		Proprietary:	No
Type:	AC	Prod. Type:	A40060M	Elec. Spec:	A40WG0790	CD Diagram:	416820-002
Enclosure:	TEFC	Mfg Plant:		Mech. Spec:		Layout:	617429-001
Frame:	405T	Mounting:	F1	Poles:	08	Created Date:	04-02-2015
Base:		Rotation:	R	Insulation:	B	Eff. Date:	04-06-2015
Leads:	3#4,6#6					Replaced By:	
Literature:		Elec. Diagram:					

Nameplate NP2496L	
MOBIL POLYREX EM	

Nameplate NP2349L											
SPEC NO.	A40-6568-0790			CAT.NO.	EM4468T			FRAME	405T		
HP	60	VOLTS	230/460		PHASE	3	DESIGN	B	TYPE	P	
RPM	890	AMPS	152/76		HZ	60	AMB	40	SF	1.15	
DRIVE END BEARING	80BC03J30X		DUTY	CONT		INSUL.CLASS	F				
OPP D.E. BEARING	80BC03J30X		ENCL	TEFC		CODE	F				
SER.NO.				POWER FACTOR	79		NEMA-NOM-EFFICIENCY	93			
							MAX CORR KVAR	20		GUARANTEED EFFICIENCY	91.7
							NEMA NOM/CSA QUOTED EFF				
							MOTOR WEIGHT	1216			

Parts List		
Part Number	Description	Quantity
SA296094	SA A40-6568-0790	1.000 EA
RA282145	RA A40-6568-0790	1.000 EA
421948032	LABEL, MYLAR	1.000 EA
NP2496L	MOTOR LUBE NAMEPLATE	1.000 EA
000613006PU	N/P (RELEASE QTY 10,000) UL CSA LABEL	1.000 EA
000692000FF	N/P	1.000 EA
000692000VD	LABEL WARNING	1.000 EA
NP2349L	SUPER-E ,SS, CSA, CSA SUPER-E	1.000 EA
089412501A	BRKT FTMT G400 FIN MACH 6316 89412500WCA	1.000 EA
083198124	G400 STD FAN COVER MACH. 083198101A	1.000 EA
034180012DA	KEY 1X4X1/4X1-1/2 L	1.000 EA
702618004T	FAN KB 182/70 (112) 440	1.000 EA
004824015A	GREASE POLYREX EM	0.880 LB
032018020EK	HHCS 5/8-11X2-1/2 PLTD.	4.000 EA
032018010CK	HHCS 3/8-16X1-1/4 PLTD.	4.000 EA
032018024CK	HHCS 3/8-16X3 PLTD.	3.000 EA
415096002A	CPLG 1/8 HEX TYPE	1.000 EA
410700000DA	WAVY SPRING WASHER	1.000 EA
034000014AB	WSH ID.406 OD.812 TH.065	4.000 EA
034530056BB	P/NIP 1/4X7 SCHED 40	1.000 EA
034530052AB	P/NIP 1/8X6-1/2 GALV.	1.000 EA
034690005AB	PPLG 3/4 PLATED	1.000 EA
034690001AB	SQHDPLG, COND	1.000 EA
034690001AB	SQHDPLG, COND	1.000 EA

Parts List (continued)		
Part Number	Description	Quantity
034631002AB	BUSH 1/4 TO 1/8 PLTD.	1.000 EA
034690002AB	"unbulked" PPLG 1/4" PLTD.	1.000 EA
034690001AB	SQHDPLG, COND	1.000 EA
089412501A	BRKT FTMT G400 FIN MACH 6316 89412500WCA	1.000 EA
032018020EK	HHCS 5/8-11X2-1/2 PLTD.	4.000 EA
032018024CK	HHCS 3/8-16X3 PLTD.	3.000 EA
077176000L	C/BOX, PAINTED 360-400	1.000 EA
077176001A	CBOXC, PAINTED 360-400	1.000 EA
043292000AJ	GASK 320-400	1.000 EA
402731001A	GASK 360-440	1.000 EA
418150003A	GREASE FITTING CAP	1.000 EA
032018005AK	HHCS 1/4-20X5/8 PLATED	4.000 EA
032018008CK	HHCS 3/8-16X1L PLATED	4.000 EA
035000001A	ALFTG 1/8" 1610-BL	1.000 EA
415000103D	T/LUG #4AWG-1/0AWG W/HOLE FOR .250 BOLT	1.000 EA
406099000A	PLUG - FAN COVER 320-440	1.000 EA
033512004LB	HHTTS 1/4-20X1/2 PLTD.	1.000 EA
035000001A	ALFTG 1/8" 1610-BL	1.000 EA
418150003A	GREASE FITTING CAP	1.000 EA
MG1025Y03	WILKOFAS, 789.701, SUPER E PEARL GOLD	2.000 QT
033775004EA	DRSCR #6-1/4 304 S.S.	2.000 EA
034180044JA	KEY 3/4X3/4X5-1/2 L	1.000 EA
604797045	STD. 400 FRAME SKID	1.000 EA
032510024D	CARRIAGE BOLT - 444	2.000 EA

Product Information Packet: EM4468T - 60HP,890RPM,3PH,60HZ,405T,TEFC,F1

034001014AB	FLAT WASHER 3/8"PLATED	2.000 EA
034001016AB	WSHR .562ID 1.375OD .109	2.000 EA
033300014AC	HEX NUT, SHIPPING - 400	2.000 EA
604797003C	SHIPPING BAG	1.000 EA

REL. S.O.	FRAME	HP	TYPE	PHASE/HERTZ	RPM	VOLTS
	405T	60	P	3/60	890	230/460
AMPS	DUTY	AMB °C/ INSUL.	S.F.	NEMA DESIGN	CODE LETTER	ENCL.
152/76	CONT	40/F	1.15	B	F	FOXE
E/S	ROTOR	TEST S.O.	TEST DATE	STATOR RES. @25 °C OHMS (BETWEEN LINES)		
496302	418142071BR	---	---	.0285/.114		

PERFORMANCE

LOAD	HP	AMPERES	RPM	POWER FACTOR %	EFFICIENCY %
NO LOAD	0	37.2	900	3.70	0
1/4	15.0	40.7	897	38.4	90.2
2/4	30.0	49.5	894	60.9	93.3
3/4	45.0	61.6	891	73.0	93.7
4/4	60.0	76.0	888	79.3	93.3
5/4	75.0	92.3	884	82.3	92.4

SPEED TORQUE

	RPM	TORQUE % FULL LOAD	TORQUE LB.-FT.	AMPERES
LOCKED ROTOR	0	148	525	405
PULL UP	280	127	451	380
BREAKDOWN	844	225	800	235
FULL LOAD	888	100	355	76.0

AMPERES SHOWN FOR 460. VOLT CONNECTION. IF OTHER VOLTAGE CONNECTIONS ARE AVAILABLE, THE AMPERES WILL VARY INVERSELY WITH THE RATED VOLTAGE

REMARKS: XE MOTOR-TYPICAL DATA-NEMA NOM. EFF. 93.0 PCT.  
GUARANTEED MIN. EFF. 92.4 PCT.

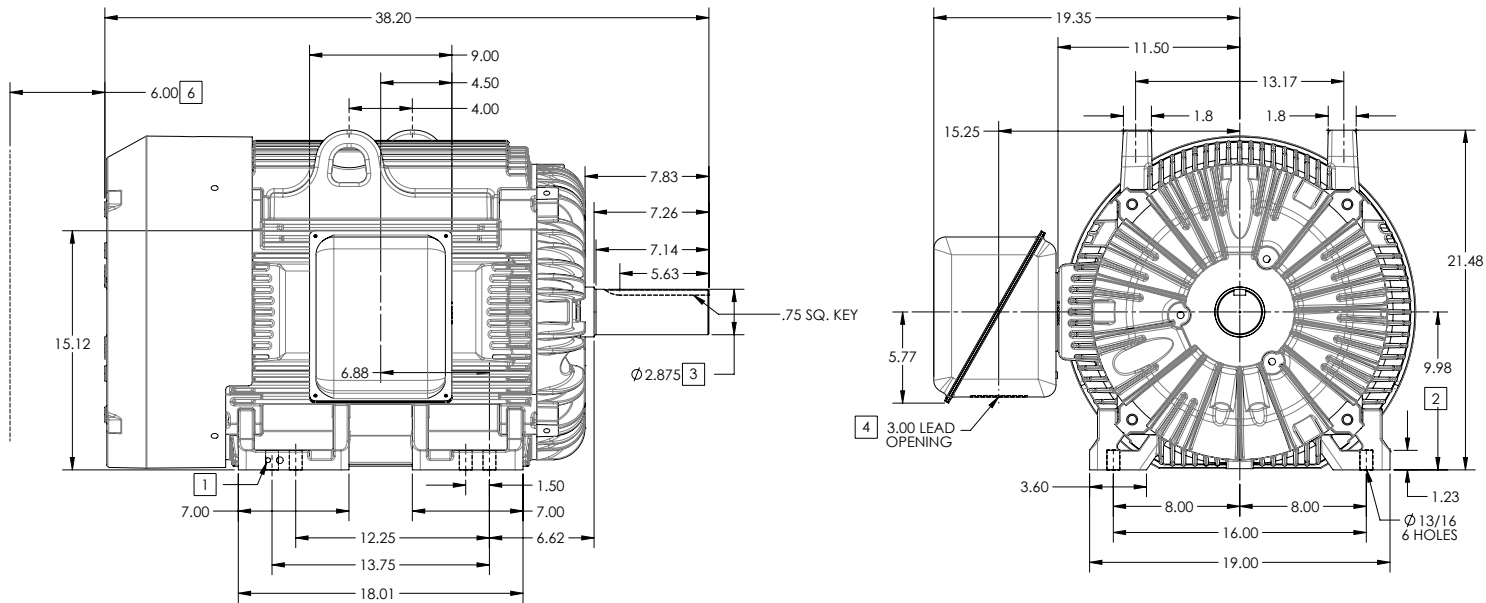
<b>BALDOR</b>	DR. BY P. B. GREENE	<b>A-C MOTOR</b>
	CK. BY K. W. KANOUFF	
	APP. BY K. W. KANOUFF	<b>PERFORMANCE DATA</b>
	DATE 10/16/90	ISSUE DATE 10/16/90

**DUTY MASTER ALTERNATING CURRENT MOTORS**  
SQUIRREL-CAGE INDUCTION

ENCLOSURE: TOTALLY ENCLOSED  
MOUNTING: FOOT

FRAME G405T ABOVE NEMA RATINGS  
INCLUDES 404T FRAME MOUNTING HOLES

COOLING: FAN COOLED  
STANDARD INDUSTRIAL ENCLOSURE



1. GROUND HOLES QTY 1 1/2-13 TAP; QTY 1 3/8-16 TAP
2. VARIES +.00,-.06
3. VARIES +.00,-.001
4. ON STANDARD MOTORS THIS IS CONDUIT SIZE. ON XT AND CORROSION PROOF MOTOR THIS IS PIPE TAP.
5. MOTOR WEIGHTS MAY VARY BY 15% DEPENDING ON RATING.
6. OBSTRUCTION MUST NOT ENCROACH ON AIR INLET

[5] WEIGHT (LBS): 1350

CONDUIT BOX LOCATED ON OPPOSITE SIDE WHEN F-2.  
IF MOUNTING CLEARANCE DETAILS ARE REQUIRED, CONSULT FACTORY.  
MAXIMUM PERMISSIBLE SHAFT RUNOUT WHEN MEASURED AT END OF STANDARD SHAFT EXTENSION IS .003" T.I.R. TO 5 INCH DIA.

DIMENSIONS ARE IN INCHES; SEE SHEET 2 FOR DIMENSIONS IN MILLIMETERS

CUSTOMER IS RESPONSIBLE FOR DETERMINING THAT MOTOR PERFORMANCE IS SUITABLE IN THE APPLICATION.

SHEET NUMBER  
1 OF 2

100-672-119

REV. DESC: CHANGE BA FROM 6.76 TO 6.62			
REV: B	VERSION: 02	REVISED: 11-40-02 04/14/2014	TDR: 00000848770
MODEL NO. 617429-001		REF:	
BY: MGHMMZ2	Material:	C	

**BALDOR**

G405T-404T STD - FOOTED - STANDARD ENCLOSURE

617429-001

## DUTY MASTER ALTERNATING CURRENT MOTORS

### SQUIRREL-CAGE INDUCTION

ENCLOSURE: TOTALLY ENCLOSED

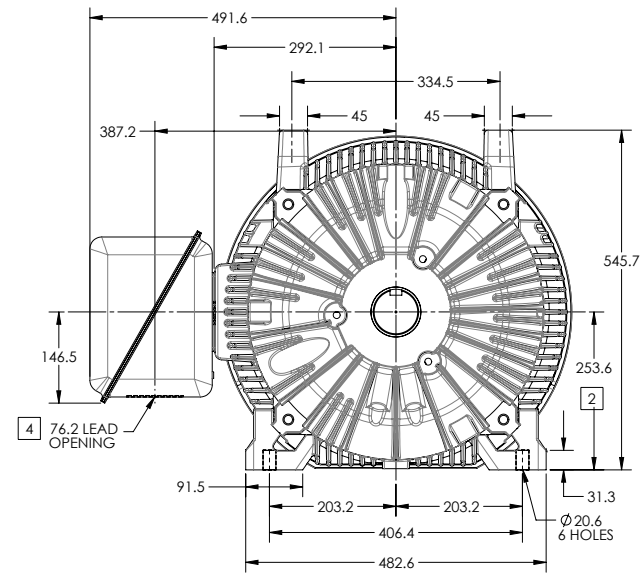
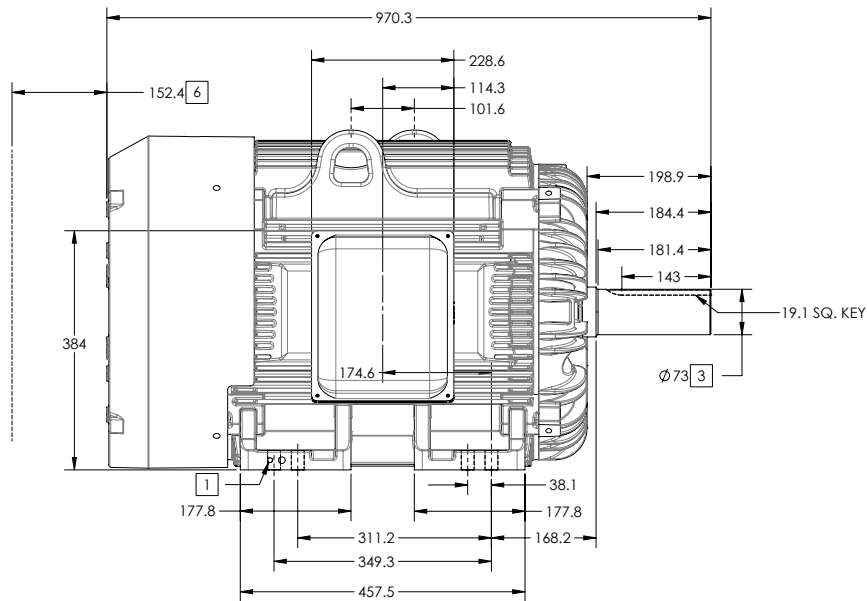
FRAME G405T ABOVE NEMA RATINGS

COOLING: FAN COOLED

MOUNTING: FOOT

INCLUDES 404T FRAME MOUNTING HOLES

STANDARD INDUSTRIAL ENCLOSURE



1. GROUND HOLES QTY 1 1/2-13 TAP; QTY 1 3/8-16 TAP
2. VARIES +0,-1.5
3. VARIES +00,-.03
4. ON STANDARD MOTORS THIS IS CONDUIT SIZE. ON XT AND CORROSION PROOF MOTOR THIS IS PIPE TAP.
5. MOTOR WEIGHTS MAY VARY BY 15% DEPENDING ON RATING.
6. OBSTRUCTION MUST NOT ENCROACH ON AIR INLET

[5] WEIGHT (KGS): 620

CONDUIT BOX LOCATED ON OPPOSITE SIDE WHEN F-2.  
IF MOUNTING CLEARANCE DETAILS ARE REQUIRED, CONSULT FACTORY.  
MAXIMUM PERMISSIBLE SHAFT RUNOUT WHEN MEASURED AT END OF STANDARD SHAFT EXTENSION IS .08 MM T.I.R. TO 127 MM DIA.

DIMENSIONS ARE IN MILLIMETERS; SEE SHEET 1 FOR DIMENSIONS IN INCHES

CUSTOMER IS RESPONSIBLE FOR DETERMINING THAT MOTOR PERFORMANCE IS SUITABLE IN THE APPLICATION.

SHEET NUMBER  
2 OF 2

100-627219

REV. DESC: CHANGE BA FROM 6.76 TO 6.62			
REV: B	VERSION: 02	REVISED: 11-30-02 04/14/2014	TDR: 000000848770
MODEL NO. 617429-001			REF:
BY: MGHMMZ2	Material:		

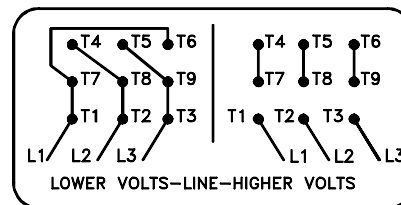
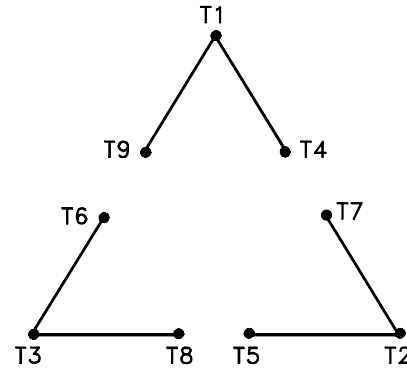
**BALDOR**

G405T-404T STD - FOOTED - STANDARD ENCLOSURE

617429-001

416820-002

A-C MOTOR  
 CONNECTION DIAGRAM  
 STANDARD 9 LEAD DELTA-CONNECTED



(N.P. 1575-B)

416820-002

REV. DESC: LOADED TO BUS, C/R 335225		
REV. LTR: -	VERSION: 00	TDR: 000000538207
FILE: \MGA\00000\661	REVISED: 10: 47: 51 04/30/2010	
MTL: -	BY: RAGRA	

**BALDOR**

CONN DIAG - STANDARD 9 LEAD, DELTA-CONNECTED

SH 1 of 1

Marketing maintained PDF of MN408:

<http://www.baldor.com/support/Literature/Load.ashx/MN408?ManNumber=MN408>

Marketing maintained PDF of MN416:

<http://www.baldor.com/support/Literature/Load.ashx/MN416?ManNumber=MN416>