

# **BALDOR**® • **RELIANCE**

## **Product Information Packet**

# **EM7013T-I**

**1//.75HP,3450//2850RPM,3PH,60//50HZ,143T**

Part Detail							
Revision:	S	Status:	PRD/A	Change #:		Proprietary:	No
Type:	AC	Prod. Type:	3516M	Elec. Spec:	35WGY474	CD Diagram:	CD0005
Enclosure:	XPFC	Mfg Plant:		Mech. Spec:	35X081	Layout:	35LYX081
Frame:	143T	Mounting:	F1	Poles:	02	Created Date:	07-12-2010
Base:	RG	Rotation:	R	Insulation:	F	Eff. Date:	11-11-2016
Leads:	9#18					Replaced By:	
Literature:		Elec. Diagram:					

Nameplate NP0977XPSLEV											
NO.							CC	010A			
SER.								TEMP CODE	T3C		
SPEC.	35X081Y474G1										
CAT.NO.	EM7013T-I										
HP	1//.75										
VOLTS	230/460//190/380										
AMPS	2.8/1.4										
RPM	3450//2850						MOTOR WEIGHT	51			
HERTZ	60//50		PH	3	CL	F	DE BRG	6205			
SER.F.	1.15		DES	B	CODE	K	ODE BRG	6203			
FRAME	143T		GREASE	POLYREX EM							
RATING	40C AMB-CONT										
USABLE AT 208V							NEMA-NOM-EFF	77		PF	87
	55C AMB @ 1.0 SF										

Parts List		
Part Number	Description	Quantity
SA199717	SA 35X081Y474G1	1.000 EA
RA187045	RA 35X081Y474G1	1.000 EA
MJ5000A09	EFI KIT #1578 (400 ML CARTRIDGE OF EFI	0.050 EA
35CB1005A01	CONDUIT BOX,MACH - GROUP "C" MTRS	1.000 EA
11XW1032G06	10-32 X .38, TAPTITE II, HEX WSHR SLTD U	1.000 EA
HW3001B01	BRASS CUP WASHER, FOR #8 SCREW	1.000 EA
35EP1715A08	FREP XPFC 203 BRG GROUP "C" W/DRAIN	1.000 EA
HW4506A02	BREATHER/DRAIN-EXP PROOF-.125-27 NPTF AI	1.000 EA
HW3022E05	.125 DIA X .500 ROLLED SPRING PIN	1.000 EA
HW5100A03SP	WAVY WASHER (W1543-017)	1.000 EA
35EP3701B05	PUEP X-PROOF - 205 BRG GROUP C&E	1.000 EA
HA2009A86	SLINGER FOR GROUP E MTRS - 205 BRG.	1.000 EA
80XN0632J06	SET SCREW, 6-32 X 3/8", HEX SOCKET, AS	1.000 EA
HW4506A02	BREATHER/DRAIN-EXP PROOF-.125-27 NPTF AI	1.000 EA
HW3022E05	.125 DIA X .500 ROLLED SPRING PIN	1.000 EA
35FH4005A01SP	IEC FH NO GREASER W/PRIMED	1.000 EA
XY3118A12	5/16-18 HEX NUT DIRECTIONAL SERRATION	4.000 EA
51XW1032A06	10-32 X .38, TAPTITE II, HEX WSHR SLTD S	3.000 EA
35CB1501A01	CONDUIT BOX LID, MACH. - GROUP "C" MTRS	1.000 EA
RM1020A41	O-RING, -150 BUNA-N, .103 CS X 2.862 ID	1.000 EA
LB1359	ALUM XP CAUTION LABEL	1.000 EA
HW2501D13	KEY, 3/16 SQ X 1.375	1.000 EA
HA7000A01	KEY RETAINER 7/8" DIA SHAFT	1.000 EA
85XU0407S04	4X1/4 U DRIVE PIN STAINLESS	6.000 EA

<b>Parts List (continued)</b>		
<b>Part Number</b>	<b>Description</b>	<b>Quantity</b>
MJ1000A02	GREASE, POLYREX EM EXXON (USe 4824-15A)	0.050 LB
34FN3002B01	EXTERNAL FAN, PLASTIC, .637/.639 HUB W/	1.000 EA
51XB1214A16	12-14X1.00 HXWSSLD SERTYB	1.000 EA
MG1025G29	WILKOFAS, 789.229, DARK CHARCOAL GRAY	0.014 GA
HA3104A06	THRUBOLT 5/16-18 X 8.50 OHIO ROD	4.000 EA
MN416A01	TAG-INSTAL-MAINT no wire (1000/bx) 11/14	1.000 EA
LB1119N	WARNING LABEL	1.000 EA
LC0145B01	CONNECTION LABEL	1.000 EA
NP0977XPSLEV	SS XP UL CSA-EEV CC CL-I GP-C&D	1.000 EA
35PA1007	PKG GRP, PRINT PK1034A06	1.000 EA

**AC Induction Motor Performance Data**

Record # 36265 - Typical performance - not guaranteed values

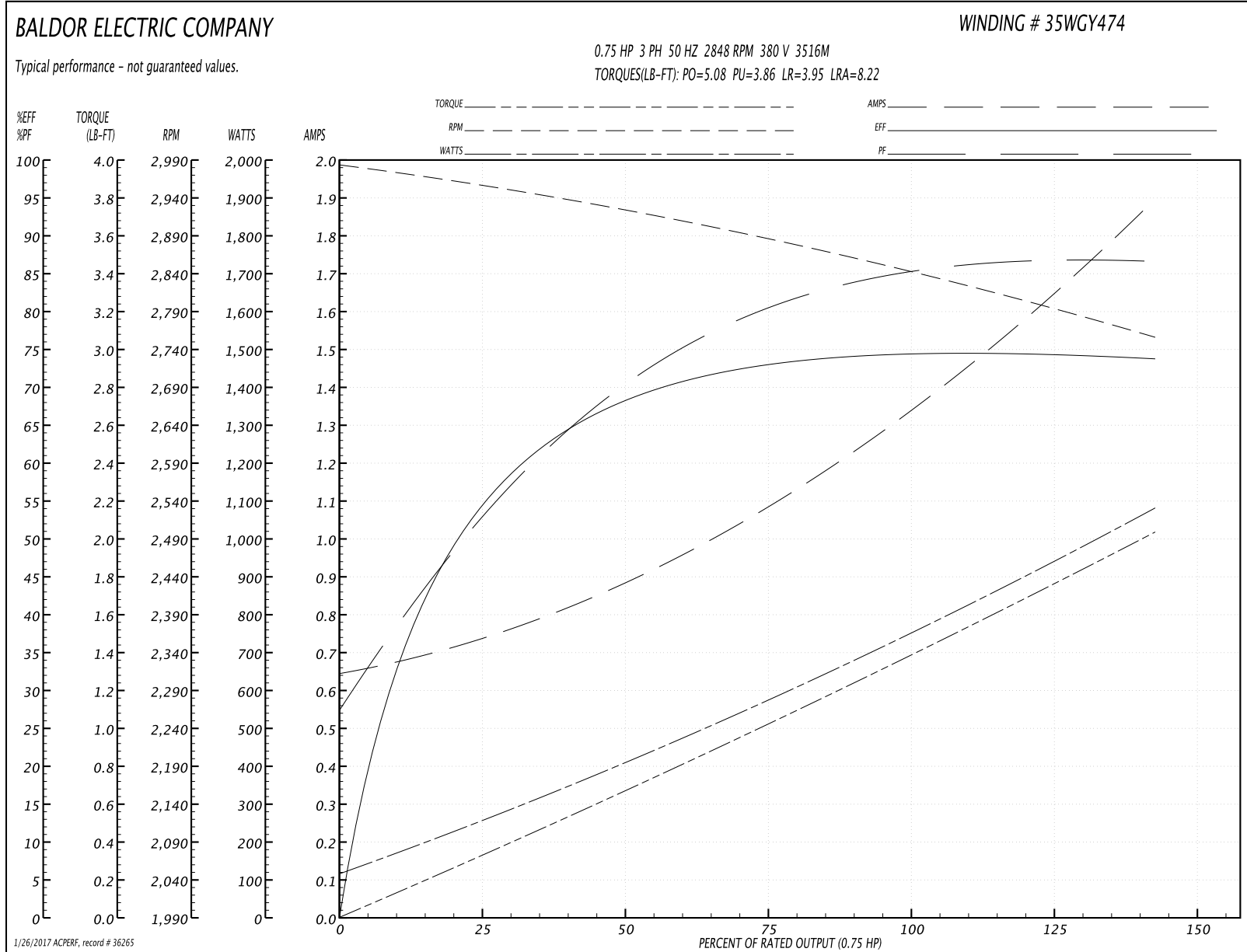
<b>Winding:</b> 35WGY474-R009	<b>Type:</b> 3516M	<b>Enclosure:</b> XPFC
-------------------------------	--------------------	------------------------

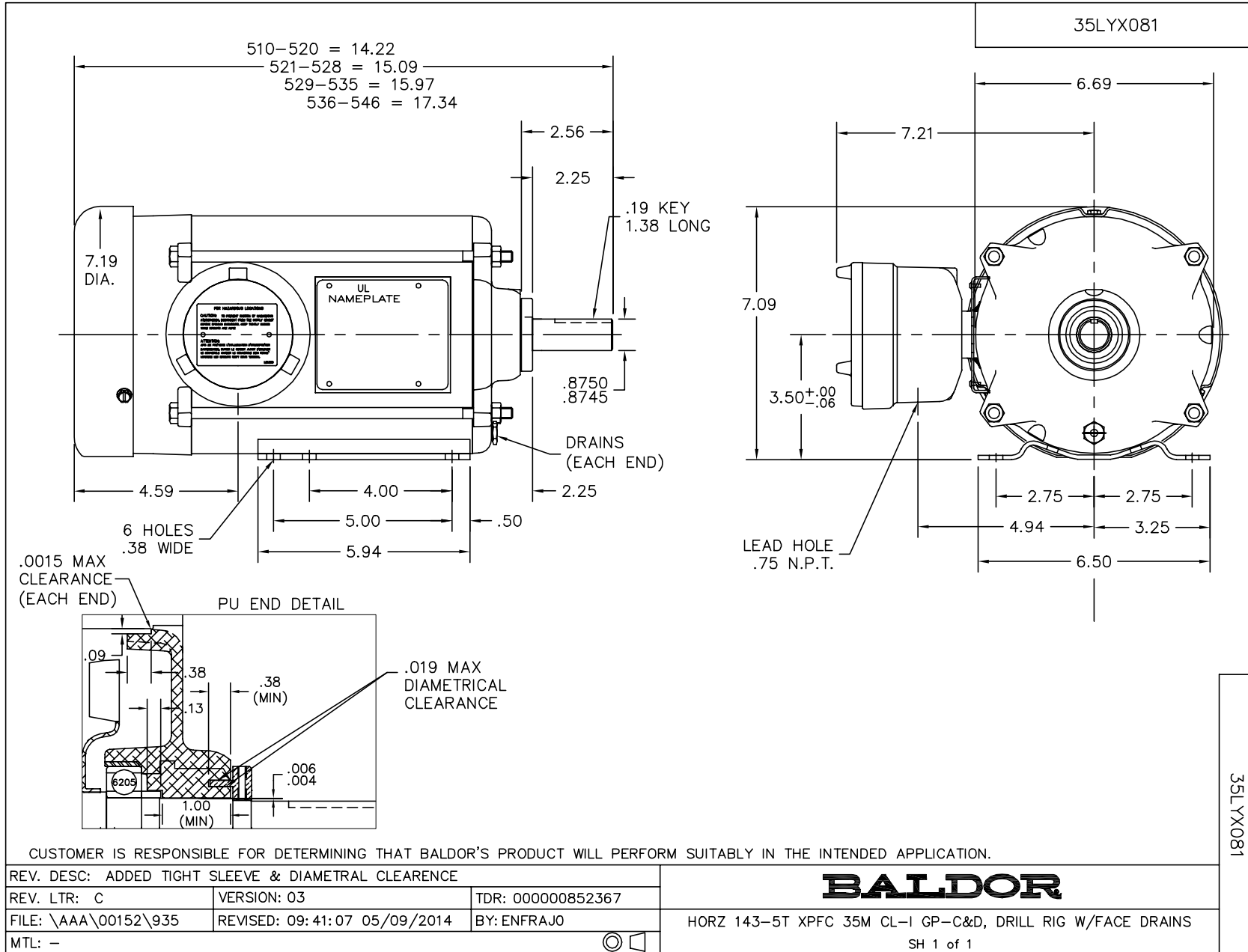
Nameplate Data				380 V, 50 Hz: High Voltage Connection	
Rated Output (HP)	1//.75			Full Load Torque	1.36 LB-FT
Volts	230/460//190/380			Start Configuration	direct on line
Full Load Amps	2.8/1.4			Breakdown Torque	5.08 LB-FT
R.P.M.	3450//2850			Pull-up Torque	3.86 LB-FT
Hz	60//50	Phase	3	Locked-rotor Torque	3.95 LB-FT
NEMA Design Code	B	KVA Code	K	Starting Current	8.22 A
Service Factor (S.F.)	1.15			No-load Current	0.646 A
NEMA Nom. Eff.	77	Power Factor	87	Line-line Res. @ 25°C	19.4 Ω
Rating - Duty	40C AMB-CONT			Temp. Rise @ Rated Load	41°C
S.F. Amps				Temp. Rise @ S.F. Load	47°C
				Locked-rotor Power Factor	70
				Rotor inertia	0.0443 LB-FT <sup>2</sup>

Load Characteristics 380 V, 50 Hz, 0.75 HP

% of Rated Load	25	50	75	100	125	150	S.F.
Power Factor	54	71	80	85	87	87	86
Efficiency	54.2	67.7	73	74.8	74.8	73.5	74.8
Speed	2955	2922	2886	2848	2804	2754	2822
Line amperes	0.737	0.882	1.09	1.32	1.59	1.9	1.48

Performance Graph at 380V, 50Hz, 0.75HP Typical performance - Not guaranteed values





CD0005



LOW VOLTAGE  
(2Y)



LINE

HIGH VOLTAGE  
(1Y)



LINE

NOTES:

1. INTERCHANGE ANY TWO LINE LEADS TO REVERSE ROTATION.
2. OPTIONAL THERMOSTATS ARE PROVIDED WHEN SPECIFIED.
3. ACTUAL NUMBER OF INTERNAL PARALLEL CIRCUITS MAY BE A MULTIPLE OF THOSE SHOWN ABOVE.
4. LEAD COLORS ARE OPTIONAL. LEADS MUST ALWAYS BE NUMBERED AS SHOWN.

REV. DESC: REVISE TO SHOW OPTIONAL COLORS			
REV. LTR: E	BY: JLP	REVISED: 01/19/99 10:15	TDR: 0171435
9000D		FILE: AAA00005140	MDL: -
		MTL: -	

**BALDOR ELECTRIC Co.**

3PH, DV, 9 LEADS

CD0005