

# **BALDOR® • RELIANCE**

## **Product Information Packet**

### **EM7036T-I**

**3//2HP,1160//960RPM,3PH,60//50HZ,213T,37**

Part Detail							
Revision:	K	Status:	PRD/A	Change #:		Proprietary:	No
Type:	AC	Prod. Type:	3738M	Elec. Spec:	37WGS519	CD Diagram:	CD0005
Enclosure:	XPFC	Mfg Plant:		Mech. Spec:	37H721	Layout:	37LYH721
Frame:	213T	Mounting:	F1	Poles:	06	Created Date:	06-21-2010
Base:	RG	Rotation:	R	Insulation:	F	Eff. Date:	07-21-2016
Leads:	9#14					Replaced By:	
Literature:		Elec. Diagram:					

Nameplate NP0977XPSLEV										
NO.						CC	010A			
SER.							TEMP CODE	T3C		
SPEC.	37H721S519G1									
CAT.NO.	EM7036T-I									
HP	3//2									
VOLTS	230/460//190/380									
AMPS	9.2/4.6//8/4									
RPM	1160//960					MOTOR WEIGHT	105			
HERTZ	60//50		PH	3		CL	F	DE BRG	6307	
SER.F.	1.15		DES	B		CODE	L	ODE BRG	6206	
FRAME	213T		GREASE		POLYREX EM					
RATING	40C AMB-CONT 55C AMB AT 1.0 SF									
USABLE AT 208V	9.6		NEMA-NOM-EFF		89.5			PF	68	
	NEMA MG-1 PT 5,IP55									

Parts List		
Part Number	Description	Quantity
SA199161	SA 37H721S519G1	1.000 EA
RA186500	RA 37H721S519G1	1.000 EA
37FN3002C01	EXFN, PLASTIC, 6.00 OD, 1.155 ID	1.000 EA
37CB1005A02	CONDUIT BOX-MACH-EXPL.PROOF-GROUP "C" MTR	1.000 EA
11XW1032G06	10-32 X .38, TAPTITE II, HEX WSHR SLTD U	1.000 EA
HW3001B01	BRASS CUP WASHER, FOR #8 SCREW	1.000 EA
37EP1715A04	FR EP XPFC,GROUP "C" MTRS W/SPL DRAIN	1.000 EA
HW4500A19	1/4-28X1/4 SLOTTED PLUG F/S	2.000 EA
HW4506A02	BREATHER/DRAIN-EXP PROOF-.125-27 NPTF AI	1.000 EA
HW3022E05	.125 DIA X .500 ROLLED SPRING PIN	1.000 EA
37FH4000A09	FAN COVER, W/ PRIMER	1.000 EA
HW5100A06	W2420-025 WVY WSHR (WB)	1.000 EA
37EP1714A03	PU EP XPFC-GROUP "C" MTRS W/SPL DRAIN	1.000 EA
HW4500A19	1/4-28X1/4 SLOTTED PLUG F/S	2.000 EA
HW4506A02	BREATHER/DRAIN-EXP PROOF-.125-27 NPTF AI	1.000 EA
HW3022E05	.125 DIA X .500 ROLLED SPRING PIN	1.000 EA
51XW1032A06	10-32 X .38, TAPTITE II, HEX WSHR SLTD S	3.000 EA
37CB1502A01	CONDUIT BOX LID-MACH-EXPL.PROOF-GROUP "C"	1.000 EA
RM1020A42	O-RING, -154 BUNA-N, .103 CS X 3.737 ID	2.000 EA
HA2065A02	SLINGER, ALUM MODLE 36 & 37 DRILL RIG MT	1.000 EA
80XN1032A07	SET SCREW, HEX XOCK, ZN	1.000 EA
HW2501F21	KEY, 5/16 SQ X 2.375	1.000 EA
HA7000A02	KEY RETAINER RING, 1 1/8 DIA, 1 3/8 DIA	1.000 EA
85XU0407S04	4X1/4 U DRIVE PIN STAINLESS	6.000 EA

<b>Parts List (continued)</b>		
<b>Part Number</b>	<b>Description</b>	<b>Quantity</b>
LB1115N	LABEL,LIFTING DEVICE (ON ROLLS)	1.000 EA
LB1359F	ALUM XP CAUTION LABEL	1.000 EA
MJ1000A02	GREASE, POLYREX EM EXXON (USe 4824-15A)	0.050 LB
51XB1214A20	12-14X1.25 HXWSSLD SERTYB	1.000 EA
HA3106A04	THRUBOLT- 1/2-13 X 12.625	4.000 EA
MG1025G29	WILKOFASST, 789.229, DARK CHARCOAL GRAY	0.028 GA
LB1119N	WARNING LABEL	1.000 EA
LC0145B01	CONNECTION LABEL	1.000 EA
NP0977XPSLEV	SS XP UL CSA-EEV CC CL-I GP-C&D	1.000 EA
37PA1039	PALLET PACK GRP, PRINT PK1026A06	1.000 EA
MN416A01	TAG-INSTAL-MAINT no wire (1000/bx) 11/14	1.000 EA

**AC Induction Motor Performance Data**

Record # 35764 - Typical performance - not guaranteed values

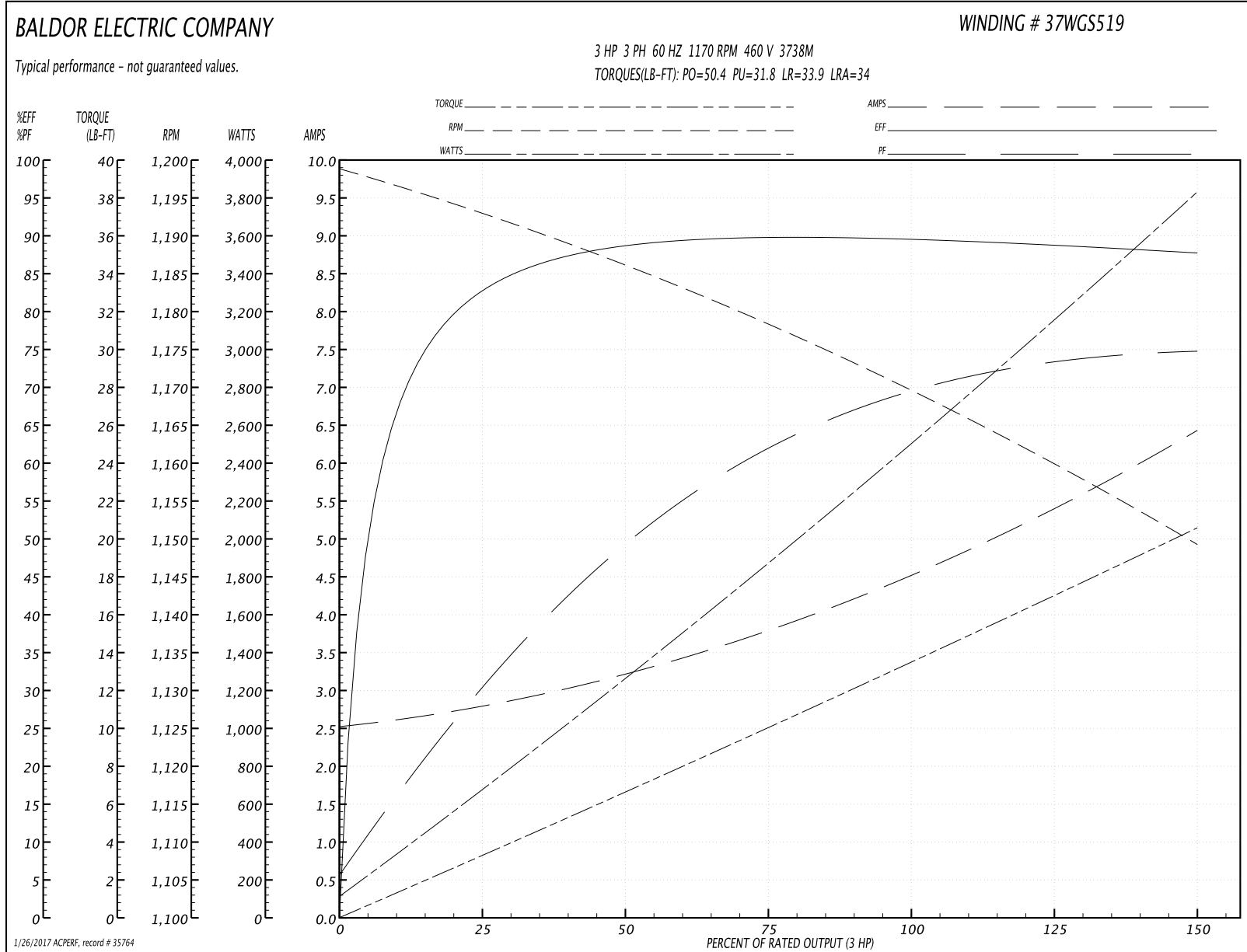
<b>Winding:</b> 37WGS519-R003	<b>Type:</b> 3738M	<b>Enclosure:</b> XPFC
-------------------------------	--------------------	------------------------

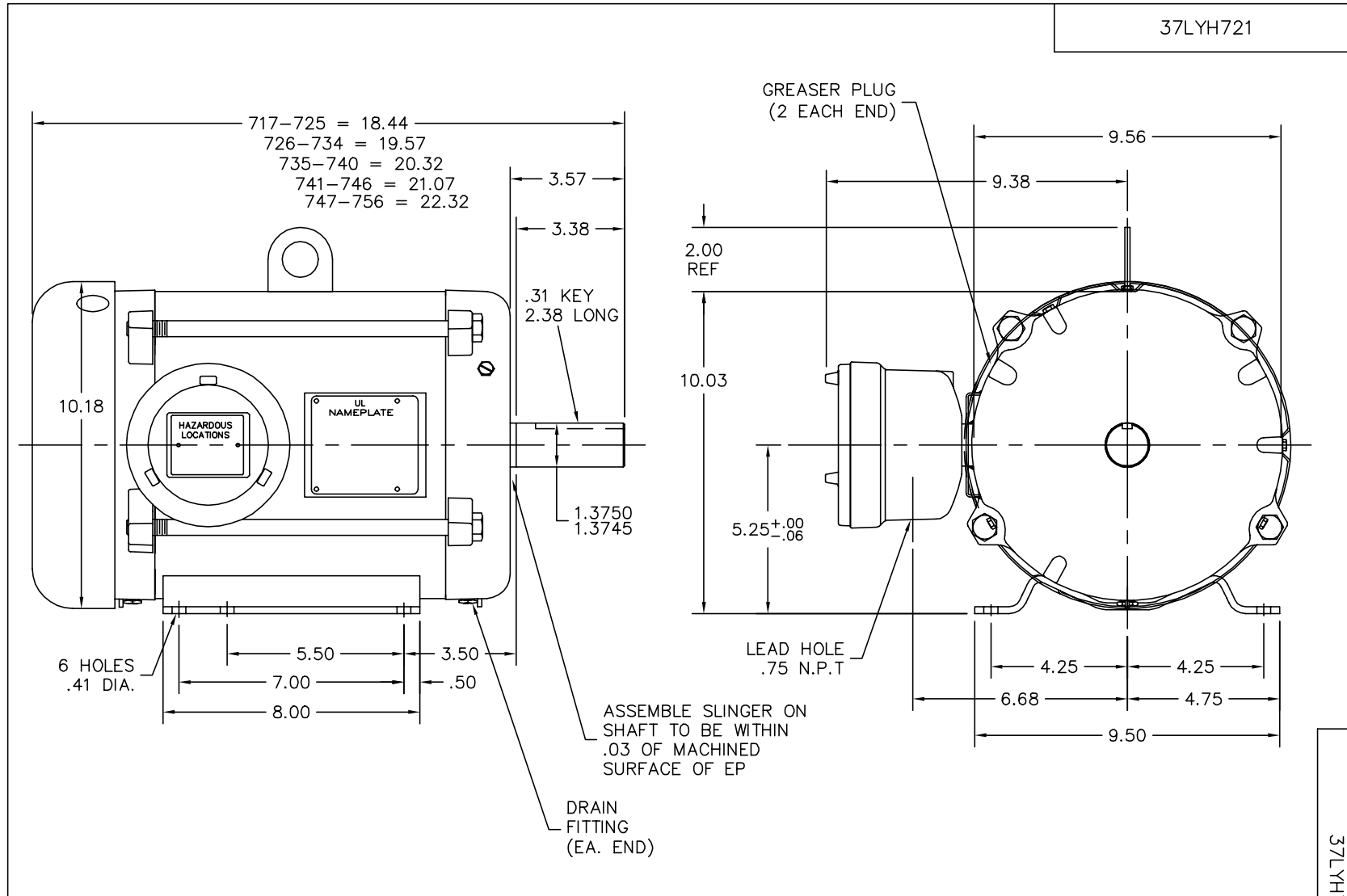
Nameplate Data				460 V, 60 Hz: High Voltage Connection	
Rated Output (HP)	3//2			Full Load Torque	13.4 LB-FT
Volts	230/460//190/380			Start Configuration	direct on line
Full Load Amps	9.2/4.6//8/4			Breakdown Torque	50.4 LB-FT
R.P.M.	1160//960			Pull-up Torque	31.8 LB-FT
Hz	60//50	Phase	3	Locked-rotor Torque	33.9 LB-FT
NEMA Design Code	B	KVA Code	L	Starting Current	34 A
Service Factor (S.F.)	1.15			No-load Current	2.56 A
NEMA Nom. Eff.	89.5	Power Factor	68	Line-line Res. @ 25°C	2.67 Ω
Rating - Duty	40C AMB-CONT			Temp. Rise @ Rated Load	38°C
S.F. Amps				Temp. Rise @ S.F. Load	45°C
				Locked-rotor Power Factor	22.9
				Rotor inertia	0.945 LB-FT <sup>2</sup>

Load Characteristics 460 V, 60 Hz, 3 HP

% of Rated Load	25	50	75	100	125	150	S.F.
Power Factor	30	50	62	69	73	75	70
Efficiency	82.1	88.6	89.5	89.8	89.1	87.6	89.1
Speed	1193	1186	1178	1170	1160	1149	1166
Line amperes	2.74	3.19	3.82	4.53	5.44	6.41	5.14

Performance Graph at 460V, 60Hz, 3.0HP Typical performance - Not guaranteed values





CUSTOMER IS RESPONSIBLE FOR DETERMINING THAT BALDOR'S PRODUCT WILL PERFORM SUITABLY IN THE INTENDED APPLICATION.

REV. DESC: REPLACED 37FH4000A02 W/ 37FH4000A09		
REV. LTR: D	VERSION: 01	TDR: 000000843643
FILE: \AAA\00086\536	REVISED: 10:01:52 03/12/2014	BY: ENKANVO
MTL: -	Ⓢ Ⓜ	

**BALDOR**

HOR 213-5T XPFC 37M CL I-GP C&D T'STAT/DRILL RIG, EPACT

SH 1 of 1

37LYH721

CD0005



LOW VOLTAGE  
(2Y)



LINE

HIGH VOLTAGE  
(1Y)



LINE

NOTES:

1. INTERCHANGE ANY TWO LINE LEADS TO REVERSE ROTATION.
2. OPTIONAL THERMOSTATS ARE PROVIDED WHEN SPECIFIED.
3. ACTUAL NUMBER OF INTERNAL PARALLEL CIRCUITS MAY BE A MULTIPLE OF THOSE SHOWN ABOVE.
4. LEAD COLORS ARE OPTIONAL. LEADS MUST ALWAYS BE NUMBERED AS SHOWN.

REV. DESC: REVISE TO SHOW OPTIONAL COLORS			
REV. LTR: E	BY: JLP	REVISED: 01/19/99 10:15	TDR: 0171435
90000		FILE: AAA00005140	MDL: -
		MTL: -	

**BALDOR ELECTRIC Co.**

3PH, DV, 9 LEADS

CD0005