

BALDOR® • *RELIANCE*

Product Information Packet

EM7144T

5HP/1750RPM/3PH/XPFC/NEMA 184T

Part Detail							
Revision:	K	Status:	PRD/A	Change #:		Proprietary:	No
Type:	AC	Prod. Type:	0642M	Elec. Spec:	06WGX182	CD Diagram:	CD0005
Enclosure:	XPFC	Mfg Plant:		Mech. Spec:	06J001	Layout:	06LYJ001
Frame:	184T	Mounting:	F1	Poles:	04	Created Date:	08-10-2010
Base:	RG	Rotation:	R	Insulation:	B	Eff. Date:	04-08-2016
Leads:	9#16					Replaced By:	
Literature:		Elec. Diagram:					

Nameplate NP1426XPSLEV	
NO.	<input type="text"/> CC 010A
SER.	<input type="text"/>
SPEC.	06J001X182G1
CAT.NO.	EM7144T
HP	5//3 T. CODE T3C
VOLTS	230/460//190/380
AMPS	13.2/6.6//10.4/5.2
RPM	1750//1450
HZ	60//50 PH 3 CL B
SER.F.	1.00 DES B CODE J
RATING	40C AMB-CONT
FRAME	184T NEMA-NOM-EFF 89.5
USABLE AT 208V	14 PF 79
BLANK	<input type="text"/>

Parts List		
Part Number	Description	Quantity
SA201242	SA 06J001X182G1	1.000 EA
RA188545	RA 06J001X182G1	1.000 EA
36FN3000C01	EXFN, PLASTIC, 5.25 OD, .912 ID	1.000 EA
HW3201A05	3/8-16 EYEBOLT	1.000 EA
07CB1000A02	CONDUIT BOX, MODEL 306,EXP. PROOF	1.000 EA
10XN2520A12	O1/4-20X 3/4 HEX HEAD CAP	4.000 EA
HW1001A25	LOCKWASHER 1/4, ZINC PLT .493 OD, .255 I	4.000 EA
WD1000B17	T&B CX35TN TERMINAL	1.000 EA
51XN1032A06	10-32 X .38 HEX SLOTTED SERRATED WASHER	1.000 EA
06EP1706A01	SPECIAL FRONT ENDPLATE X06M - TEFC	1.000 EA
HW4500A19	1/4-28X1/4 SLOTTED PLUG F/S	2.000 EA
10XN3118K20	5/16-18 X 1 1/4 GRADE 5 STEEL ZC PLATED	4.000 EA
HW1001A31	LOCKWASHER 5/16, ZINC PLT.591 OD, .319 I	4.000 EA
HW5100A05	WVY WSHR F/205 & 304 BRGS	1.000 EA
36EP1701A07	PULLEY ENDPLATE 06X 206 BRG	1.000 EA
HW4500A19	1/4-28X1/4 SLOTTED PLUG F/S	2.000 EA
10XN3118K20	5/16-18 X 1 1/4 GRADE 5 STEEL ZC PLATED	4.000 EA
HW1001A31	LOCKWASHER 5/16, ZINC PLT.591 OD, .319 I	4.000 EA
51XB1214A16	12-14X1.00 HXWSSLD SERTYB	1.000 EA
06FH1003A01	FAN COVER, CAST X-PROOF--MACHINING	1.000 EA
51XN1032A14	10-32 X 0.875 HX WS SL SR	4.000 EA
07CB1502A01	CONDUIT BOX LID MACH (DUCTILE IRON)	1.000 EA
10XN2520A16	1/4-20 X 1 HEX HEAD CAP SCR, ZINC PLATED	4.000 EA
HW1001A25	LOCKWASHER 1/4, ZINC PLT .493 OD, .255 I	4.000 EA

Parts List (continued)		
Part Number	Description	Quantity
HW2501E16	3KEY, 1/4 SQ X 1.750	1.000 EA
HA7000A02	KEY RETAINER RING, 1 1/8 DIA, 1 3/8 DIA	1.000 EA
LB1081F	ALUM XP CAUTION LABEL (FS PLANT ONLY-	1.000 EA
LB1115N	LABEL,LIFTING DEVICE (ON ROLLS)	1.000 EA
85XU0407S04	4X1/4 U DRIVE PIN STAINLESS	6.000 EA
MJ1000A02	GREASE, POLYREX EM EXXON (USe 4824-15A)	0.050 LB
MG1025N19	WILKOFASST, 778.50, RELIANCE BLUE-GREEN	0.028 GA
LB1119N	WARNING LABEL	1.000 EA
LC0145B01	CONNECTION LABEL	1.000 EA
NP1426XPSLEV	SS XP UL CSA-EEV CC CL-I GP-D	1.000 EA
37PA1039	PALLET PACK GRP, PRINT PK1026A06	1.000 EA
MN416A01	TAG-INSTAL-MAINT no wire (1000/bx) 11/14	1.000 EA

AC Induction Motor Performance Data

Record # 35542 - Typical performance - not guaranteed values

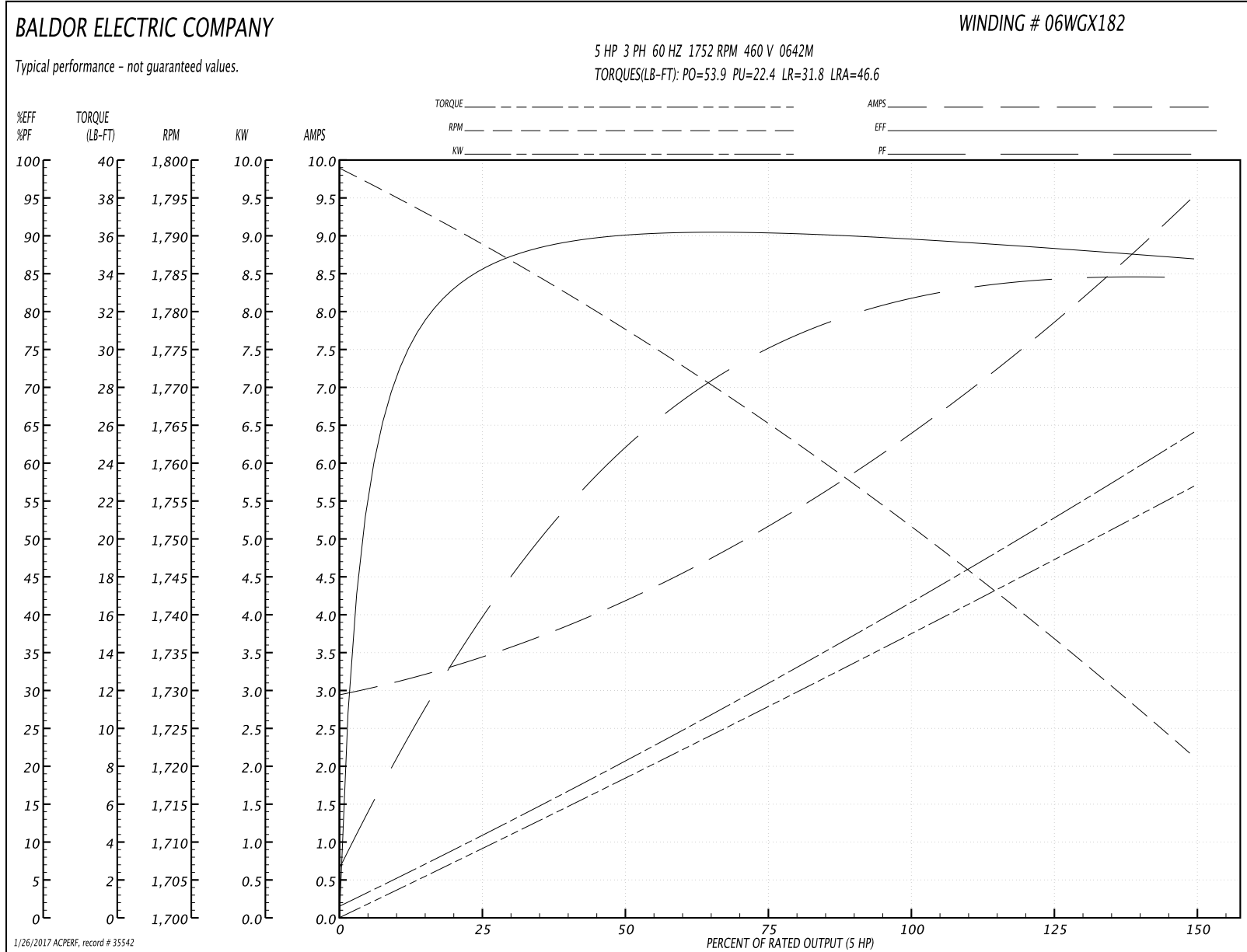
Winding: 06WGX182-R002	Type: 0642M	Enclosure: TEFC
-------------------------------	--------------------	------------------------

Nameplate Data				460 V, 60 Hz: High Voltage Connection	
Rated Output (HP)	5//3			Full Load Torque	15 LB-FT
Volts	230/460//190/380			Start Configuration	direct on line
Full Load Amps	13.2/6//10.4/5.2			Breakdown Torque	53.9 LB-FT
R.P.M.	1750//1450			Pull-up Torque	22.4 LB-FT
Hz	60//50	Phase	3	Locked-rotor Torque	31.8 LB-FT
NEMA Design Code	B	KVA Code	J	Starting Current	46.6 A
Service Factor (S.F.)	1			No-load Current	3.02 A
NEMA Nom. Eff.	89.5	Power Factor	79	Line-line Res. @ 25°C	2.63 Ω
Rating - Duty	40C AMB-CONT			Temp. Rise @ Rated Load	53°C
S.F. Amps				Temp. Rise @ S.F. Load	65°C
				Locked-rotor Power Factor	40.5
				Rotor inertia	0.391 LB-FT ²

Load Characteristics 460 V, 60 Hz, 5 HP

% of Rated Load	25	50	75	100	125	150
Power Factor	41	63	75	81	84	85
Efficiency	85.2	89.8	90.4	89.8	88.4	86.9
Speed	1789	1777	1765	1752	1737	1721
Line amperes	3.35	4.14	5.21	6.45	7.91	9.47

Performance Graph at 460V, 60Hz, 5.0HP Typical performance - Not guaranteed values



AC Induction Motor Performance Data

Record # 50085 - Typical performance - not guaranteed values

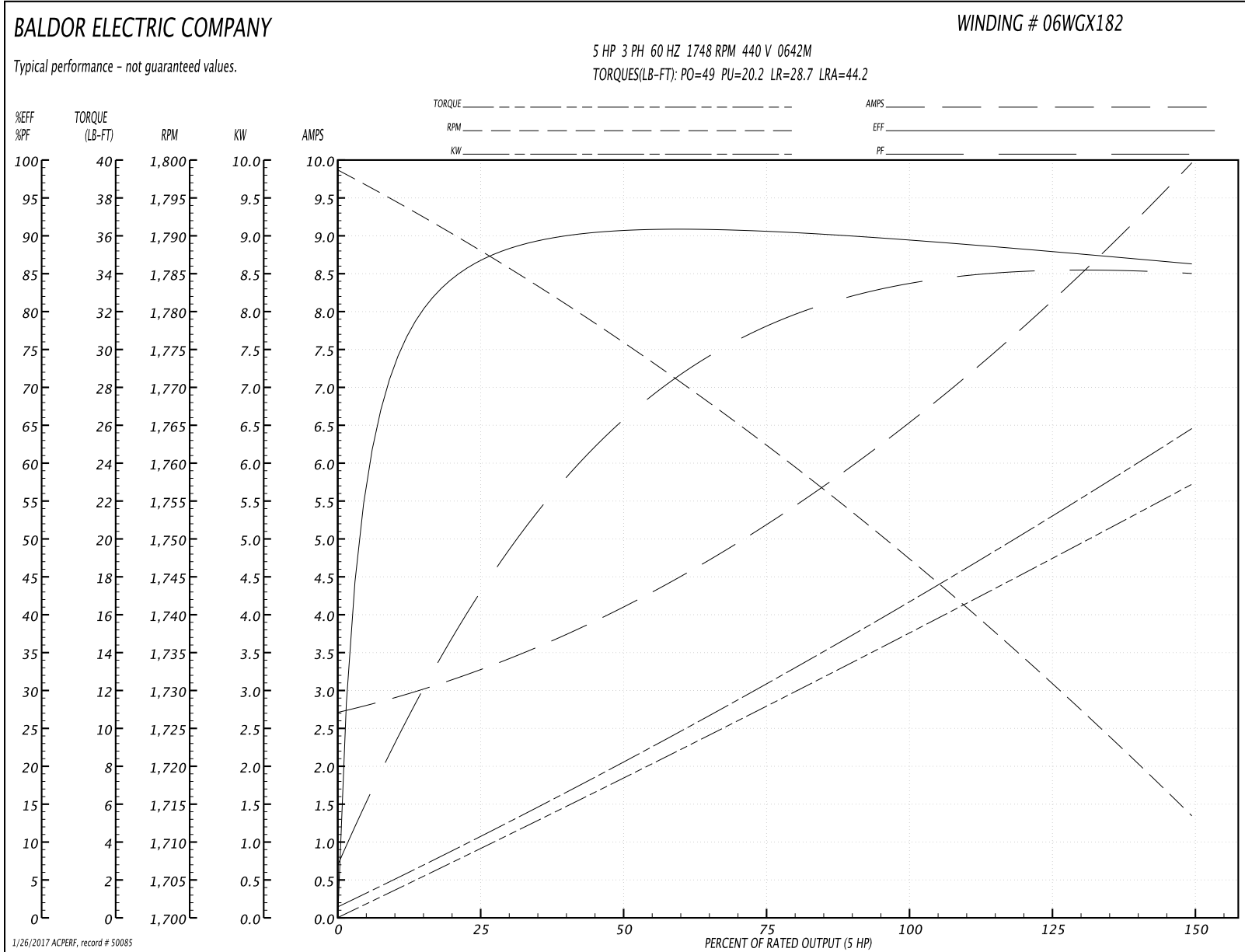
Winding: 06WGX182-R002	Type: 0642M	Enclosure: XPFC
-------------------------------	--------------------	------------------------

Nameplate Data				440 V, 60 Hz: High Voltage Connection	
Rated Output (HP)	5//3			Full Load Torque	15.1 LB-FT
Volts	230/460//190/380			Start Configuration	direct on line
Full Load Amps	13.2/6.6//10.4/5.2			Breakdown Torque	49 LB-FT
R.P.M.	1750//1450			Pull-up Torque	20.2 LB-FT
Hz	60//50	Phase	3	Locked-rotor Torque	28.7 LB-FT
NEMA Design Code	B	KVA Code	J	Starting Current	44.2 A
Service Factor (S.F.)	1			No-load Current	2.79 A
NEMA Nom. Eff.	89.5	Power Factor	79	Line-line Res. @ 25°C	2.63 Ω
Rating - Duty	40C AMB-CONT			Temp. Rise @ Rated Load	54°C
S.F. Amps				Temp. Rise @ S.F. Load	68°C
				Locked-rotor Power Factor	40.2
				Rotor inertia	0.391 LB-FT ²

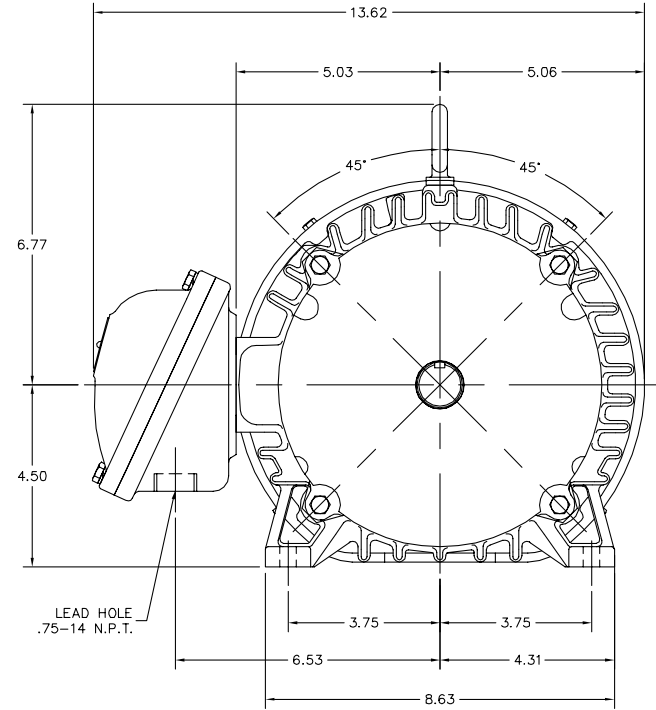
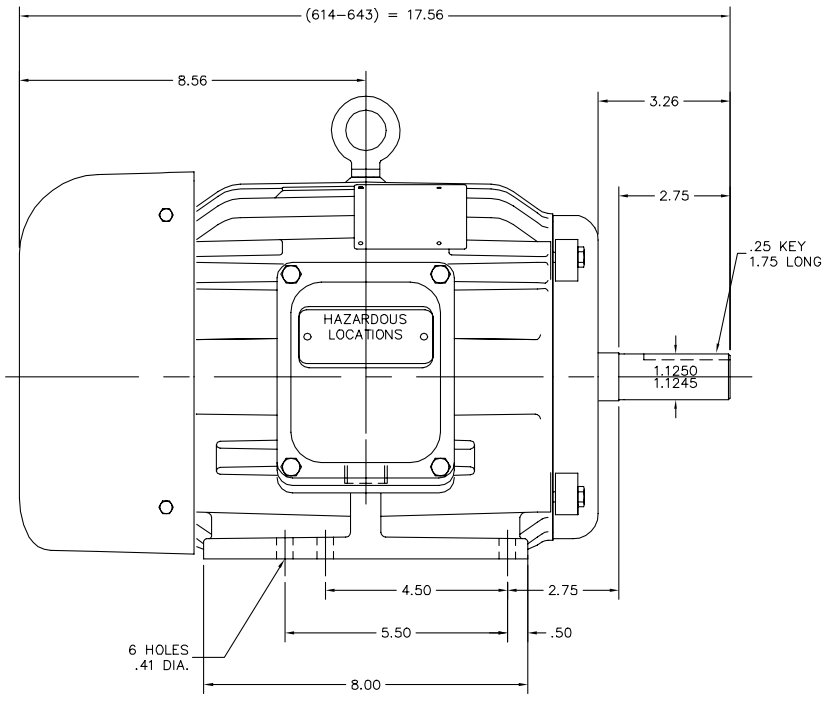
Load Characteristics 440 V, 60 Hz, 5 HP

% of Rated Load	25	50	75	100	125	150
Power Factor	45	67	78	83	85	86
Efficiency	86	90.2	90.3	89.9	88.2	86.1
Speed	1788	1775	1762	1748	1731	1713
Line amperes	3.17	4.06	5.25	6.61	8.19	9.92

Performance Graph at 440V, 60Hz, 5.0HP Typical performance - Not guaranteed values



06LYJ001



CUSTOMER IS RESPONSIBLE FOR DETERMINING THAT MOTOR PERFORMANCE IS SUITABLE IN THE APPLICATION.

REV. DESC: UPDATE TO INCLUDE 643 STACK		
REV. LTR: D	VERSION: 01	TDR: 000000460249
FILE: \AAA\00000\715	REVISED: 08:40:52 03/26/2008	BY: ENSTEKO
MTL: -		

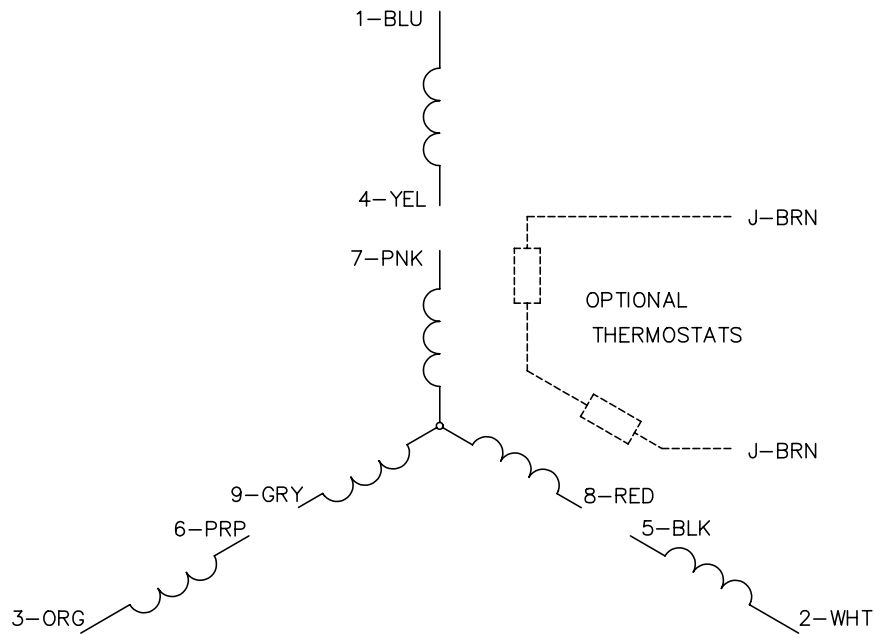
BALDOR • DODGE • RELIANCE

STD HOR 182-4T XPFC 306M CL 1 GP D, CL 2 GP F & G

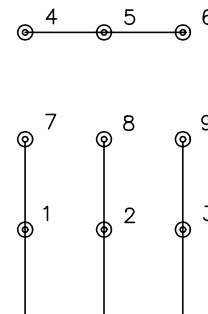
SH 1 of 1

06LYJ001

CD0005

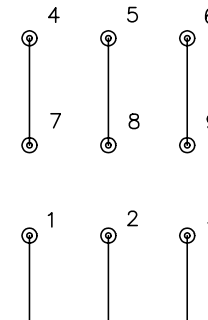


LOW VOLTAGE
(2Y)



LINE

HIGH VOLTAGE
(1Y)



LINE

NOTES:

1. INTERCHANGE ANY TWO LINE LEADS TO REVERSE ROTATION.
2. OPTIONAL THERMOSTATS ARE PROVIDED WHEN SPECIFIED.
3. ACTUAL NUMBER OF INTERNAL PARALLEL CIRCUITS MAY BE A MULTIPLE OF THOSE SHOWN ABOVE.
4. LEAD COLORS ARE OPTIONAL. LEADS MUST ALWAYS BE NUMBERED AS SHOWN.

REV. DESC: REVISE TO SHOW OPTIONAL COLORS			
REV. LTR: E	BY: JLP	REVISED: 01/19/99 10:15	TDR: 0171435
900000		FILE: AAA00005140	MDL: -
		MTL: -	

BALDOR ELECTRIC Co.

3PH, DV, 9 LEADS

CD0005