

BALDOR® • **RELIANCE**

Product Information Packet

FDL3510TM

1HP,1725RPM,1PH,60HZ,143T,3524L,TEFC,F1

Part Detail							
Revision:	H	Status:	PRD/A	Change #:		Proprietary:	No
Type:	AC	Prod. Type:	3524L	Elec. Spec:	35WGS245	CD Diagram:	CD0269
Enclosure:	TEFC	Mfg Plant:		Mech. Spec:	35E2360	Layout:	35LYE2360
Frame:	143T	Mounting:	F1	Poles:	04	Created Date:	12-18-2013
Base:	RG	Rotation:	R	Insulation:	F	Eff. Date:	01-24-2017
Leads:	4#16 A&J,2#18 B PH,1#14 #4TH					Replaced By:	
Literature:		Elec. Diagram:					

Nameplate NP1280L										
CAT.NO.	FDL3510TM									
SPEC.	35E2360S245G1									
HP	1									
VOLTS	115/230									
AMP	13/6.5									
RPM	1725									
FRAME	143T			HZ	60			PH	1	
SER.F.	1.15			CODE	K		DES	L	CL	F
NEMA-NOM-EFF	67			PF	73					
RATING	40C AMB-CONT									
CC							USABLE AT 208V	6.8		
DE	6205			ODE	6203					
ENCL	TEFC			SN						

Parts List		
Part Number	Description	Quantity
SA274226	SA 35E2360S245G1	1.000 EA
RA260813	RA 35E2360S245G1	1.000 EA
TPMRD4797	THERMAL 1PH 0.75 MAN REF MRD4749 T	1.000 EA
EC1645A06SP	ELEC CAP, 645-774 MFD, 125V, 2.06D X 4.	1.000 EA
NS2512A01	INSULATOR, CONDUIT BOX X	1.000 EA
35CB3009A18	35 CB 1.09 DIA @ 6:00, .75 MTO @ 3:00	1.000 EA
36GS1000SP	GASKET-CONDUIT BOX, .06 THICK #SV-330 LE	1.000 EA
51XB1016A07	10-16 X 7/16 HXWSSLD SERTYB	2.000 EA
11XW1032G06	10-32 X .38, TAPTITE II, HEX WSHR SLTD U	1.000 EA
HA6001A01	THERMAL RETAINER (PLATED)	1.000 EA
51XB1214A10	12-14 X 5/8HX WS SL SR TYBX	2.000 EA
RM1014A01SP	BUTYL RUB.THRM COV. (MENA)	1.000 EA
51XW0832A07	8-32 X .44, TAPTITE II, HEX WSHR SLTD SE	2.000 EA
35EP3100M02	FREP TEFC 203 BRG W/O GRSR (RAISED FH MT	1.000 EA
35CB4802A02SP	CAPACITOR COVER, STAMPED X	1.000 EA
35GS3001A02	GASKET, CA.COVER, 5.38 LONG .06 CS301	1.000 EA
NS2501A01	INSULATOR, CAPACITOR	1.000 EA
51XB1016A05	10-16X5/16HX WA SL SR TYB (F/S)	2.000 EA
HW5100A03SP	WAVY WASHER (W1543-017)	1.000 EA
35PE3101A12	PULLEY ENDPLATE ASSEMBLY	1.000 EA
HW4600B49	SEAL 0.938 X 1.624 X 0.250 SINGLE LIP DB	1.000 EA
HW4600B32SP	V-RING SLINGER 1.000 X 1.540 X .24 VITON	1.000 EA
51XB1214A16	12-14X1.00 HXWSSLD SERTYB	1.000 EA
XY1032A02	10-32 HEX NUT DIRECTIONAL SERRATION	4.000 EA

Parts List (continued)		
Part Number	Description	Quantity
35FH4005A32SP	IEC FH NO GRSR W/3 HOLES - PRIMED	1.000 EA
51XW1032A06	10-32 X .38, TAPTITE II, HEX WSHR SLTD S	3.000 EA
35CB4521GX	CONDUIT BOX LID KIT	1.000 EA
51XW0832A07	8-32 X .44, TAPTITE II, HEX WSHR SLTD SE	4.000 EA
HA1005A05SP	SLINGER, OD 1.50, ID .659, 203 BRG	1.000 EA
HW2501D13	KEY, 3/16 SQ X 1.375	1.000 EA
HA7000A01	KEY RETAINER 7/8" DIA SHAFT	1.000 EA
85XU0407S04	4X1/4 U DRIVE PIN STAINLESS	2.000 EA
LB1087	LABEL,MANUAL RESET (ROLL LABEL)	1.000 EA
MJ5001A27	32220KN GRAY SEALER *MIN BUY 4 QTS=1GAL	0.001 QT
WD1000A15	3-520132-2 AMP FLAG (4M/RL NON-CANC/NON-	2.000 EA
MJ1000A02	GREASE, POLYREX EM EXXON (USe 4824-15A)	0.050 LB
35FN3002A05	EXFN, PLASTIC, 6.376 OD, .638 ID	1.000 EA
MG1025C02	WILKOFASG SG, 787.105, TAN	0.017 GA
HA3100A18	THRUBOLT 10-32 X 9.250	4.000 EA
TP5059	GENERIC THERMAL KIT	1.000 EA
SP5055A67	MODEL 35 TYPE L STATIONARY SWITCH	1.000 EA
LC0269	1PH,DV,REV,THERMAL,7 LD,L.AMP THRU HTR H	1.000 EA
LB1119N	WARNING LABEL	1.000 EA
MN416A01	TAG-INSTAL-MAINT no wire (1000/bx) 11/14	1.000 EA
NP1280L	ALUM FARM DUTY UL CSA CC THERMAL	1.000 EA
36PA1000	PKG GRP, PRINT PK1016A06	1.000 EA

Accessories		
Part Number	Description	Multiplier
35-8762	C FACE KIT	A8
35EP1506A01SP	D-FLANGE KIT	A8

AC Induction Motor Performance Data

Record # 61934 - Typical performance - not guaranteed values

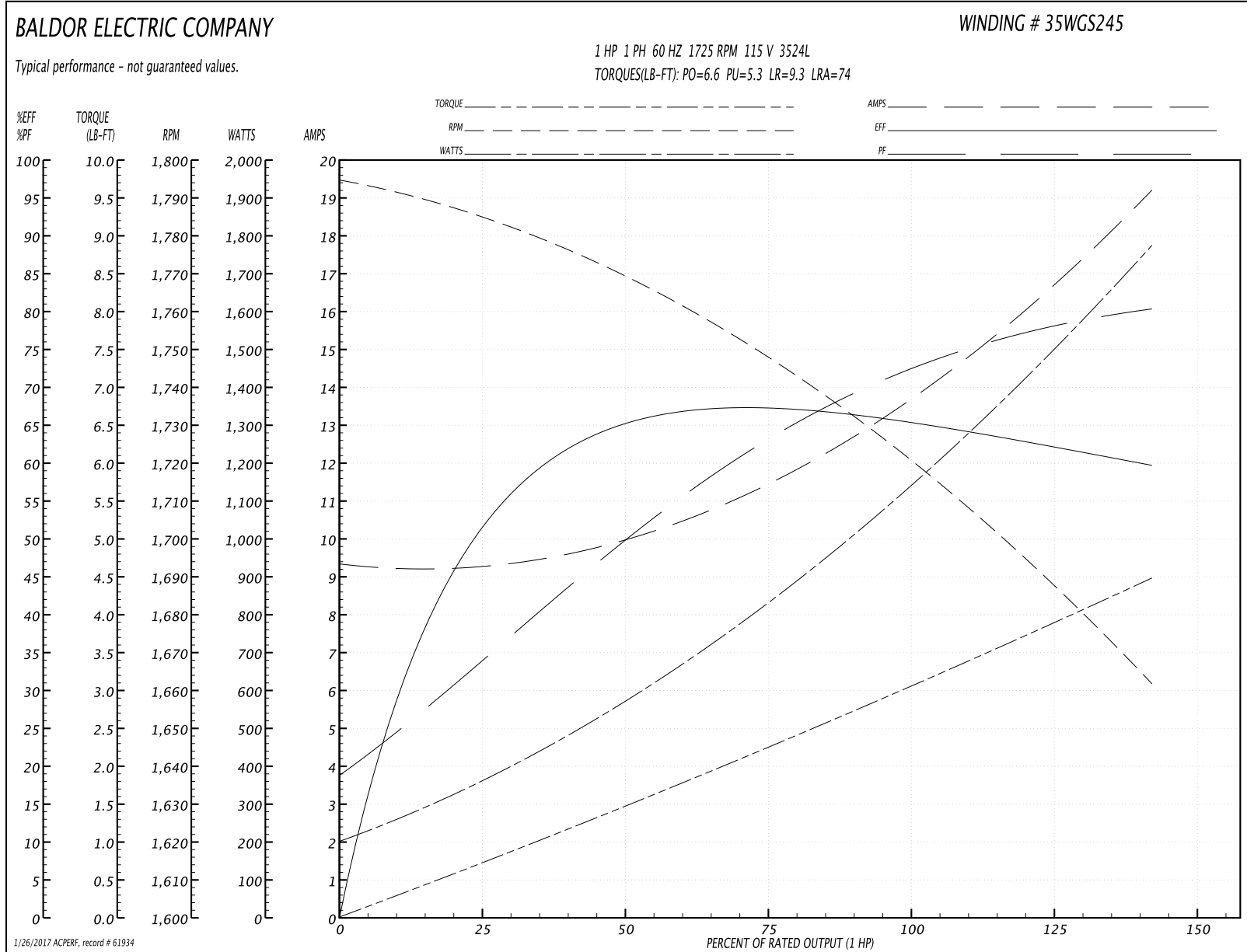
Winding: 35WGS245-R004	Type: 3524L	Enclosure: TEFC
-------------------------------	--------------------	------------------------

Nameplate Data				115 V, 60 Hz: Low Voltage Connection	
Rated Output (HP)	1			Full Load Torque	3 LB-FT
Volts	115/230			Start Configuration	direct on line
Full Load Amps	13/6.5			Breakdown Torque	6.6 LB-FT
R.P.M.	1725			Pull-up Torque	5.3 LB-FT
Hz	60	Phase	1	Locked-rotor Torque	9.3 LB-FT
NEMA Design Code	L	KVA Code	K	Starting Current	74 A
Service Factor (S.F.)	1.15			No-load Current	9.2 A
NEMA Nom. Eff.	67	Power Factor	73	Line-line Res. @ 25°C	0.693 Ω A Ph 1.77 Ω B Ph
Rating - Duty	40C AMB-CONT			Temp. Rise @ Rated Load	75°C
S.F. Amps				Temp. Rise @ S.F. Load	87°C
				Locked-rotor Power Factor	92.3
				Rotor inertia	0.142 LB-FT ²

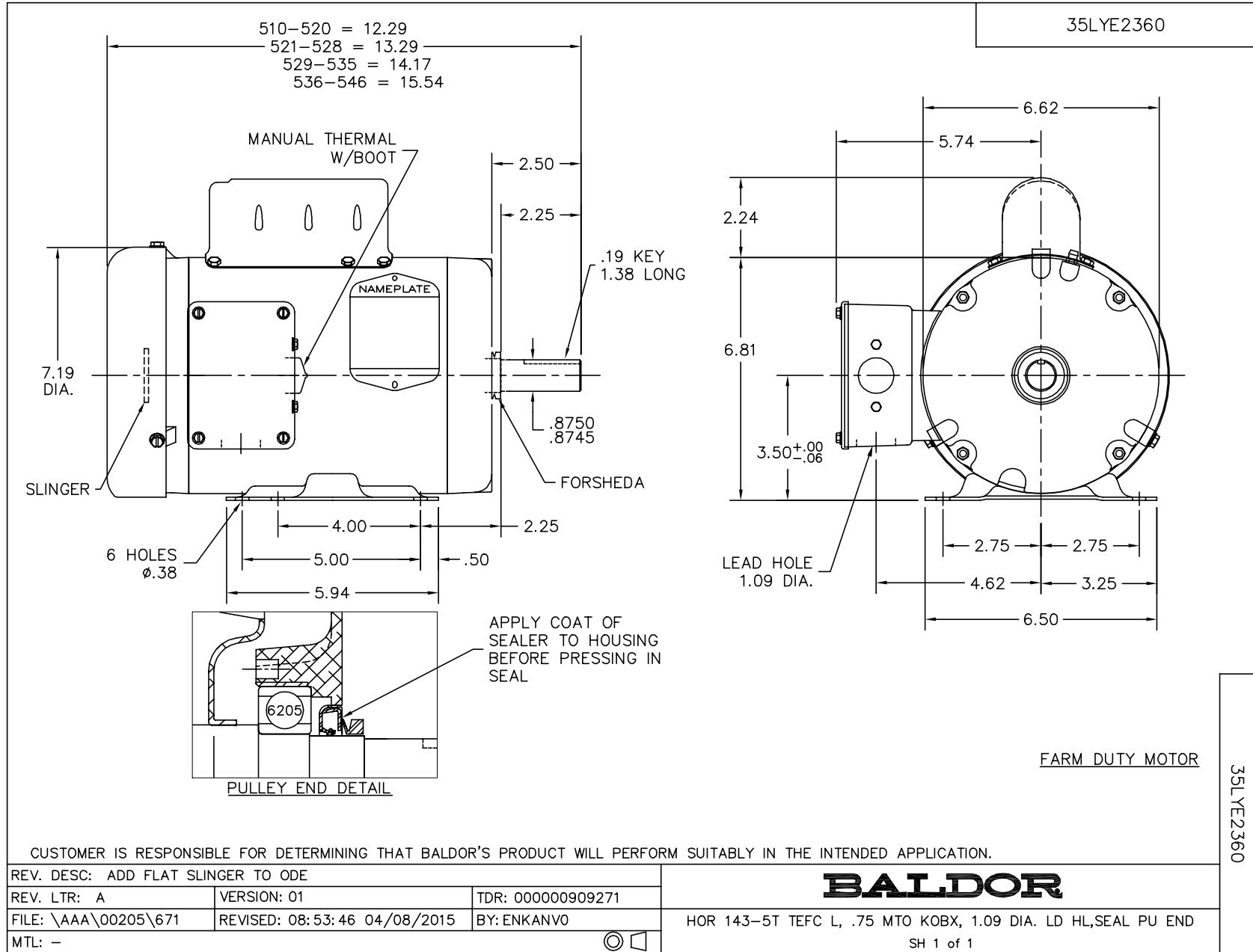
Load Characteristics 115 V, 60 Hz, 1 HP

% of Rated Load	25	50	75	100	125	150	S.F.
Power Factor	34	51	64	72	77	81	75
Efficiency	51.1	63	66.8	66.6	63.9	58.9	65
Speed	1781	1766	1749	1725	1697	1658	1708
Line amperes	9.4	10.2	11.4	13.4	16	19.4	15

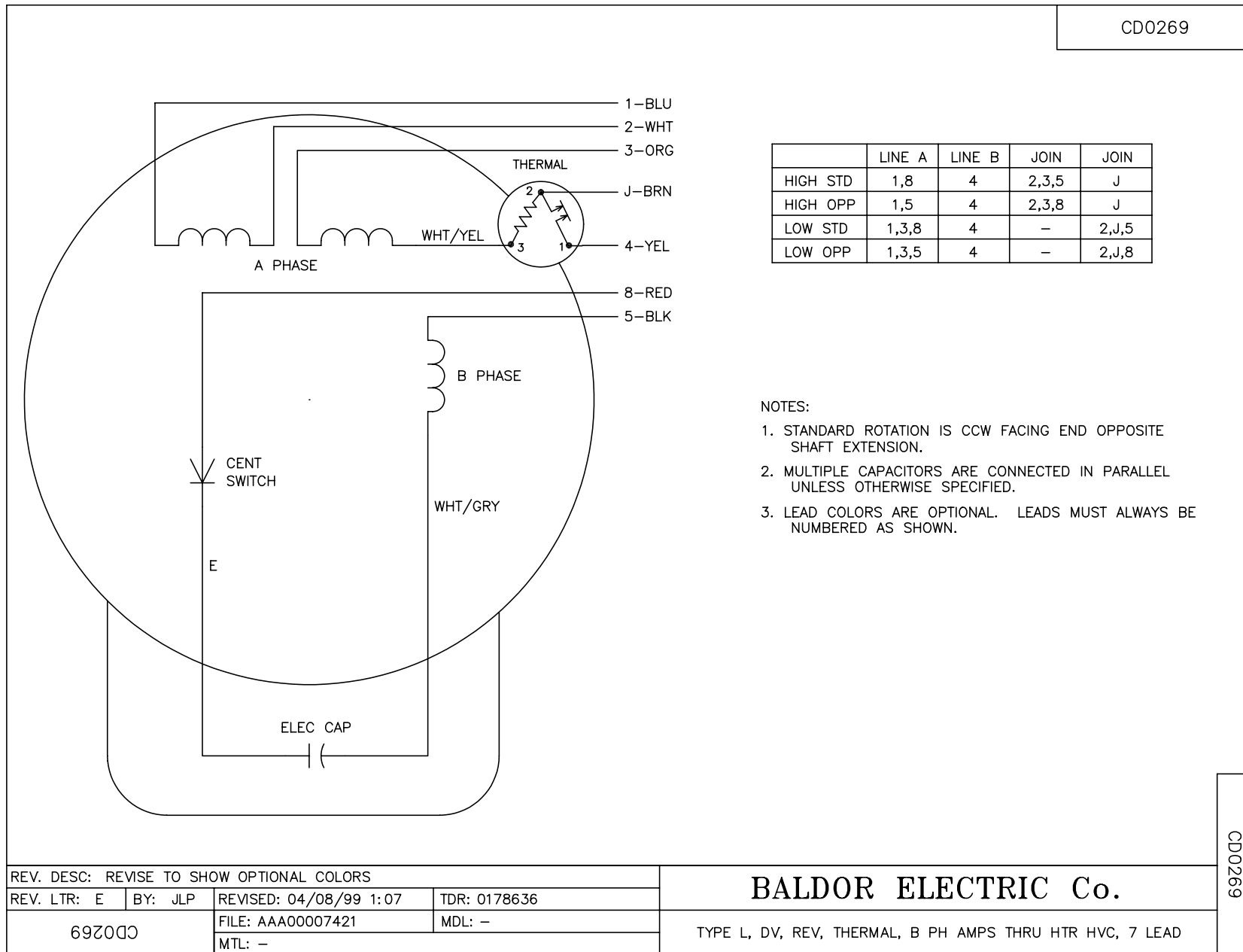
Performance Graph at 115V, 60Hz, 1.0HP Typical performance - Not guaranteed values



1/26/2017 ACPERF, record # 61934



CD0269



NOTES:

1. STANDARD ROTATION IS CCW FACING END OPPOSITE SHAFT EXTENSION.
2. MULTIPLE CAPACITORS ARE CONNECTED IN PARALLEL UNLESS OTHERWISE SPECIFIED.
3. LEAD COLORS ARE OPTIONAL. LEADS MUST ALWAYS BE NUMBERED AS SHOWN.

REV. DESC: REVISE TO SHOW OPTIONAL COLORS			
REV. LTR: E	BY: JLP	REVISED: 04/08/99 1:07	TDR: 0178636
692000		FILE: AAA00007421	MDL: -
		MTL: -	

BALDOR ELECTRIC Co.

TYPE L, DV, REV, THERMAL, B PH AMPS THRU HTR HVC, 7 LEAD

CD0269