

BALDOR® • *RELIANCE*

Product Information Packet

GPF13530

G.M. J28JA 180V DC 167 RPM

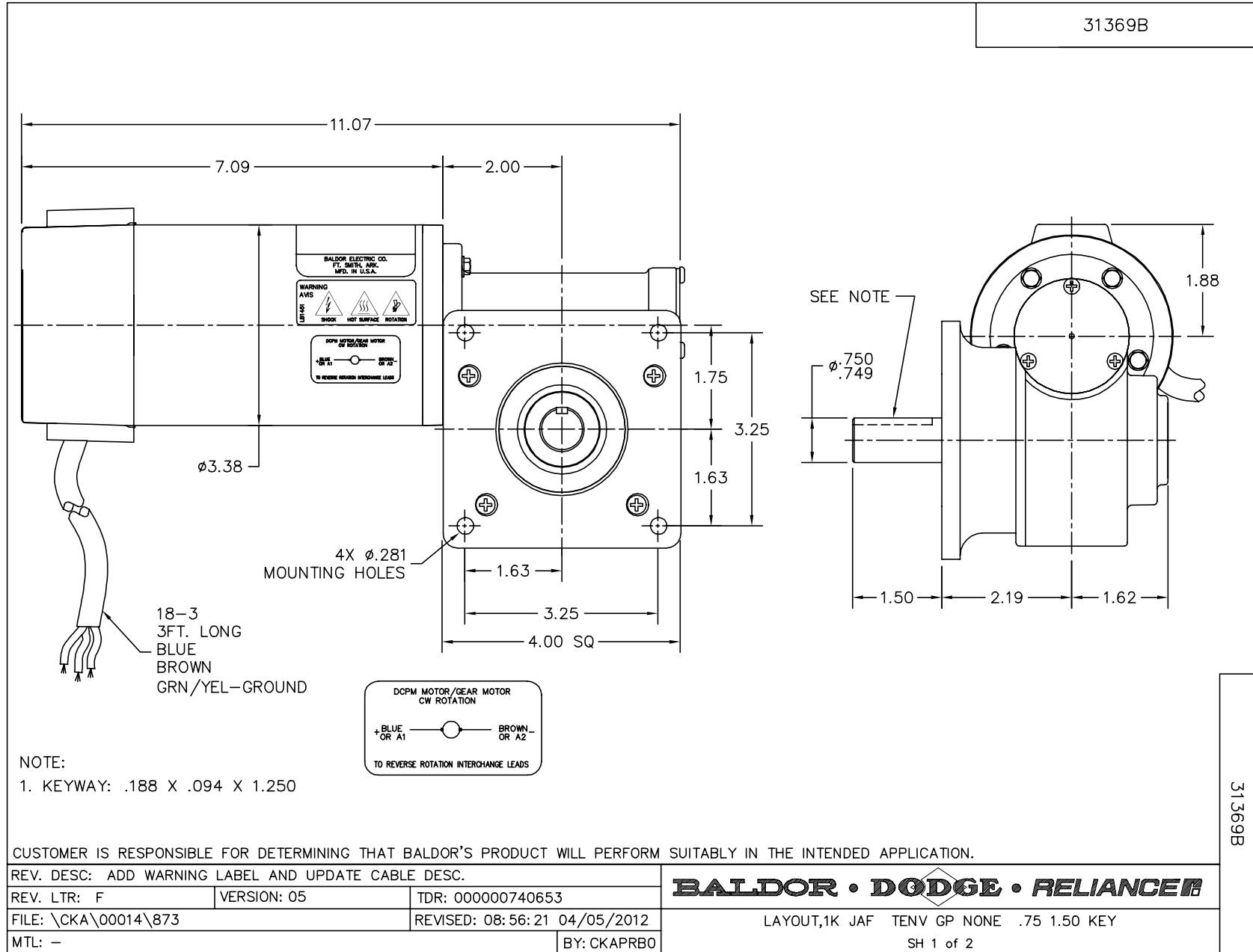
Part Detail							
Revision:	Z	Status:	PRD/A	Change #:		Proprietary:	No
Type:		Prod. Type:		Elec. Spec:		CD Diagram:	
Enclosure:	TENV	Mfg Plant:		Mech. Spec:		Layout:	31369B
Frame:	JAF	Mounting:		Poles:		Created Date:	
Base:		Rotation:	R	Insulation:		Eff. Date:	05-11-2016
Field Type:		Literature:		Elec. Diagram:		Replaced By:	

Nameplate NP1220A08

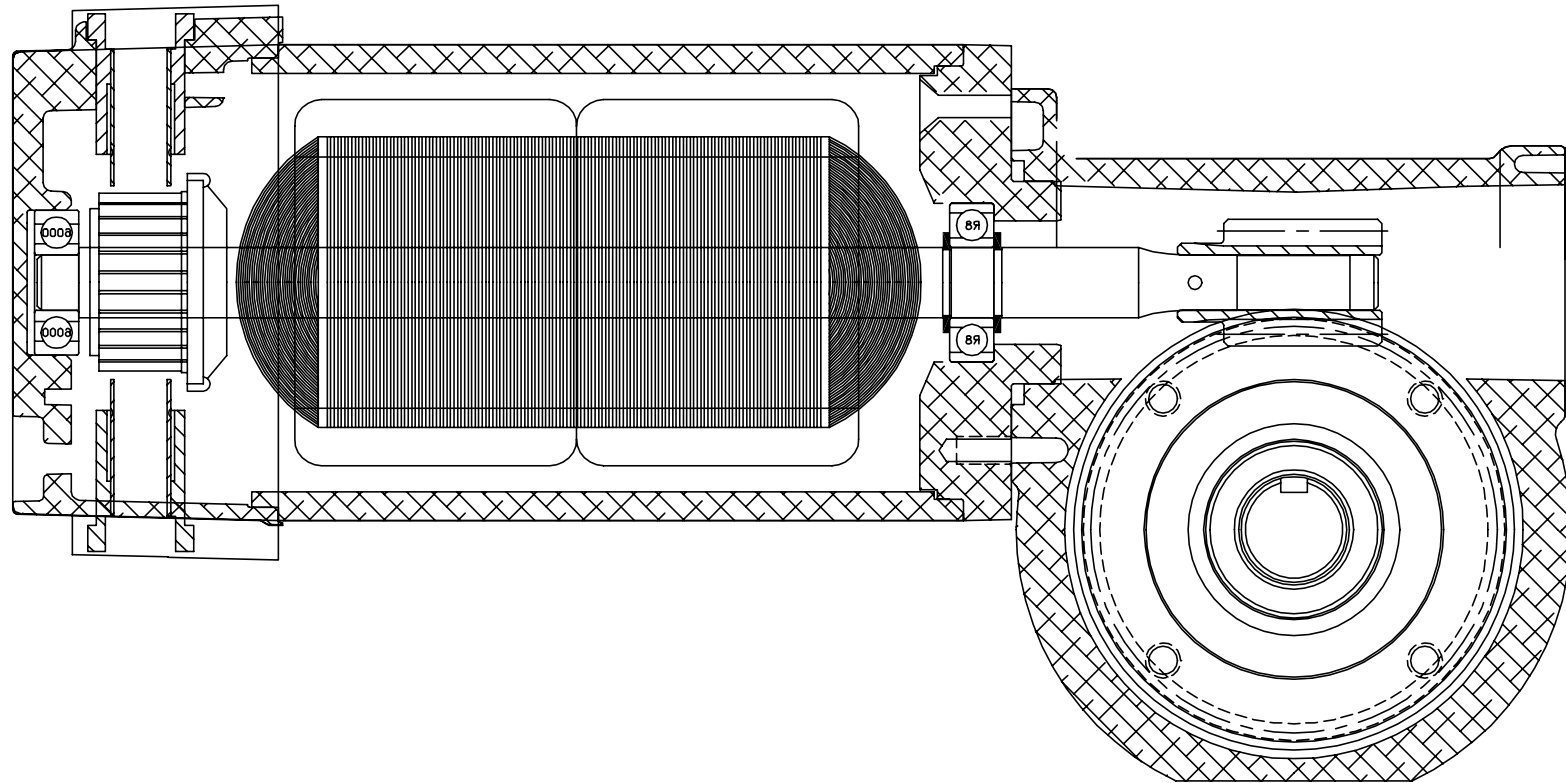
CAT.NO.	GPF13530		
SER.NO.			
SPEC.	31369B		
FRAME	135-JAF-0	TYPE	135P
HP	1/5	TE	
VOLTS	180DC		
AMP	1.0		
F.F.		CLASS	F
AMB.	40C	DUTY	CONT
BRUSHES	2/BP5052BP01		
R.P.M.	167		
TORQ/IN LB	55		
RATIO	15:1		
APRV-CE		APRV-CUL	

Parts List		
Part Number	Description	Quantity
NP1220A08	NP,DC STD AD NONE V GEAR MOTOR CE CUL	1.000 EA
MN416A01	TAG-INSTAL-MAINT no wire (1200/bx) 11/14	1.000 EA
24EP3106A05G	EP,24DC DE CL R8 RA HOR.THUR BOLTS	1.000 EA
HW5002A44	N5002-112 RET RING INTERNBEVELED F/6001	1.000 EA
BG60R8C03	R8 D.SH,C3,POLYREX EM (INCH BRG)	1.000 EA
HW4600G70	SEAL .500" X .875" X .200 SGL LIP FT802	1.000 EA
24SA3000C06G	CTR,ASM, 135F W/GRAY POWDER COATING	1.000 EA
BWA10325G	WIRED HSG. ASM, 40" 18-3 4R POS	1.000 EA
BAA1350164	ARM.ASM, 135F W/TANG COMM.	1.000 EA
HA3100S53	THRUBOLT - 10-32 X 6.750 SS	2.000 EA
BP5052BP01SP	BRUSH, GRADE R884 NATIONAL CARBON (FOR 1	1.000 EA
BP4530SP	BRUSH TUBE CAP:BBR1094	1.000 EA
HW5109A13	WASHER, WAVE SPRING FOR 26MM BORE SMALLE	1.000 EA
GH0003A25G	GEARHEAD ASS'Y.-JAF 1 CAP DESIGN 15:1	1.000 EA
LB1451	WARNING LABEL, CE WARNING SYMBOLS ONLY	1.000 EA
LC0899A07	CONNECTION LABEL, DCPM CW ROTATION CE CO	1.000 EA
CPA1000	PACKING GROUP STD. SINGLE	1.000 EA
MG2000A14	RUST VETO 342 RUST INHIBITOR	0.001 GA

Accessories		
Part Number	Description	Multiplier
BC139	.25HP-230V/SCR CNTL,AC,HP RES REQ.	E9
BC140	CS2934A,120/240VAC .5/1-HP SCR CTL,NEMA	E9
BC140-FBR	3479G KBMD-240D w/FBR CN3000A54	E9
BC142	3HP-230V/ CHASSIS MOUNT/KBMM-225	E9
BR0100	PLUG IN RESISTOR	E9



31369B



31369B

CUSTOMER IS RESPONSIBLE FOR DETERMINING THAT BALDOR'S PRODUCT WILL PERFORM SUITABLY IN THE INTENDED APPLICATION.

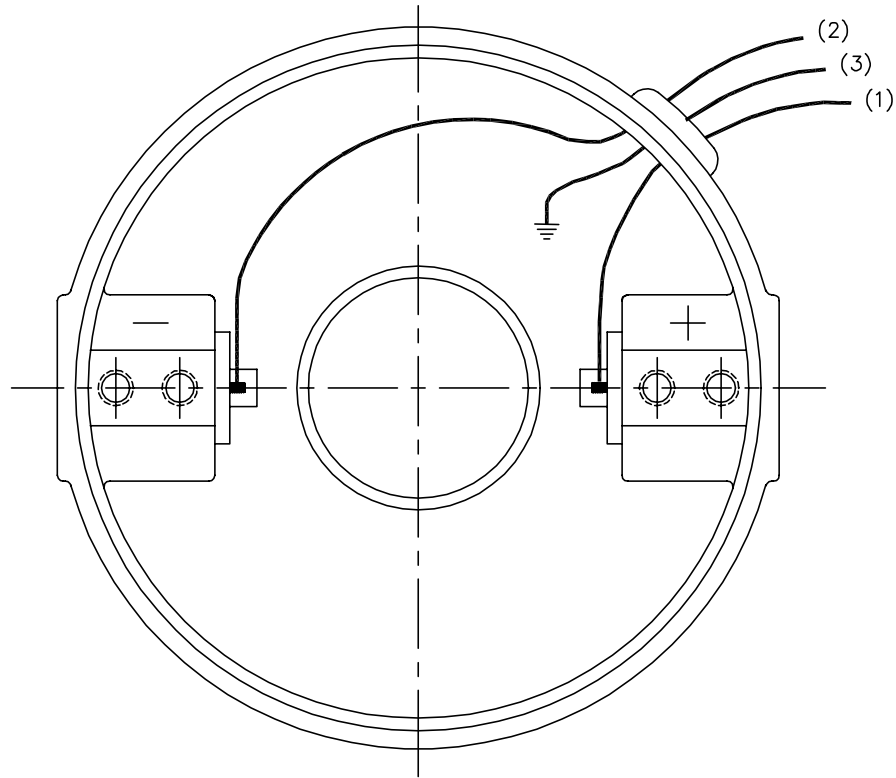
REV. DESC: ADD WARNING LABEL AND UPDATE CABLE DESC.		
REV. LTR: F	VERSION: 05	TDR: 000000740653
FILE: \CKA\00014\873	REVISED: 08:56:22 04/05/2012	
MTL: -	BY: CKAPRBO	

BALDOR • DODGE • RELIANCE

LAYOUT,1K JAF TENV GP NONE .75 1.50 KEY

SH 2 of 2

CD1900



VIEWED FROM
DRIVE END

(1) COLOR MAY BE
RED
WHT
BLU

(2) COLOR MAY BE
BLK
BRN

(3) COLOR WHEN REQ.
GRN
GRN/YEL

REV. DESC: NEW			
REV. LTR: -	BY: PAW	REVISED: 09:34:46 09/16/2004	TDR: 341564
006100		FILE: CKA00025831	REF: CD1900
		MTL: -	

BALDOR ELECTRIC Co.

PM,2LD,REV,TANG,CK

CD1900