

BALDOR® • RELIANCE

Product Information Packet

JL3510A

1HP,1725RPM,1PH,60HZ,56J,3528L,TEFC,F1

Part Detail							
Revision:	V	Status:	PRD/A	Change #:		Proprietary:	No
Type:	AC	Prod. Type:	3528L	Elec. Spec:	35WG0527	CD Diagram:	CD0094
Enclosure:	TEFC	Mfg Plant:		Mech. Spec:	35F083	Layout:	35LYF083
Frame:	56J	Mounting:	F1	Poles:	04	Created Date:	
Base:	N	Rotation:	FOS	Insulation:	B	Eff. Date:	04-02-2015
Leads:	4#18 A&J,1#14 #4TH		Y			Replaced By:	
Literature:		Elec. Diagram:					

Nameplate NP1257L	
CAT.NO.	JL3510A
SPEC.	35F083-0527G1
HP	1
VOLTS	115/230
AMP	12.4/6.2
RPM	1725
FRAME	56J
SER.F.	1.00
NEMA-NOM-EFF	67
RATING	40C AMB-CONT
CC	
DE	6205
ENCL	TEFC
CODE	K
PF	68
HZ	60
DES	L
CL	B
PH	1
ODE	6203
SN	
USABLE AT 208V	

Parts List		
Part Number	Description	Quantity
SA024508	SA 35F083-0527G1	1.000 EA
RA020558	RA 35F083-0527G1	1.000 EA
TP5059	GENERIC THERMAL KIT	1.000 EA
EC1645A06SP	ELEC CAP, 645-774 MFD, 125V, 2.06D X 4.	1.000 EA
NS2512A01	INSULATOR, CONDUIT BOX X	1.000 EA
35CB3007	35 CB CASTING W/.88 DIA. LEAD HOLE	1.000 EA
36GS1000	GASKET-CONDUIT BOX, .06 THICK #SV-330 LE	1.000 EA
51XB1016A07	10-16 X 7/16 HXWSSLD SERTYB	2.000 EA
11XW1032G06	10-32 X .38, TAPTITE II, HEX WSHR SLTD U	1.000 EA
35EP3100M02	FREP TEFC 203 BRG W/O GRSSR (RAISED FH MT	1.000 EA
51XW0832A07	8-32 X .44, TAPTITE II, HEX WSHR SLTD SE	2.000 EA
85XU0407S04	4X1/4 U DRIVE PIN STAINLESS	2.000 EA
NS2501A01	INSULATOR, CAPACITOR	1.000 EA
51XB1016A05	10-16X5/16HX WA SL SR TYB (F/S)	2.000 EA
HW5100A03SP	WAVY WASHER (W1543-017)	1.000 EA
35EP3300A02SP	PU ENDPLATE, MACH	1.000 EA
51XN1032A20	10-32 X 1 1/4 HX WS SL SR	2.000 EA
35FN3002A05	EXFN, PLASTIC, 6.376 OD, .638 ID	1.000 EA
51XB1214A16	12-14X1.00 HXWSSLD SERTYB	1.000 EA
35FH4005A55	IEC FH NO GRSSR,3 MTG HOLE NO DIMPLES,	1.000 EA
51XW1032A06	10-32 X .38, TAPTITE II, HEX WSHR SLTD S	3.000 EA
WD4100A10	465 NIAGARA PLUG (SO ELEC),FOR 1.093 DIA	1.000 EA
35CB4521GX	CONDUIT BOX LID KIT	1.000 EA
51XW0832A07	8-32 X .44, TAPTITE II, HEX WSHR SLTD SE	4.000 EA

Parts List (continued)		
Part Number	Description	Quantity
WD1000A15	3-520132-2 AMP FLAG (4M/RL NON-CANC/NON-	2.000 EA
MJ1000A02	GREASE, POLYREX EM EXXON (USe 4824-15A)	0.050 LB
MG1000G27	MED CHARCOAL METALLIC GREY 400-0096	0.017 GA
LB1009N	LABEL,ROTATION DIRECTION (ON ROLLS)	1.000 EA
SP5055A27	MODEL 35 TYPE L STATIONARY SWITCH LEAD A	1.000 EA
35CB4802A02SP	CAPACITOR COVER, STAMPED X	1.000 EA
35GS3001A02	GASKET, CA.COVER, 5.38 LONG .06 CS301	1.000 EA
HA3100A15	THRUBOLT 10-32 X 8.375	4.000 EA
LB1118	LABEL,WARNING (ROLL LABEL)	1.000 EA
LC0031	CONNECTION LABEL	1.000 EA
NP1257L	ALUM UL CSA CC THERMAL REV MTG	1.000 EA
PK3082	STYROFOAM CRADLE	1.000 EA
35PA1066	PKG GRP, PRINT PK1008A06	1.000 EA
MN416A01	TAG-INSTAL-MAINT no wire (1200/bx) 11/14	1.000 EA

AC Induction Motor Performance Data
Record # 8082 - Typical performance - not guaranteed values

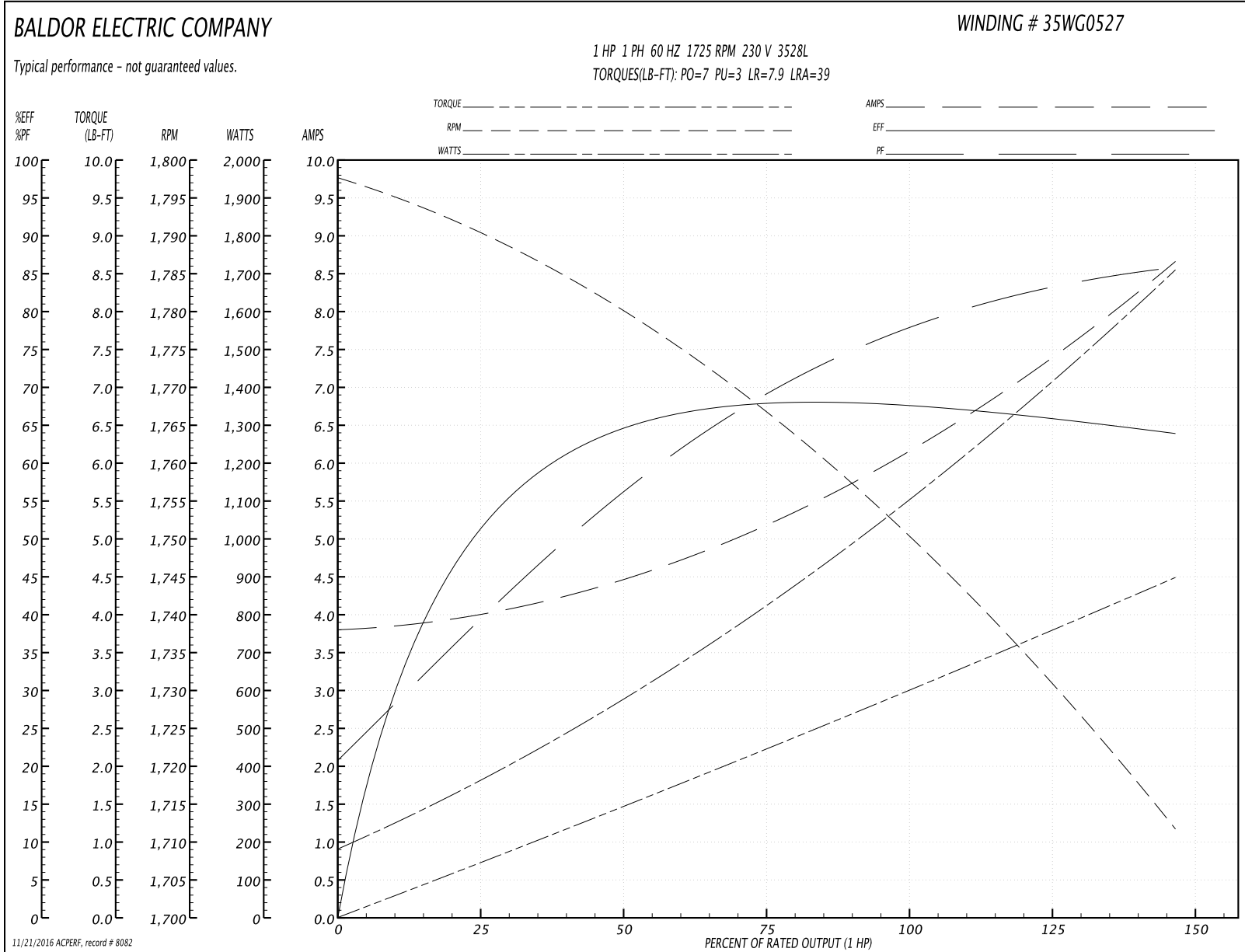
Winding: 35WG0527-R001	Type: 3528L	Enclosure: TEFC
-------------------------------	--------------------	------------------------

Nameplate Data				230 V, 60 Hz: High Voltage Connection	
Rated Output (HP)	1			Full Load Torque	3 LB-FT
Volts	115/230			Start Configuration	direct on line
Full Load Amps	12.4/6.2			Breakdown Torque	7 LB-FT
R.P.M.	1725			Pull-up Torque	3 LB-FT
Hz	60	Phase	1	Locked-rotor Torque	7.9 LB-FT
NEMA Design Code	L	KVA Code	K	Starting Current	39 A
Service Factor (S.F.)	1			No-load Current	3.8 A
NEMA Nom. Eff.	67	Power Factor	68	Line-line Res. @ 25°C	2.73 Ω A Ph 1.76 Ω B Ph
Rating - Duty	40C AMB-CONT			Temp. Rise @ Rated Load	42°C

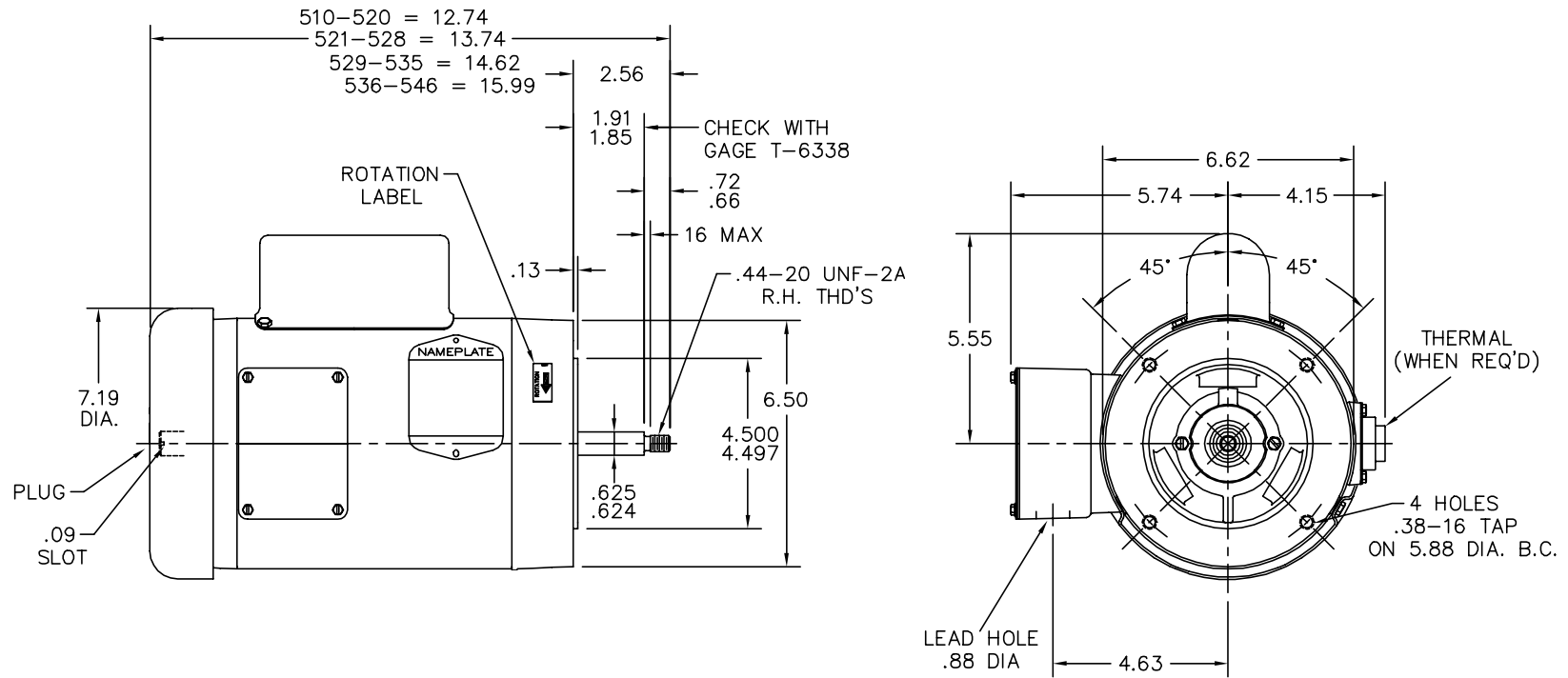
Load Characteristics 230 V, 60 Hz, 1 HP

% of Rated Load	25	50	75	100	125	150	S.F.
Power Factor	40	57	70	77	83	86	81
Efficiency	51	64.5	67	68.5	66.5	63.5	67.5
Speed	1790	1780	1765	1750	1735	1710	1742
Line amperes	4	4.5	5.2	6.2	7.25	8.7	6.8

Performance Graph at 230V, 60Hz, 1.0HP Typical performance - Not guaranteed values



35LYF083



CUSTOMER IS RESPONSIBLE FOR DETERMINING THAT BALDOR'S PRODUCT WILL PERFORM SUITABLY IN THE INTENDED APPLICATION.

REV. DESC: 'GAGE T-6338' WAS 'GAGE -6338'		
REV. LTR: Q	VERSION: 01	TDR: 000000544868
FILE: \AAA\00008\274		REVISED: 08:17:38 06/10/2010
MTL: -		BY: ENSTESO

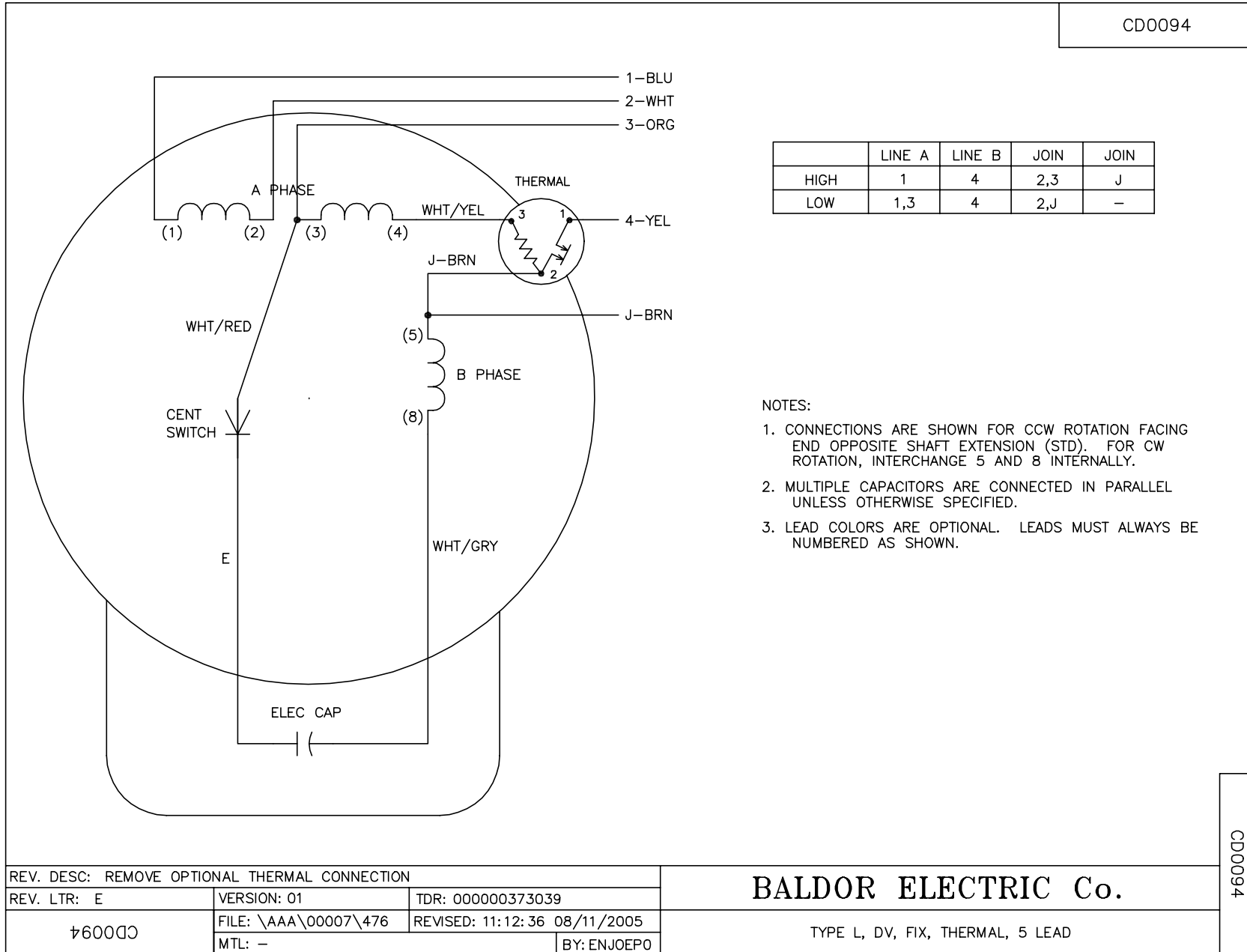
BALDOR

STD FACE MTD VERT 56J TEFC 35L

SH 1 of 1

35LYF083

CD0094



CD0094

REV. DESC: REMOVE OPTIONAL THERMAL CONNECTION		
REV. LTR: E	VERSION: 01	TDR: 000000373039
CD0094	FILE: \AAA\00007\476	REVISED: 11:12:36 08/11/2005
	MTL: -	BY: ENJOEPO

BALDOR ELECTRIC Co.

TYPE L, DV, FIX, THERMAL, 5 LEAD