

# **BALDOR® • RELIANCE**

## **Product Information Packet**

# **RM3116A**

**1HP,1750RPM,3PH,60HZ,56H,3516M,OPEN,F1,N**

Part Detail							
Revision:	B	Status:	PRD/A	Change #:		Proprietary:	No
Type:	AC	Prod. Type:	3424M	Elec. Spec:	34WGX730	CD Diagram:	CD0007
Enclosure:	OPEN	Mfg Plant:		Mech. Spec:	34K019	Layout:	34LYK019
Frame:	56	Mounting:	F1	Poles:	04	Created Date:	04-05-2013
Base:	RS	Rotation:	R	Insulation:	B	Eff. Date:	02-11-2015
Leads:	12#18					Replaced By:	
Literature:		Elec. Diagram:					

<b>Nameplate NP1257L</b>	
<b>CAT.NO.</b>	RM3116A
<b>SPEC.</b>	34K019X730G1
<b>HP</b>	1 AIR OVER
<b>VOLTS</b>	230/460
<b>AMP</b>	4/2
<b>RPM</b>	1725
<b>FRAME</b>	56
<b>HZ</b>	60
<b>PH</b>	3
<b>SER.F.</b>	1.15
<b>CODE</b>	L
<b>DES</b>	B
<b>CL</b>	B
<b>NEMA-NOM-EFF</b>	78.5
<b>PF</b>	70
<b>RATING</b>	40C AMB-CONT
<b>CC</b>	USABLE AT 208V 3.9
<b>DE</b>	6203
<b>ODE</b>	6203
<b>ENCL</b>	OPEN
<b>SN</b>	

Parts List		
Part Number	Description	Quantity
SA261229	SA 34K019X730G1	1.000 EA
RA247966	RA 34K019X730G1	1.000 EA
SP1000A01	TERM BOARD, MODEL 34 SW	1.000 EA
51XW0832A07	8-32 X .44, TAPTITE II, HEX WSHR SLTD SE	3.000 EA
34CB4501SP	TERMINAL BOX LID, STAMPED X (PLATED)	1.000 EA
51XW0832A07	8-32 X .44, TAPTITE II, HEX WSHR SLTD SE	2.000 EA
LD5000A52	LEAD ASSY W/INTERNAL STAR RING TERMINALS	1.000 EA
11XT1032A06	10-32 X 3/8 HX WSHR HD SLTD TYPE 23	2.000 EA
34EP3202A01SP	FR ENDPLATE, MACH	1.000 EA
RM1000A03	CUSHION RING, MDL 17-33-34	1.000 EA
RM1000A03	CUSHION RING, MDL 17-33-34	1.000 EA
HA6004A01A	CLAMP CUSHION RING ASSY	2.000 EA
WD4100A01	DP-875 HEYCO PLUG OR 62MP0875 MICRO PLAS	1.000 EA
51XW0832G07	8-32 X 7/16 TY23 HXWS SLDSR GR	1.000 EA
HW5100A03SP	WAVY WASHER (W1543-017)	1.000 EA
34EP3203A01	PU ENDPLATE, MACH	1.000 EA
XY1032A02	10-32 HEX NUT DIRECTIONAL SERRATION	4.000 EA
HW2501D13	KEY, 3/16 SQ X 1.375	1.000 EA
HA7000A04	KEY RETAINER 0.625 DIA SHAFTS	1.000 EA
10XF0440S02	04-40 X 1/8 TYPE F HEX HD STAINLESS STIC	2.000 EA
HA3100A45	THRUBOLT 10-32 X 8.875	4.000 EA
34BA4003G01	RESILIENT BASE	1.000 EA
MN416A01	TAG-INSTAL-MAINT no wire (1200/bx) 11/14	1.000 EA
LC0007	CONNECTION LABEL	1.000 EA

<b>Parts List (continued)</b>		
<b>Part Number</b>	<b>Description</b>	<b>Quantity</b>
LB1118	LABEL,WARNING (ROLL LABEL)	1.000 EA
NP1257L	ALUM UL CSA CC THERMAL REV MTG	1.000 EA
35PA1000	PKG GRP, PRINT PK1008A06	1.000 EA

**AC Induction Motor Performance Data**

Record # 41858 - Typical performance - not guaranteed values

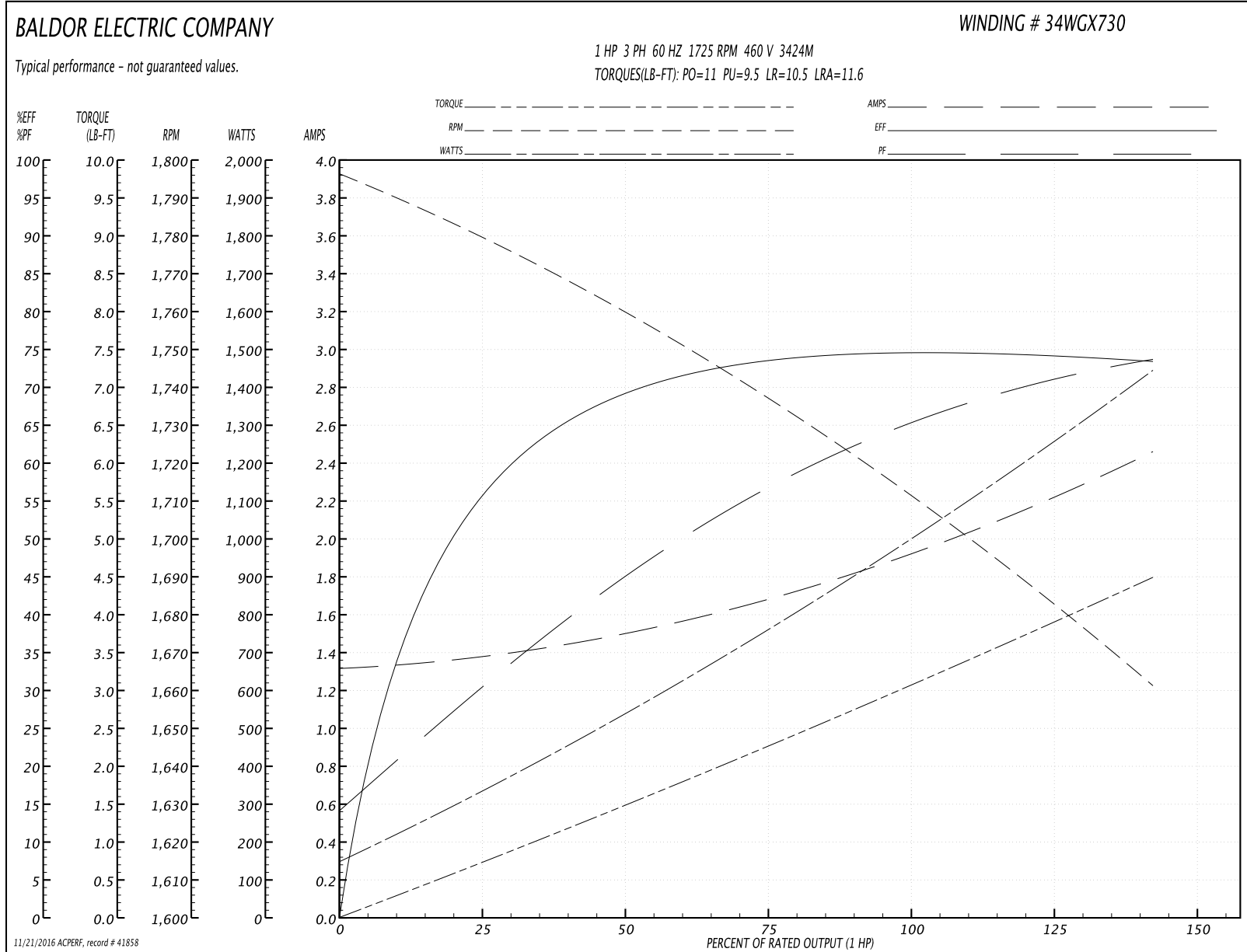
<b>Winding:</b> 34WGX730-R003	<b>Type:</b> 3424M	<b>Enclosure:</b> OPAO
-------------------------------	--------------------	------------------------

Nameplate Data				460 V, 60 Hz: High Voltage Connection	
Rated Output (HP)	1			Full Load Torque	3 LB-FT
Volts	230/460			Start Configuration	direct on line
Full Load Amps	4/2			Breakdown Torque	11 LB-FT
R.P.M.	1725			Pull-up Torque	9.5 LB-FT
Hz	60	Phase	3	Locked-rotor Torque	10.5 LB-FT
NEMA Design Code	B	KVA Code	L	Starting Current	11.6 A
Service Factor (S.F.)	1.15			No-load Current	1.3 A
NEMA Nom. Eff.	78.5	Power Factor	70	Line-line Res. @ 25°C	17.3 Ω
Rating - Duty	40C AMB-CONT			Temp. Rise @ Rated Load	
				Locked-rotor Power Factor	58
				Rotor inertia	0.0572 LB-FT <sup>2</sup>

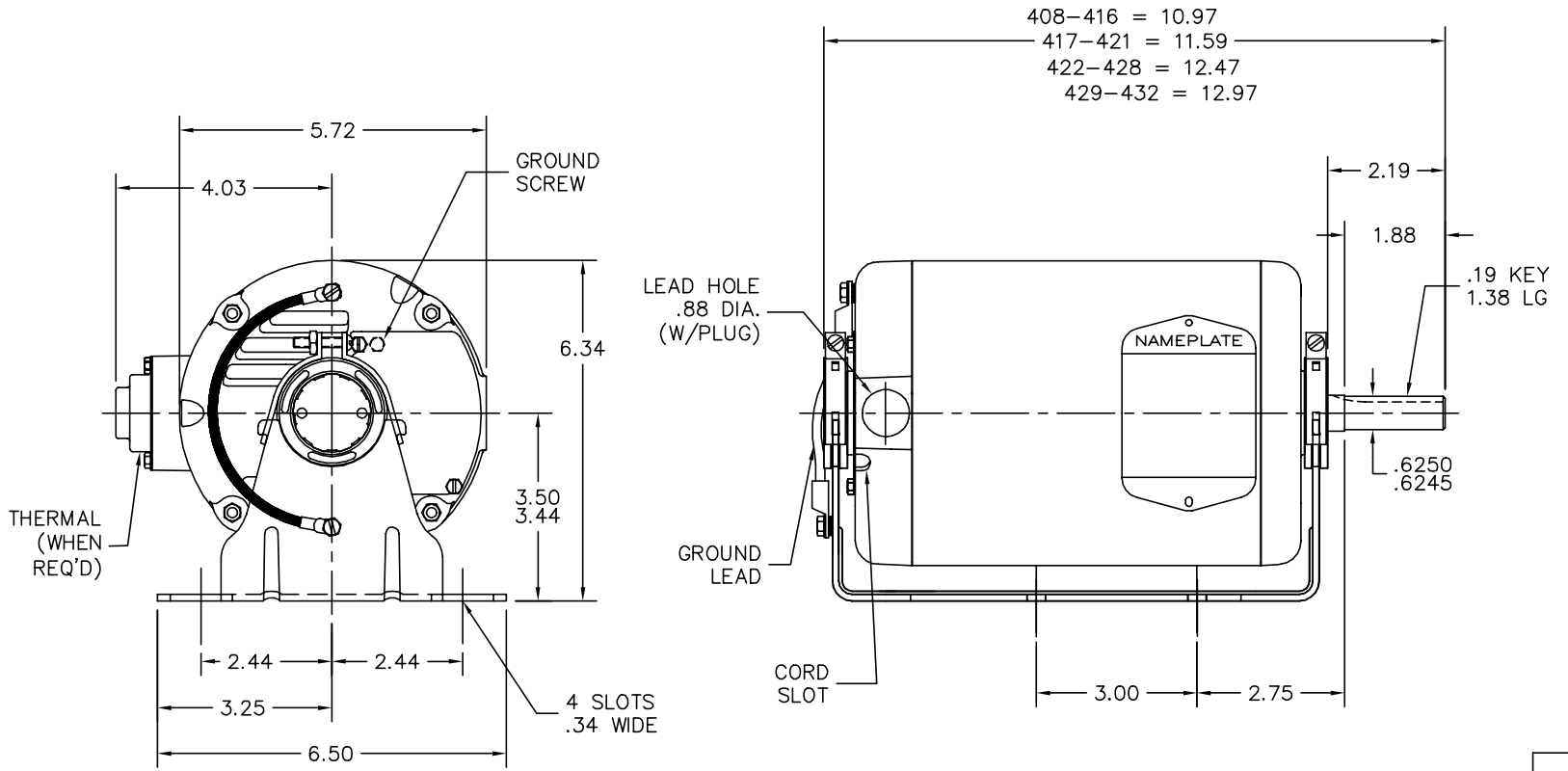
Load Characteristics 460 V, 60 Hz, 1 HP

% of Rated Load	25	50	75	100	125	150	S.F.
Power Factor	31	69	74	75	75	73	75
Efficiency	55.7	68.7	73.5	74.9	74.6	73.2	74.7
Speed	1777	1759	1738	1715	1689	1660	1699
Line amperes	1.4	1.5	1.7	1.9	2.1	2.5	2.02

Performance Graph at 460V, 60Hz, 1.0HP Typical performance - Not guaranteed values



34LYK019



CUSTOMER IS RESPONSIBLE FOR DETERMINING THAT BALDOR'S PRODUCT WILL PERFORM SUITABLY IN THE INTENDED APPLICATION.

REV. DESC: UPDATE PARTS, ADD/FIX DIMS & STANDARIZE DESC.		
REV. LTR: C	VERSION: 01	TDR: 000000873424
FILE: \AAA\00026\681	REVISED: 12: 42: 11 09/30/2014	BY: ENMAIYO
MTL: -		

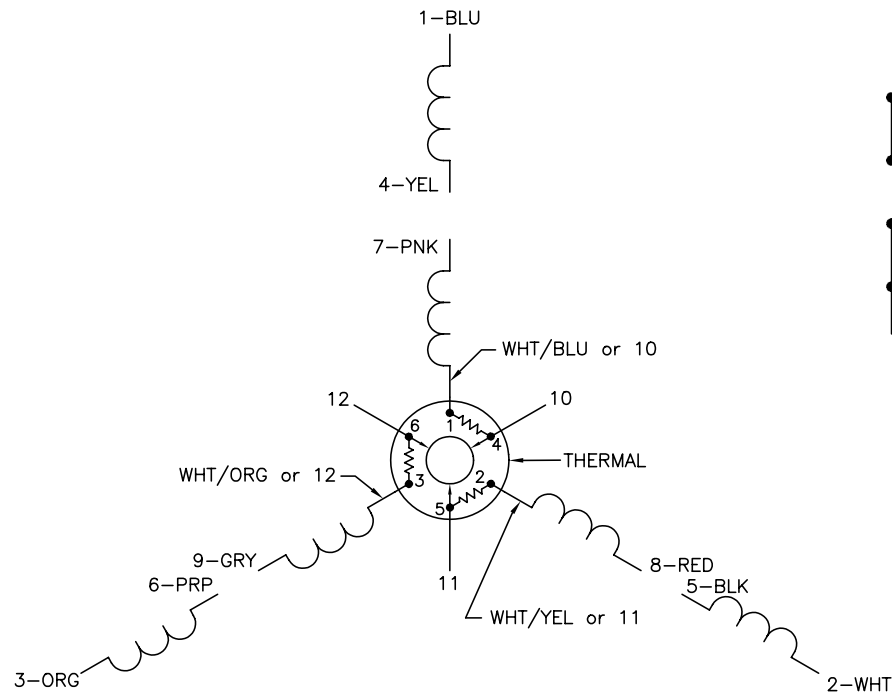
**BALDOR**

STD RESIL MTD MODEL 34M NEMA 56 OPEN W/TERM PANEL

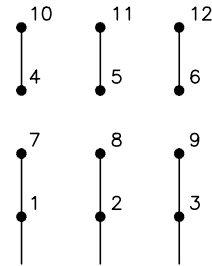
SH 1 of 1

34LYK019

CD0007

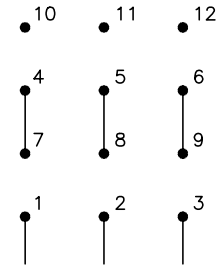


LOW VOLTAGE  
(2Y)



LINE

HIGH VOLTAGE  
(1Y)



LINE

NOTES:

1. INTERCHANGE ANY TWO LINE LEADS TO REVERSE ROTATION.
2. ACTUAL NUMBER OF INTERNAL PARALLEL CIRCUITS MAY VARY.
3. LEAD COLORS ARE OPTIONAL. LEADS MUST ALWAYS BE NUMBERED AS SHOWN.

REV. DESC: ADDED "CK" PLANT CODE			
REV. LTR: E	BY: EAH	REVISED: 05/06/99 17:1	TDR: 0181040
L00000		FILE: AAA00008370	MDL: -
		MTL: -	

**BALDOR ELECTRIC Co.**

3PH, DV, THERMAL, 12 LEADS

CD0007