

# **BALDOR**® • ***RELIANCE***

## **Product Information Packet**

### **VM3535**

**.33HP, 1140RPM, 3PH, 60HZ, 56C, 3414M, TEFC, F1**

| Part Detail |      |                |       |             |          |               |            |
|-------------|------|----------------|-------|-------------|----------|---------------|------------|
| Revision:   | P    | Status:        | PRD/A | Change #:   |          | Proprietary:  | No         |
| Type:       | AC   | Prod. Type:    | 3414M | Elec. Spec: | 34WG5883 | CD Diagram:   | CD0005     |
| Enclosure:  | TEFC | Mfg Plant:     |       | Mech. Spec: | 34A063   | Layout:       | 34LYA063   |
| Frame:      | 56C  | Mounting:      | F1    | Poles:      | 06       | Created Date: |            |
| Base:       | N    | Rotation:      | R     | Insulation: | B        | Eff. Date:    | 08-27-2014 |
| Leads:      | 9#18 |                |       |             |          | Replaced By:  |            |
| Literature: |      | Elec. Diagram: |       |             |          |               |            |

| Nameplate NP1256L |              |  |  |      |     |      |   |  |                |     |
|-------------------|--------------|--|--|------|-----|------|---|--|----------------|-----|
| CAT.NO.           | VM3535       |  |  |      |     |      |   |  |                |     |
| SPEC.             | 34A63-5883   |  |  |      |     |      |   |  |                |     |
| HP                | .33          |  |  |      |     |      |   |  |                |     |
| VOLTS             | 230/460      |  |  |      |     |      |   |  |                |     |
| AMP               | 1.8/.9       |  |  |      |     |      |   |  |                |     |
| RPM               | 1140         |  |  |      |     |      |   |  |                |     |
| FRAME             | 56C          |  |  |      | HZ  | 60   |   |  | PH             | 3   |
| SER.F.            | 1.35         |  |  | CODE | K   | DES  | B |  | CLASS          | B   |
| NEMA-NOM-EFF      | 70           |  |  | PF   | 51  |      |   |  |                |     |
| RATING            | 40C AMB-CONT |  |  |      |     |      |   |  |                |     |
| CC                |              |  |  |      |     |      |   |  | USABLE AT 208V | 2.1 |
| DE                | 6203         |  |  |      | ODE | 6203 |   |  |                |     |
| ENCL              | TEFC         |  |  | SN   |     |      |   |  |                |     |
|                   | SFA 2/1      |  |  |      |     |      |   |  |                |     |

| Parts List    |  |          |
|---------------|--|----------|
| Part Number   | Description                              | Quantity |
| SA009881      | SA 34A63-5883                            | 1.000 EA |
| RA006326      | RA 34A63-5883                            | 1.000 EA |
| NS2512A01     | INSULATOR, CONDUIT BOX X                 | 1.000 EA |
| 34CB3002A     | CB CAST W/.88 DIA HOLE                   | 1.000 EA |
| 34GS1029A01   | GASKET, CONDUIT BOX                      | 1.000 EA |
| 51XB1016A07   | 10-16 X 7/16 HXWSSLD SERTYB              | 2.000 EA |
| 11XW1032G06   | 10-32 X .38, TAPTITE II, HEX WSHR SLTD U | 1.000 EA |
| 34EP3102A01SP | FR ENDPLATE, MACH                        | 1.000 EA |
| HW5100A03SP   | WAVY WASHER (W1543-017)                  | 1.000 EA |
| 34EP3300A24SP | PU ENDPLATE, MACH                        | 1.000 EA |
| 51XN1032A20   | 10-32 X 1 1/4 HX WS SL SR                | 2.000 EA |
| 34FN3002A01SP | EXTERNAL FAN, PLASTIC, .637/.639 HUB W/  | 1.000 EA |
| 51XW1032A06   | 10-32 X .38, TAPTITE II, HEX WSHR SLTD S | 3.000 EA |
| 34CB4517      | CB LID 4 MTG HOLES .22 DIA STAMPED, FOR  | 1.000 EA |
| 34GS1031A01   | GASKET, FLAT CONDUIT BOX LID (LEXIDE)    | 1.000 EA |
| 51XW0832A07   | 8-32 X .44, TAPTITE II, HEX WSHR SLTD SE | 4.000 EA |
| HW2501D13     | KEY, 3/16 SQ X 1.375                     | 1.000 EA |
| 34FH4002A01SP | IEC FH NO GREASER PRIMED                 | 1.000 EA |
| HA7000A04     | KEY RETAINER 0.625 DIA SHAFTS            | 1.000 EA |
| MG1000G27     | MED CHARCOAL METALLIC GREY 400-0096      | 0.014 GA |
| 10XF0440S02   | 04-40 X 1/8 TYPE F HEX HD STAINLESS STIC | 2.000 EA |
| HA3100A12     | THRUBOLT 10-32 X 7.375                   | 4.000 EA |
| LC0005E01     | CONN.DIA./WARNING LABEL (LC0005/LB1119N) | 1.000 EA |
| NP1256L       | ALUM UL CSA CC                           | 1.000 EA |

| <b>Parts List (continued)</b> |                                 |                 |
|-------------------------------|---------------------------------|-----------------|
| <b>Part Number</b>            | <b>Description</b>              | <b>Quantity</b> |
| 34PA1002                      | PKG GRP, PRINT PK1001A01        | 1.000 EA        |
| PK3083T                       | STYROFOAM PACKING CRADLE W/TAPE | 1.000 EA        |

**AC Induction Motor Performance Data**  
Record # 6833 - Typical performance - not guaranteed values

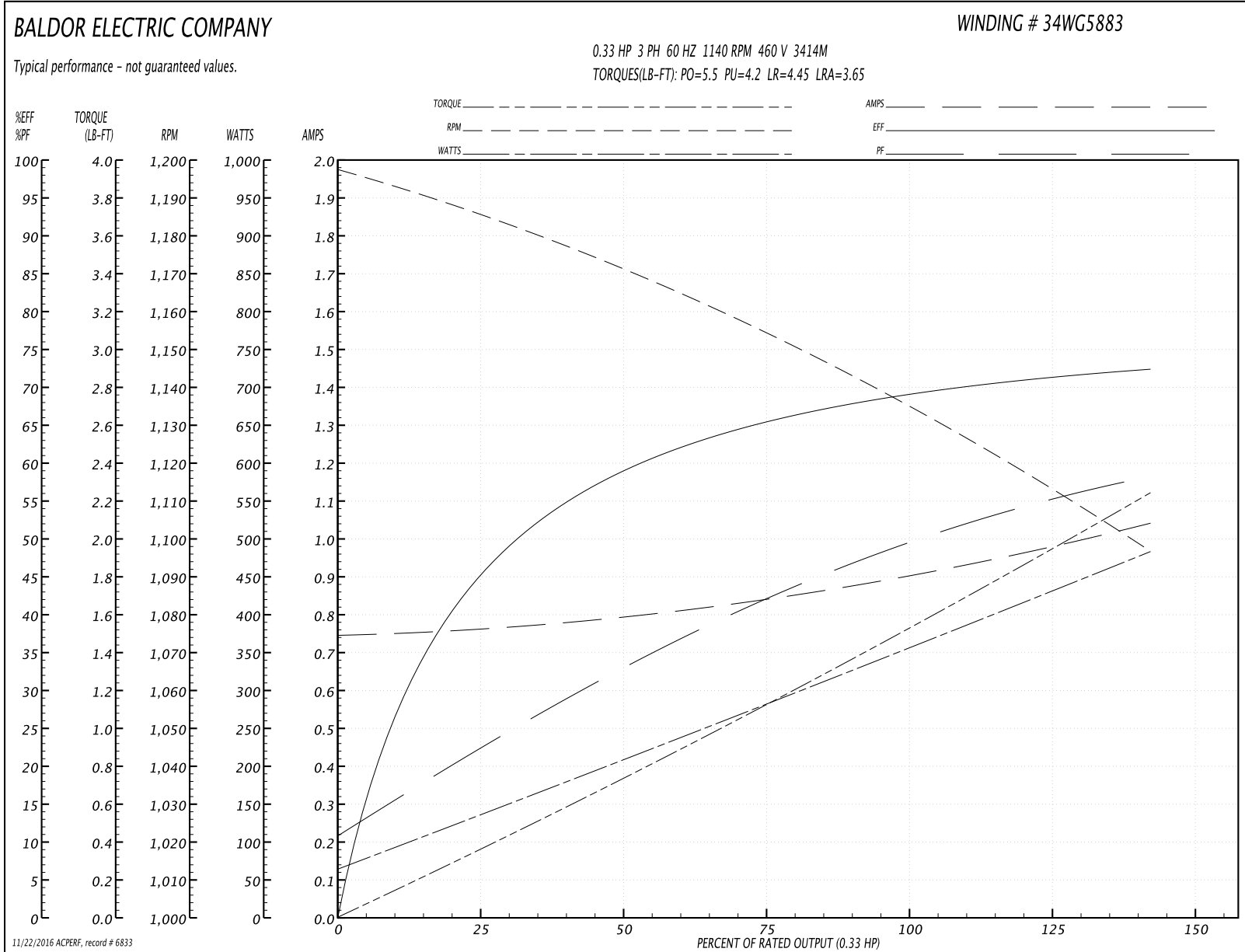
|                               |                    |                        |
|-------------------------------|--------------------|------------------------|
| <b>Winding:</b> 34WG5883-R001 | <b>Type:</b> 3414M | <b>Enclosure:</b> TEFC |
|-------------------------------|--------------------|------------------------|

| Nameplate Data        |              |              |    | 460 V, 60 Hz:<br>High Voltage Connection |                |
|-----------------------|--------------|--------------|----|--|----------------|
| Rated Output (HP)     | .33          |              |    | Full Load Torque                         | 1.5 LB-FT      |
| Volts                 | 230/460      |              |    | Start Configuration                      | direct on line |
| Full Load Amps        | 1.8/.9       |              |    | Breakdown Torque                         | 5.5 LB-FT      |
| R.P.M.                | 1140         |              |    | Pull-up Torque                           | 4.2 LB-FT      |
| Hz                    | 60           | Phase        | 3  | Locked-rotor Torque                      | 4.45 LB-FT     |
| NEMA Design Code      | B            | KVA Code     | K  | Starting Current                         | 3.65 A         |
| Service Factor (S.F.) | 1.35         |              |    | No-load Current                          | 0.75 A         |
| NEMA Nom. Eff.        | 70           | Power Factor | 51 | Line-line Res. @ 25°C                    | 58.3 Ω         |
| Rating - Duty         | 40C AMB-CONT |              |    | Temp. Rise @ Rated Load                  | 46°C           |
| S.F. Amps             | 2/1          |              |    | Temp. Rise @ S.F. Load                   | 58°C           |

Load Characteristics 460 V, 60 Hz, 0.33 HP

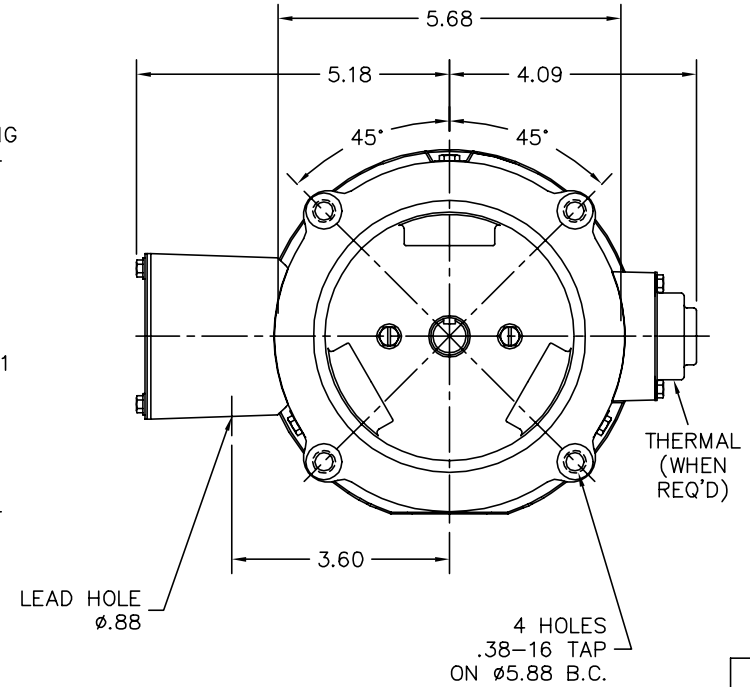
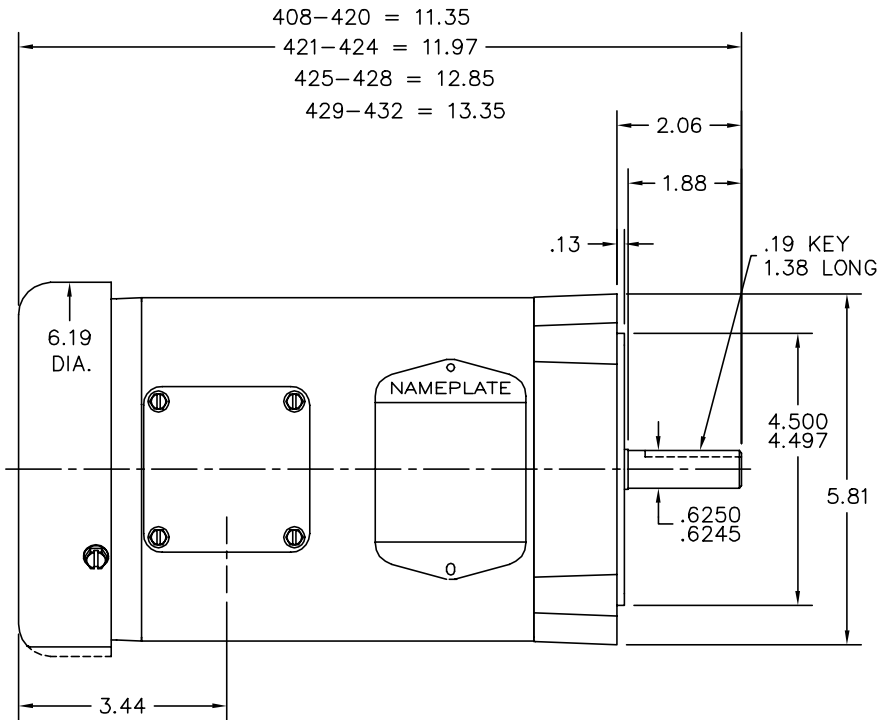
| % of Rated Load | 25   | 50   | 75   | 100  | 125  | 150  | S.F. |
|-----------------|------|------|------|------|------|------|------|
| Power Factor    | 19   | 30   | 42   | 51   | 58   | 64   | 62   |
| Efficiency      | 44   | 58   | 66   | 70   | 71   | 72   | 71   |
| Speed           | 1185 | 1170 | 1155 | 1135 | 1120 | 1095 | 1110 |
| Line amperes    | 0.75 | 0.8  | 0.85 | 0.9  | 0.95 | 1.05 | 1    |

Performance Graph at 460V, 60Hz, 0.33HP Typical performance - Not guaranteed values



11/22/2016 ACPERF, record # 6833

34LYA063



CUSTOMER IS RESPONSIBLE FOR DETERMINING THAT BALDOR'S PRODUCT WILL PERFORM SUITABLY IN THE INTENDED APPLICATION.

|                         |                              |                   |
|-------------------------|------------------------------|-------------------|
| REV. DESC: UPDATE PARTS |                              |                   |
| REV. LTR: L             | VERSION: 02                  | TDR: 000000998268 |
| FILE: \AAA\00000\724    | REVISED: 02:36:11 09/27/2016 | BY: ENBENBO       |
| MTL: -                  |                              |                   |

**BALDOR**

STD VERT 34M NEMA 56C TEFC

SH 1 of 1

34LYA063

CD0005

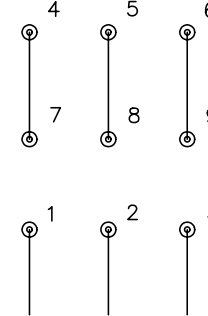


LOW VOLTAGE (2Y)



LINE

HIGH VOLTAGE (1Y)



LINE

NOTES:

1. INTERCHANGE ANY TWO LINE LEADS TO REVERSE ROTATION.
2. OPTIONAL THERMOSTATS ARE PROVIDED WHEN SPECIFIED.
3. ACTUAL NUMBER OF INTERNAL PARALLEL CIRCUITS MAY BE A MULTIPLE OF THOSE SHOWN ABOVE.
4. LEAD COLORS ARE OPTIONAL. LEADS MUST ALWAYS BE NUMBERED AS SHOWN.

|   |         |                         |              |
|---|---------|-------------------------|--------------|
| REV. DESC: REVISE TO SHOW OPTIONAL COLORS |         |                         |              |
| REV. LTR: E                               | BY: JLP | REVISED: 01/19/99 10:15 | TDR: 0171435 |
| 900000                                    |         | FILE: AAA00005140       | MDL: -       |
|   |         | MTL: -                  |              |

**BALDOR ELECTRIC Co.**

3PH, DV, 9 LEADS

CD0005