

Specialty Pumps

BT12

- DISCHARGE3/4" G.H.T. Male, Vertical
- PUMP HOUSINGPlastic
- MOTOR HOUSINGMetallic
- IMPELLER MATERIALRubber
- CORDPower Cord, 8.5±.5
- BEARINGS.....Permanently lubricated
- SEALHigh speed mechanical
- COOLING FAN.....Zinc plated
- ACCESSORIES INCLUDED.....Spare impeller, gasket, 6' hose, strainer

BT50

- DISCHARGE3/4" G.H.T. Male, Vertical
- PUMP HOUSINGCast Iron
- MOTOR HOUSINGThermoplastic protected
- IMPELLER MATERIALThermoplastic
- CORDPower Cord, 9.5±.5
- BEARINGS.....Permanently lubricated
- SEALHigh speed mechanical
- COOLING FAN.....Zinc plated
- ACCESSORIES INCLUDED.....Fittings, strainer, spare brushes

Barnes Transfer pumps are designed to handle a wide variety of pumping applications such as draining water heaters, charging polyglycol lines for radiant heating, pressure boosting, draining pool covers and dewatering flooded basements. Barnes Transfer pumps are constructed of durable materials and the BT12 *ONLY* includes a garden hose for convenient use.



Series: BT12, BT50

BT12 - 1/12 HP, 3450RPM, 60Hz

BT50 - 1/2 HP, 3450RPM, 60Hz

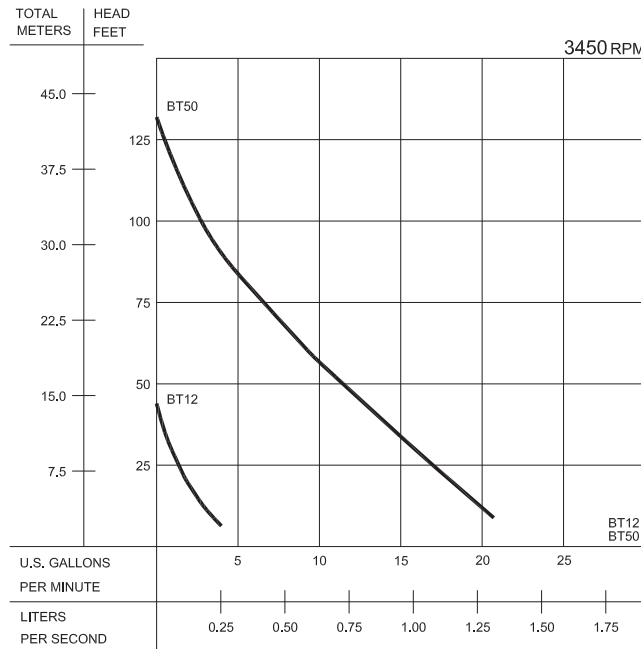
DESCRIPTION:

GENERAL PURPOSE PUMP FOR RESIDENTIAL AND DEWATERING APPLICATIONS.



WARNING:

CANCER AND REPRODUCTIVE HARM -
WWW.P65WARNINGS.CA.GOV



Series BT12, BT50

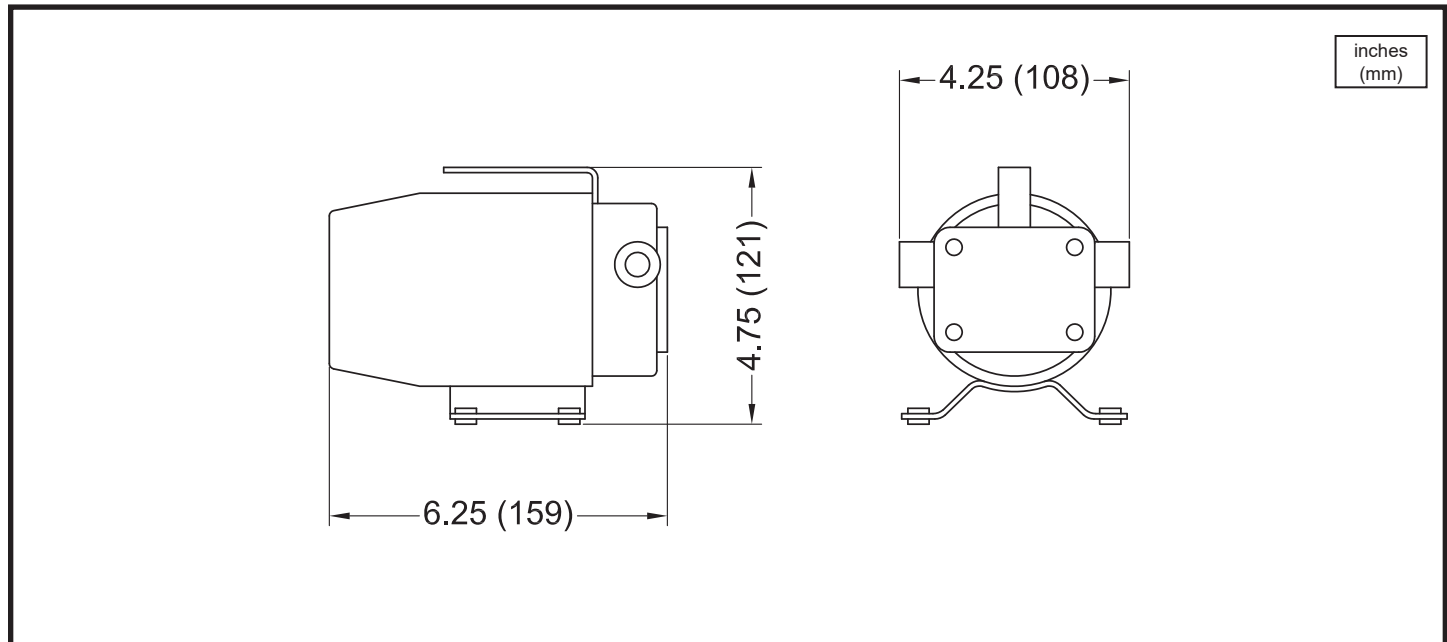
Transfer Pumps

BARNES®

Professional Plumbing

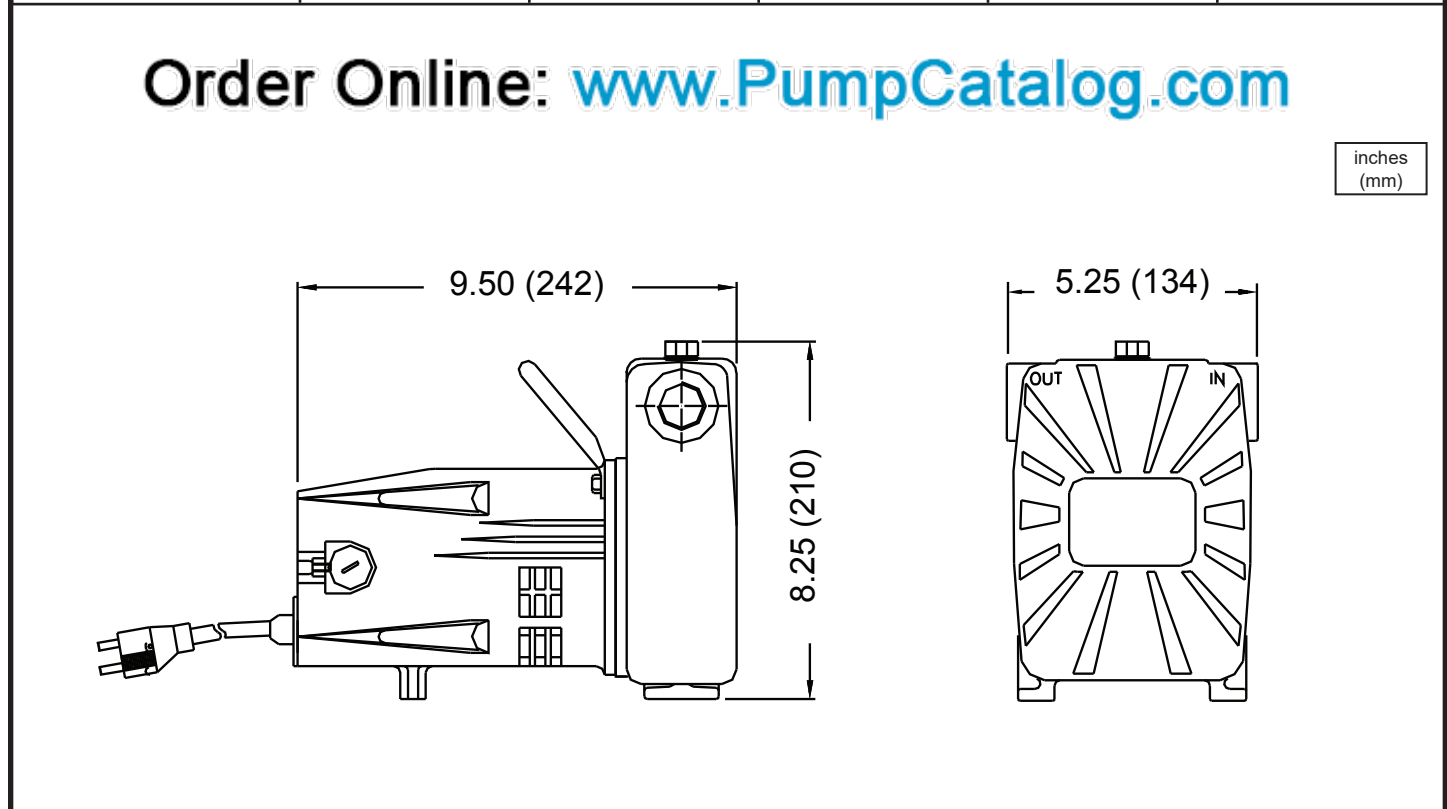
www.cranepumps.com

Specialty Pumps



MODEL NO	PART NO	HP	VOLT	Hz	RPM (Nom)
BT12	134677	1/12	120	60	3450

Order Online: www.PumpCatalog.com



MODEL NO	PART NO	HP	VOLT	Hz	RPM (Nom)
BT50	134678	1/2	120	60	3450

SECTION F
PAGE 24
DATE 10/13

CRANE®

A Crane Co. Company

PUMPS & SYSTEMS

USA: (937) 778-8947 • Canada: (905) 457-6223 • International: (937) 615-3598