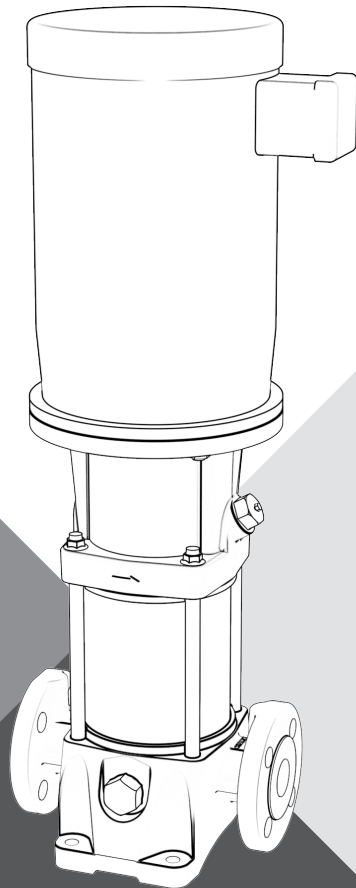




VERTICAL MULTISTAGE PUMPS BVM SERIES



INSTALLATION AND OPERATION MANUAL


pentair.com


TABLE OF CONTENTS


| SECTION..... | PAGE |
|-------------------------------|-------------|
| Safety Information | 3 |
| General Information..... | 4 |
| Installation..... | 5 |
| Operation & Maintenance | 8 |
| Dimension Tables | 14 |
| Parts List..... | 44 |
| Troubleshooting | 50 |
| Warranty..... | 51 |


SAFETY INFORMATION

SAFETY SYMBOLS

 This is the safety alert symbol. When you see this symbol on your pump or in this manual, look for one of the following signal words and be alert to the potential for personal injury:

 **DANGER** warns about hazards that will cause serious personal injury, death or major property damage if ignored.

 **WARNING** warns about hazards that can cause serious personal injury, death or major property damage if ignored.


 **CAUTION** warns about hazards that will or can cause minor personal injury or property damage if ignored.

The word **NOTICE** indicates special instructions that are important but not related to hazards.

GENERAL SAFETY

- ♦ Carefully read and follow all safety instructions in this manual and on the unit itself.
- ♦ Follow all applicable local and state codes and regulations.
- ♦ Keep safety labels/nameplates in good condition, replacing any missing or damaged labels.
- ♦ Install pump according to all code requirements.
- ♦ Compare pump nameplate data with desired operating range.
- ♦ Pump only liquids compatible with pump component materials (that is, liquids that will not attack the pump).
- ♦ Make sure plumbing is adequate to handle system pressure.
- ♦ Periodically perform maintenance inspection on pump and system components.
- ♦ Wear safety glasses at all times when working on pumps.

CALIFORNIA PROPOSITION 65 WARNING

 **WARNING** This product and related accessories contain chemicals known to the State of California to cause cancer, birth defects or other reproductive harm.

INSPECT THE SHIPMENT

The vertical multistage centrifugal inline pump has been carefully inspected and packaged to assure safe delivery. Inspect the pump and fittings and report to the carrier any items which are damaged or missing.

ELECTRICAL SAFETY

 **DANGER HAZARDOUS VOLTAGE. CAN SHOCK, BURN, OR KILL.**

When installing, operating, or servicing this pump, follow the safety instructions listed below.

- ♦ All electrical work should be performed by a qualified electrician in accordance with the National Electrical Code and all local codes and regulations.
- ♦ Make sure that the motor voltage, phase, and frequency match the incoming electrical supply. The proper operating voltage and other electrical information can be found on the motor nameplate. These motors are designed to run up to $\pm 10\%$ of the nameplate-rated voltage.
- ♦ The wiring connection diagram can be found on either a plate attached to the motor or on a diagram inside the terminal box cover.

GENERAL INFORMATION

OVERVIEW

Berkeley multistage in-line centrifugal pumps are designed for liquid transfer, circulation, and pressure boosting of hot or cold clean water or other thin, non-explosive liquids, not containing solid particles or fibers, which will not chemically attack the pump materials.

Typical Installations include:

- ◆ Municipal water supply and pressure boosting
- ◆ Boiler feed and condensate systems
- ◆ Cooling water systems
- ◆ Irrigation
- ◆ Fire fighting

SPECIFICATIONS

Temperature:

- ◆ Maximum Ambient Temperature: 104° F (40° C)
- ◆ Liquid Temperature Range: 5° F to 250° F (-15° C to +120° C)

Maximum Permissible Operating Pressure

- ◆ Flow Series 1 through 20: 360 psi
- ◆ Flow Series 33 through 90: 435 psi

Maximum operating pressure = Inlet pressure + maximum pump differential head

Electrical Data: See Motor Nameplate

Dimensions & Port-to-Port Lengths: See Dimension Tables

Record the following information from the motor and pump nameplates for future reference;

| NAMEPLATE | INFORMATION |
|-----------|--------------------|
| | PUMP MODEL # |
| | BILL OF MATERIAL # |
| | MOTOR MODEL # |
| | MOTOR SERIAL # |
| | H.P. |
| | VOLTS/Hz/PH |
| | RATED AMP DRAW |

INSTALLATION

LOCATION

- ◆ Locate pump in a dry, well ventilated area, not subject to freezing or extreme variations in temperature.
- ◆ Mount pump a minimum of 6" from any obstruction or hot surface.
- ◆ Install the pump with the motor shaft vertical.
- ◆ Make sure that an adequate supply of cool air reaches the motor cooling fan. Maximum ambient air temperature is 104° F (40° C).
- ◆ For open systems requiring suction lift, locate the pump as close to the water source as possible.

FOUNDATION

Foundation should be concrete or a similarly rigid foundation to provide a secure, stable mounting base for the pump.

Secure pump to foundation using all bolt holes. Refer to the Pump Dimensions section for bolt plate dimensions. Be sure that all four pads on the base are properly supported.

Shim pump base to make sure that pump is level.

PIPING

If there is any danger of the pump running against a closed discharge valve, install a pressure relief or by-pass valve in the discharge pipe to allow for minimum liquid flow through the pump. Minimum liquid flow through the pump is needed for cooling and lubrication of the pump (See Table 1). Run the bypass/relief valve and discharge pipe to a floor drain or a tank for collection.

Suction pipe should be adequately sized (See Table 2) and run as straight and as short as possible to keep friction losses to a minimum. Pipes, valves, and fittings must have a pressure rating equal to or greater than the maximum system pressure.

Pressure check the discharge piping as required by codes or local regulations.

"Inlet" and "Outlet" are marked on the pump base to show the direction of the liquid flow through the pump.

Install anti-vibration mountings on either side of the pump if a minimum noise level is desired.

Install isolation valves in both inlet and outlet pipes near the pump (Fig. 1). This allows for removal of pump for service without draining the system and isolation of the pump in case of a flooded suction condition.

| FLOW SERIES | MINIMUM PUMP RATE |
|-------------|-------------------|
| BVM(I/X)1 | 1.0 GPM |
| BVM(I/X)3 | 1.5 GPM |
| BVM(I/X)5 | 3.0 GPM |
| BVM(I/X)10 | 5.5 GPM |
| BVM(I/X)15 | 9.5 GPM |
| BVM(I/X)20 | 11.0 GPM |
| BVM(I/X)33 | 35.0 GPM |
| BVM(I/X)45 | 40.0 GPM |
| BVM(I/X)64 | 45.0 GPM |
| BVM(I/X)90 | 45.0 GPM |

Table 1 – Minimum Pumping Rates

| FLOW SERIES | MINIMUM NOMINAL SUCTION PIPE SIZE |
|--|-----------------------------------|
| BVM(I/X)1 BVM(I/X)3 BVM(I/X)5 | 1.25 Inches |
| BVM(I/X)10 BVM(I/X)15 BVM(I/X)20 | 2.0 Inches |
| BVM(I/X)33 | 2.5 Inches |
| BVM(I/X)45 | 3.0 Inches |
| BVM(I/X)64 BVM(I/X)90 | 4.0 Inches |

Table 2 – Minimum Suction Pipe Sizes

INSTALLATION

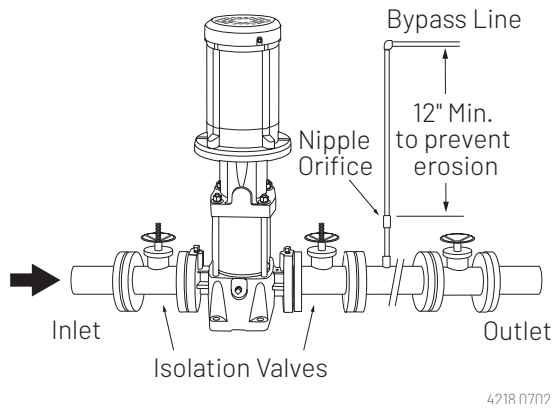


Figure 1 – Bypass Requirement with Closed Discharge Valve

If the system pressure is greater than the pump’s maximum inlet pressure, the limits of the pump can be exceeded if the discharge pressure backs up to the inlet side of the pump. Installation of a check valve in the discharge pipe is recommended to prevent this condition.

Make sure, especially on the inlet side of the pump, that there are no airlocks in the system. See Fig. 2 for correct pipe work to avoid airlocks. The suction pipe should be level or slightly rising.

Support all piping independently of the pump so the weight of the piping system does not strain the pump case. Make sure that the expansion and contraction of the piping system from temperature variations cannot put a strain on the pump.

If the system or pump must be drained periodically (especially if the discharge pipe is horizontal or slopes downward away from the pump), install a loop and vacuum valve as shown in Fig. 3 to protect the pump against running dry. The highest point of the loop should be at least as high as the lowest point of the motor. This loop/valve combination will allow the pump and the system to be drained independently of one another.

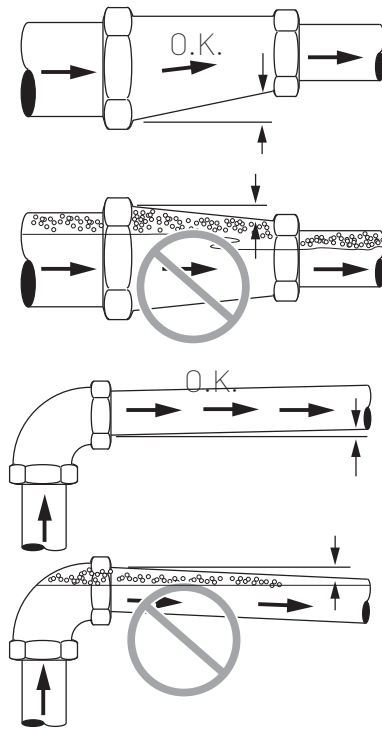


Figure 2 – Prevent Air Lock

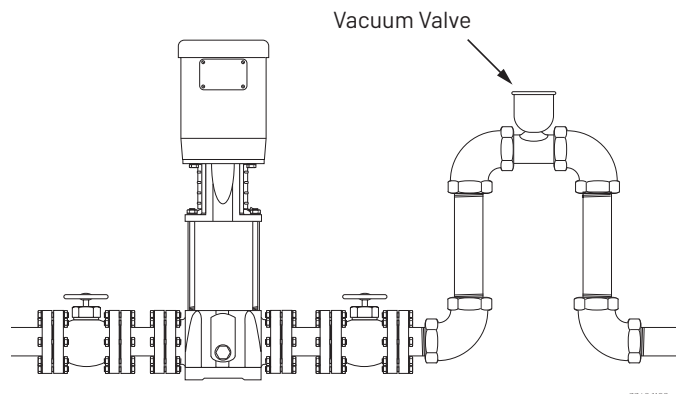


Figure 3 – Loop And Vacuum Valve Install

INSTALLATION

ELECTRICAL

⚠ DANGER HAZARDOUS VOLTAGE. CAN SHOCK, BURN, OR KILL.

All electrical work should be performed by a qualified electrician in accordance with the National Electrical Code and all local codes and regulations.

Make sure that the motor voltage, phase, and frequency match the incoming electrical supply. The proper operating voltage and other electrical information can be found on the motor nameplate.

These motors are designed to run up to $\pm 10\%$ of the nameplate-rated voltage. The wiring connection diagram can be found on either a plate attached to the motor or on a diagram inside the terminal box cover.

- ◆ **If voltage variations are greater than $\pm 10\%$ do not operate the pump.**
- ◆ Incorrect voltage can cause fire or serious damage to the motor and voids warranty.
- ◆ Ground the pump motor correctly before connecting it to the power supply.
- ◆ Follow the wiring instructions when connecting the motor to the power lines.

Position of Terminal Box

To turn the motor so that the terminal box faces the right direction, proceed as follows:

1. Disconnect the power to the pump motor.
2. Remove the coupling guards (use a screwdriver).
3. Remove the couplings.
4. Remove the bolts that fasten the motor to the pump.
5. Turn the motor to the required position (in quarter-turn increments).
6. Follow steps 10–18 under Motor Replacement.

Field Wiring

All wiring connections and wiring sizes must meet National Electrical Code and local requirements.

Motor Protection

See the motor nameplate for electrical connection/wiring diagram.

Berkeley pumps must be used with the proper size and type of motor starter to ensure protection against damage from low voltage, phase failure, current imbalances, and overloads. The overload should be sized to trip at the full-load current rating of the motor.

OPERATIONS & MAINTENANCE

OPERATIONS

PRIMING

⚠ WARNING Risk of explosion and scalding. Do not run the pump with the discharge valve closed; the water in the pump may boil, causing risk of explosion and steam burns to anyone nearby.

⚠ WARNING Risk of electric shock. Can shock, burn or kill.

Disconnect all power to the pump before servicing or working on the pump.

Make sure that the power is locked out and that the pump cannot be accidentally started.

Operation of closed systems or open systems with the liquid level above the pump priming plug:

1. Close the discharge isolating valve and loosen the needle valve located in the assembly in the pump head (Fig. 4). Do not remove the needle valve.
2. Slowly open the isolation valve in the suction pipe until a steady stream of liquid runs out the vent in the priming port.
3. Tighten needle valve to 25 inch-pounds. Completely open isolation valves.
4. Watch the direction of the priming plug and make sure that the liquid escaping from it does not injure persons nearby or damage the motor or other components. In hot water installations, pay particular attention to the risk of injury from scalding hot water.
5. Refer to the *Starting* section before proceeding further.

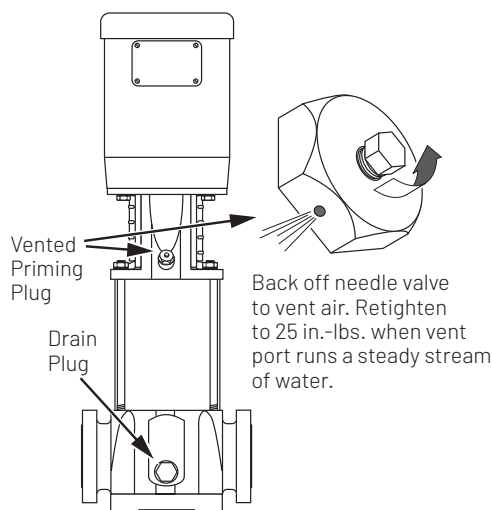


Figure 4 – Priming and Drain Plugs

Operation of open systems with the liquid level below the top of the pump:

NOTICE: The suction pipe requires a check valve or isolation valve.

1. Close the discharge isolation valve.
2. Remove the vented priming plug.
3. Pour liquid through the priming port until the suction pipe and the pump are completely filled with liquid.
4. Replace the vented priming plug and tighten it securely.
5. Repeat Steps 1-4 until the pump is primed.
6. Refer to the *Starting* section before proceeding any further.

ROTATION DIRECTION

NOTICE: Do not disconnect the motor from the shaft to check the direction of rotation. If you remove the coupling, then you must adjust the shaft position when you reinstall it. This must be done before starting the pump.

Arrows on the pump head show the correct direction of rotation. When seen from the motor fan, the pump should rotate counterclockwise (↺).

For pump motors without a fan remove one of the coupling guards and look at the coupling to determine the direction of rotation. Turn off the pump and replace coupling guard.

Do not check the direction of rotation until the pump has been filled with liquid. See "Priming" directions.

1. Switch power off.
2. Remove the coupling guard and rotate the pump shaft to be certain it can turn freely. Replace the coupling guard.
3. Verify that the electrical connections are in accordance with the wiring diagram on the motor.
4. If the fan is visible, turn on and off to verify rotation.
5. To reverse the direction of rotation, first switch OFF the power supply.
6. On three-phase motors, switch 2 of the 3 power leads on the load side of the starter. On single-phase motors, see the connection diagram on the motor nameplate. Change the wiring as indicated.

⚠ WARNING Risk of electric shock. Can shock, burn or kill. Ground the pump motor correctly before connecting to power supply per article 250-80 of National Electrical Code (NEC) in the U.S., or the Canadian Electrical Code (CEC), as applicable.

7. Switch on the power supply and recheck the direction of motor rotation.

OPERATIONS & MAINTENANCE

STARTING

1. If a suction line isolation valve has been installed, check to be sure that it is completely opened.
2. For initial starting, the isolation valve in the discharge pipe should be almost closed.
3. Start the pump.
4. When the piping system has been filled with liquid, slowly open the discharge isolation valve until it is completely open. Opening the valve too fast may result in water hammer in the discharge pipe.

If the pump or system start to rattle, the pump is cavitating; to avoid damage to the pump, reduce the flow through the discharge isolation valve until the rattling stops. If this does not give adequate flow for your installation, call your installer or system designer.

5. Record the voltage and amperage of the motor. Adjust the motor overloads if required.
6. If pressure gauges have been installed, check and record operating pressures.
7. Check all controls for proper operation.

MOTOR BEARING

For the greasing schedule and procedure of the motor bearings, follow the motor manufacturers recommendations.

MAINTENANCE

MOTOR REPLACEMENT

The reference numbers [shown as (11) or (88)] refer to the exploded views. See the appropriate exploded view for your model series.

⚠ WARNING Risk of electric shock. Can shock, burn or kill.

Disconnect all power to the pump before servicing or working on pump. Make sure that power is locked out and that pump cannot be accidentally started.

1. Disconnect the power to the pump motor.
2. Close the nearest suction and discharge valves.
3. Remove the coupling guards (54).
4. Remove the socket head screws (73) and the coupling halves (44) from the shaft (37). See Fig. 6.

NOTICE: Socket head screws are metric. See Table 3 for specific metric driver sizes.

5. If your pump has a shaft pin (72), remove it.
6. Remove the motor bolts (74/92) and flatwashers that hold the motor and the motor stool (36/53) together.

7. Pull the old motor up and off of the motor bracket. Make a note of the orientation of the conduit box on the motor.
8. Thoroughly clean the surfaces of the mounting flanges on the new motor and the pump end.
9. Install the new motor on the pump with the conduit box in the desired position.
10. Lubricate the motor bolts (74/92) with oil.

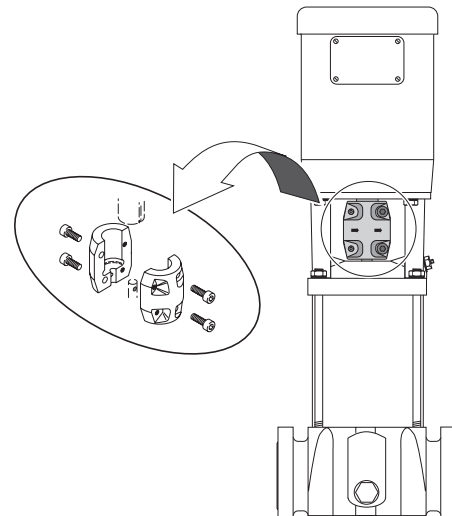


Figure 5 – Socket Head Screws and Couple Halves

11. Reinstall the flatwashers and motor bolts (74/92) that hold the motor and the motor stool (36/53) together, then tighten the bolts evenly and diagonally. See Table 3 for torque specifications.
12. **BVM(I/X)1–BVM(I/X)20:** Reinstall the shaft pin (72) if your pump has one. Raise the height of the pump shaft by using the shaft pin (72) as a lift point (you may have to put a block under the pin and lift with a flat screwdriver). Insert the stack height adjustment tool (see Fig. 6) in below the shaft collar and let the shaft collar rest on it.

BVM(I/X)33–BVM(X)90: Pick up the shaft (if necessary, temporarily reinstall the coupling to provide a grip to lift by) and insert the stack height adjustment tool (see Fig. 6) below the shaft collar. Let the shaft collar rest on it.

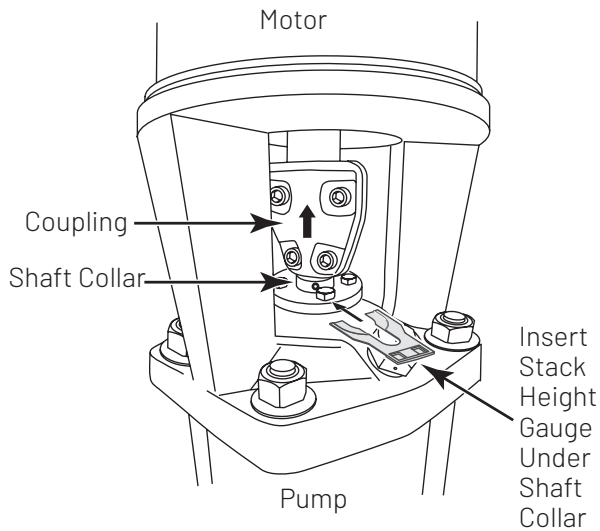


Figure 6 – Stack Height Adjustment Tool

13. Reinstall the coupling (43) on the pump and motor shaft. If the pump has a shaft pin, the pin axially locates the pump shaft. If the pump does not have a shaft pin, then set the coupling so that it grips equal lengths of the pump and motor shaft.
14. Tighten the coupling's socket head cap screws (73).
Torque settings are critical to prevent coupling movement. If the coupling is not tightened to the correct torque, it could slip on the shaft and overheat and damage both the coupling and the shaft. Refer to Table 3, for torque specifications. Be sure to tighten the two halves of the coupling evenly (see Fig. 7).
15. Remove the stack height adjustment tool and clip it to one of the coupling guards.
16. Rotate the shaft to make sure that there is no interference. After assembly there should be a small gap between the shaft collar and the bracket. If anything rubs, repeat Steps 13, 14, and 15 to readjust pump shaft height.
17. Reinstall the coupling guards. The guards should be in place before the unit is run.
18. Open the suction and discharge valves. Turn the power back on.

MECHANICAL SEAL REPLACEMENT

1. Follow Steps 1-7 under Motor Replacement and then proceed with Step 2 below.
2. Loosen the three set screws in the shaft collar above the mechanical seal.

3. Remove the four retaining bolts (69) that hold down the seal flange and seal.
4. Use a flat screwdriver to pry up the seal flange. Remove the seal.
5. Using the three round holes on the top of the shaft sleeve, or notch in flange (see Fig. 8), remove the remaining portions of the seal.
6. Clean the seal seat area with a wetted cloth.
NOTICE: Be sure that you do not scratch, chip, or scar the seal face, and that the seal face is clean before finishing assembly.
7. Wipe a small amount of water onto the O-Ring on the inside of the new seal.

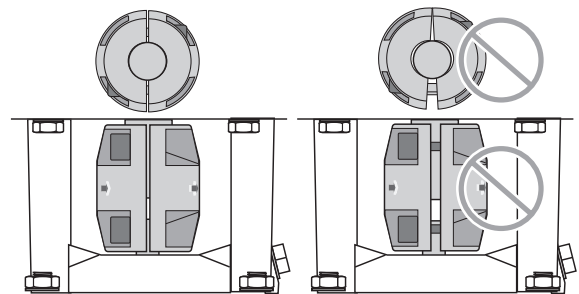


Figure 7 – Evenly Tighten Coupling Halves

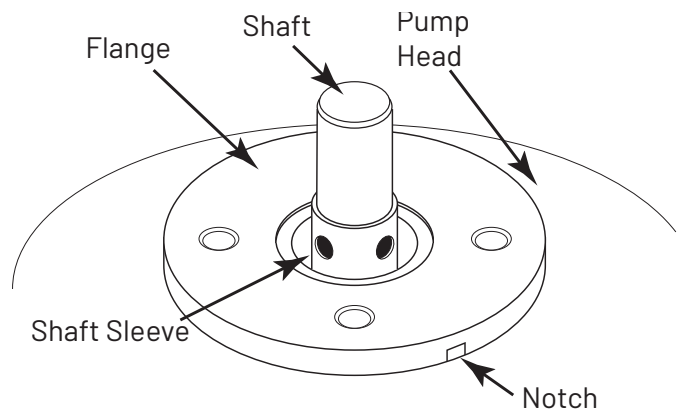


Figure 8 – Seal Removal

8. Slide the new seal assembly onto the shaft as a single unit.
9. Install the four retaining bolts in the seal flange and tighten them to 3.0 foot-lbs. (4.0 Nm).
10. Verify shaft collar is seated against seal flange. Tighten 3 set screws on shaft collar to 1.8 ft-lbs.
11. Follow Steps 8 - 18 under Motor Replacement to reinstall the motor.

REPLACING PUMP STACK

The reference numbers [shown as (11) or (88)] refer to the exploded views. See the appropriate exploded view for your model series.

1. Follow Steps 1-7 under Motor Replacement, then proceed with step 2 below.
2. Remove the motor bracket adapter plate (50), if your pump has one.
3. Follow Steps 2-5 under Mechanical Seal Replacement and then proceed with Step 3 below.
4. Remove the staybolt nuts (77) and flatwashers (78) from the staybolts (81). Use vicegrips, if necessary, to prevent the staybolts from unscrewing out of the pump base. Note: It is not necessary to remove the staybolts when replacing the stack.
5. With the base firmly attached to a solid floor, pull the motor stool (36) or motor stool/pump head assembly (36/53 or 36/56) straight up off the staybolts.
6. Make a note of the orientation of any tabs in the top of the stack assembly, then remove the stack assembly by pulling it straight up.
7. Install the new stack assembly, making sure that the orientation of the tabs matches the orientation of the tabs on the old stack assembly.
8. Replace the stack sleeve O-Ring (82) located in the motor stool (36/53) or pump head (36/56). Make sure that the new O-Ring is evenly seated in the O-Ring groove in the motor stool or pump head.
9. Apply water to the stack sleeve O-Ring in the motor stool/pump head (82) and to the top of the stack sleeve (48)
10. **BVM1-BVM20:** Slide the motor stool (36) over the staybolts (81) and onto the sleeve (48). Be sure the stack sleeve O-Ring seats in the pump head. Add the staybolt nuts and washers (77,78) and tighten them to torque specifications listed in Table 3.

BVM(I/X)1-20: Mount the pump head (56) on the stack sleeve (48). Be sure the stack sleeve O-Ring (82) seats in the groove in the pump head. Follow it with the motor stool (36) which goes over the staybolts (81) and seats on the pump head. Slide the pump head (36) over the staybolts onto the stack sleeve (48). Be sure the stack sleeve O-Ring seats in the pump head. Add the staybolt nuts and washers (77,78) and tighten them to torque specifications listed in Table 3.

BVM(I/X)33, BVM(X)45-BVM(X)90: Slide the pump head (36) over the staybolts onto the stack sleeve (48). Be sure the stack sleeve O-Ring seats in the pump head. Add the staybolt nuts and washers (77,78) and tighten them to torque specifications listed in Table 3. Place the motor stool (53) on the pump head and fasten it with four pump head bolts (74A). Tighten the pump head bolts to torque specifications given in Table 3.

11. Make sure that the stack can rotate freely.
12. Follow Steps 6-11 under Mechanical Seal Replacement.
13. Follow Steps 8-18 under Motor Replacement to reinstall the motor.

OPERATIONS & MAINTENANCE

START/STOP FREQUENCY

Check pump cycling frequency and make sure that the pump starts per hour do not exceed the motor manufacturer's specification.

FROST PROTECTION

1. If you do not use your pump during seasons of frost, drain it and add a glycol based antifreeze (50/50 mixture) to avoid damage.

⚠ CAUTION Risk of flooding. Can cause personal injury and/or property damage. Watch the direction of the priming plug and make sure that liquid escaping from it does not injure persons nearby or damage the motor or other components. In hot water installations, pay particular attention to the risk of injury from scalding hot water.

2. Upon restart dispose of spent antifreeze properly.
3. Do not replace the drain plug or tighten the priming plug until you put the pump back in service again.

OPERATIONS & MAINTENANCE

| DESCRIPTION | FASTENER TYPE | ITEM No. | SIZE | TORQUE (Nm) | TORQUE (ft-lbs) | FLOW SERIES |
|------------------------------|-----------------------|----------|----------------|-------------|-----------------|-------------|
| Shaft Collar Set Screw | Set Screw | None | M5 | 2.5 | 1.8 | All |
| Mechanical Seal Holder Screw | Socket Head Cap Screw | 69 | M6 | 4.0 | 3.0 | All |
| Couplings Bolts | Socket Head Cap Screw | 73 | M6 | 13.0 | 9.6 | Varies |
| | | | M8 | 31.0 | 22.9 | Varies |
| | | | M10 | 62.0 | 45.7 | Varies |
| Pipe Plug | Hex Head | 76 | M16 | 35.0 | 25.8 | All |
| Exhaust Screw | Hex Head | 64 | M6 | 35.0 | 25.8 | All |
| Drain Plug | Hex Head | 63 | M16 | 35.0 | 25.8 | All |
| Motor bolts | Hex Head | 74 | 3/8-16 x 1" | 40.7 | 30.0 | Varies |
| | | | 1/2-13 x 1.25" | 47.5 | 35.0 | Varies |
| | | | 1/2-13 x 1.50" | 47.5 | 35.0 | Varies |
| | | | 1/2-13 x 1.75" | 47.5 | 35.0 | Varies |
| Pump Head/Stool Bolts Bolt | Hex Head | 74 | M10 | 62.0 | 45.7 | Varies |
| | | | M12 | 40.0 | 29.5 | BVM1-BVM5 |
| Staybolt Nut | Hex nut | 77 | M16 | 80.0 | 59.0 | BVM10-BVM20 |
| | | | M16 | 110.0 | 81.1 | BVM33-BVM90 |
| Shaft Locknut | Hex nut | 40 | M8 | 18.0 | 13.3 | BVM1-BVM20 |
| | | 88 | M14 | 31.0 | 22.9 | BVM33-BVM90 |
| Strap Bolt | Hex Nut | 70 | M8 | 15.0 | 11.1 | BVM10-BVM90 |
| Collet Locknut | Hex Nut | 22 | M30 | 100.0 | 73.8 | BVM33-BVM90 |

Table 3 - Torque Specifications for Cast Iron and Stainless Steel Models

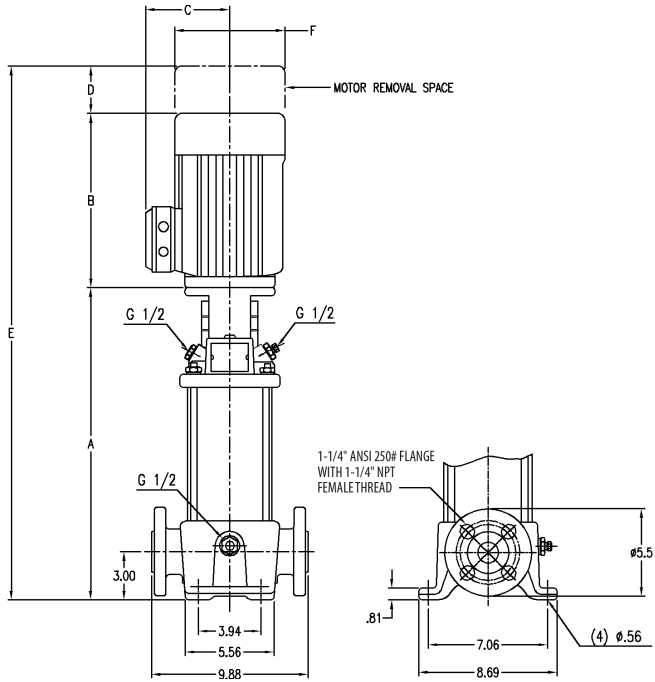
DIMENSION TABLES

| MODEL NUMBER | MOTOR HP | MOTOR SERVICE FACTOR | PHASE | VOLTAGE | MOTOR FRAME | BVM CAST IRON | | | | | | | | BVM/BVMX STAINLESS STEEL | | | | | | | |
|--------------|----------|----------------------|-------|---------------|-------------|----------------------|------|-----|-----|------|-----|---------------|--------------|--------------------------|------|-----|-----|------|-----|---------------|--------------|
| | | | | | | DIMENSIONS IN INCHES | | | | | | WEIGHT IN LBS | | DIMENSIONS IN INCHES | | | | | | WEIGHT IN LBS | |
| | | | | | | A | B | C | D | E | F | PUMP END ONLY | PUMP & MOTOR | A | B | C | D | E | F | PUMP END ONLY | PUMP & MOTOR |
| BVM1-2 | 0.5 | 1.25 | 1 | 115V/208-230V | 56C | 11.0 | 9.3 | 6.0 | 2.1 | 22.4 | 6.0 | 38 | 59 | 11.1 | 9.3 | 6.0 | 2.1 | 22.5 | 6.0 | 32 | 53 |
| BVM1-2 | 0.5 | 1.25 | 3 | 208-230V/460V | 56C | 11.0 | 10.2 | 6.6 | 2.1 | 23.2 | 6.6 | 38 | 73 | 11.1 | 10.2 | 6.6 | 2.1 | 23.3 | 6.6 | 32 | 67 |
| BVM1-3 | 0.5 | 1.25 | 1 | 115V/208-230V | 56C | 11.0 | 9.3 | 6.0 | 2.1 | 22.4 | 6.0 | 39 | 60 | 11.1 | 9.3 | 6.0 | 2.1 | 22.5 | 6.0 | 33 | 54 |
| BVM1-3 | 0.5 | 1.25 | 3 | 208-230V/460V | 56C | 11.0 | 10.2 | 6.6 | 2.1 | 23.2 | 6.6 | 39 | 74 | 11.1 | 10.2 | 6.6 | 2.1 | 23.3 | 6.6 | 33 | 68 |
| BVM1-4 | 0.5 | 1.25 | 1 | 115V/208-230V | 56C | 11.7 | 9.3 | 6.0 | 2.1 | 23.1 | 6.0 | 40 | 61 | 11.8 | 9.3 | 6.0 | 2.1 | 23.2 | 6.0 | 35 | 56 |
| BVM1-4 | 0.5 | 1.25 | 3 | 208-230V/460V | 56C | 11.7 | 10.2 | 6.6 | 2.1 | 23.9 | 6.6 | 40 | 75 | 11.8 | 10.2 | 6.6 | 2.1 | 24.0 | 6.6 | 35 | 70 |
| BVM1-5 | 0.5 | 1.25 | 1 | 115V/208-230V | 56C | 12.4 | 9.3 | 6.0 | 2.1 | 23.8 | 6.0 | 42 | 63 | 12.5 | 9.3 | 6.0 | 2.1 | 23.9 | 6.0 | 36 | 57 |
| BVM1-5 | 0.5 | 1.25 | 3 | 208-230V/460V | 56C | 12.4 | 10.2 | 6.6 | 2.1 | 24.6 | 6.6 | 42 | 77 | 12.5 | 10.2 | 6.6 | 2.1 | 24.7 | 6.6 | 36 | 71 |
| BVM1-6 | 0.75 | 1.25 | 1 | 115V/208-230V | 56C | 13.1 | 9.9 | 6.0 | 2.1 | 25.1 | 6.0 | 43 | 72 | 13.2 | 9.9 | 6.0 | 2.1 | 25.2 | 6.0 | 37 | 66 |
| BVM1-6 | 0.75 | 1.25 | 3 | 208-230V/460V | 56C | 13.1 | 10.2 | 6.6 | 2.1 | 25.3 | 6.6 | 43 | 73 | 13.2 | 10.2 | 6.6 | 2.1 | 25.4 | 6.6 | 37 | 67 |
| BVM1-7 | 0.75 | 1.25 | 1 | 115V/208-230V | 56C | 14.1 | 9.9 | 6.0 | 2.1 | 26.1 | 6.0 | 44 | 73 | 14.2 | 9.9 | 6.0 | 2.1 | 26.2 | 6.0 | 39 | 68 |
| BVM1-7 | 0.75 | 1.25 | 3 | 208-230V/460V | 56C | 14.1 | 10.2 | 6.6 | 2.1 | 26.3 | 6.6 | 44 | 74 | 14.2 | 10.2 | 6.6 | 2.1 | 26.4 | 6.6 | 39 | 69 |
| BVM1-8 | 1 | 1.25 | 1 | 115V/208-230V | 56C | 14.8 | 10.2 | 6.6 | 2.1 | 27.0 | 6.6 | 46 | 81 | 14.9 | 10.2 | 6.6 | 2.1 | 27.1 | 6.6 | 40 | 75 |
| BVM1-8 | 1 | 1.25 | 3 | 208-230V/460V | 56C | 14.8 | 10.4 | 7.2 | 2.1 | 27.3 | 7.2 | 46 | 99 | 14.9 | 10.4 | 7.2 | 2.1 | 27.4 | 7.2 | 40 | 93 |
| BVM1-9 | 1 | 1.25 | 1 | 115V/208-230V | 56C | 15.5 | 10.2 | 6.6 | 2.1 | 27.7 | 6.6 | 47 | 82 | 15.6 | 10.2 | 6.6 | 2.1 | 27.8 | 6.6 | 41 | 76 |
| BVM1-9 | 1 | 1.25 | 3 | 208-230V/460V | 56C | 15.5 | 10.4 | 7.2 | 2.1 | 28.0 | 7.2 | 47 | 100 | 15.6 | 10.4 | 7.2 | 2.1 | 28.1 | 7.2 | 41 | 94 |
| BVM1-10 | 1.5 | 1.15 | 1 | 115V/208-230V | 56C | 16.2 | 11.2 | 7.2 | 2.1 | 29.4 | 7.2 | 48 | 94 | 16.3 | 11.2 | 7.2 | 2.1 | 29.5 | 7.2 | 42 | 88 |
| BVM1-10 | 1.5 | 1.15 | 3 | 208-230V/460V | 56C | 16.2 | 11.2 | 7.2 | 2.1 | 29.4 | 7.2 | 48 | 90 | 16.3 | 11.2 | 7.2 | 2.1 | 29.5 | 7.2 | 42 | 84 |
| BVM1-11 | 1.5 | 1.15 | 1 | 115V/208-230V | 56C | 16.9 | 11.2 | 7.2 | 2.1 | 30.1 | 7.2 | 49 | 95 | 17.0 | 11.2 | 7.2 | 2.1 | 30.2 | 7.2 | 44 | 90 |
| BVM1-11 | 1.5 | 1.15 | 3 | 208-230V/460V | 56C | 16.9 | 11.2 | 7.2 | 2.1 | 30.1 | 7.2 | 49 | 91 | 17.0 | 11.2 | 7.2 | 2.1 | 30.2 | 7.2 | 44 | 86 |
| BVM1-12 | 1.5 | 1.15 | 1 | 115V/208-230V | 56C | 17.6 | 11.2 | 7.2 | 2.1 | 30.8 | 7.2 | 51 | 97 | 17.7 | 11.2 | 7.2 | 2.1 | 30.9 | 7.2 | 45 | 91 |
| BVM1-12 | 1.5 | 1.15 | 3 | 208-230V/460V | 56C | 17.6 | 11.2 | 7.2 | 2.1 | 30.8 | 7.2 | 51 | 93 | 17.7 | 11.2 | 7.2 | 2.1 | 30.9 | 7.2 | 45 | 87 |
| BVM1-13 | 1.5 | 1.15 | 1 | 115V/208-230V | 56C | 18.3 | 11.2 | 7.2 | 2.1 | 31.5 | 7.2 | 52 | 98 | 18.4 | 11.2 | 7.2 | 2.1 | 31.6 | 7.2 | 46 | 92 |
| BVM1-13 | 1.5 | 1.15 | 3 | 208-230V/460V | 56C | 18.3 | 11.2 | 7.2 | 2.1 | 31.5 | 7.2 | 52 | 94 | 18.4 | 11.2 | 7.2 | 2.1 | 31.6 | 7.2 | 46 | 88 |
| BVM1-15 | 2 | 1.15 | 1 | 115V/208-230V | 56C | 20.4 | 12.1 | 7.2 | 2.1 | 34.5 | 7.2 | 55 | 108 | 20.5 | 12.1 | 7.2 | 2.1 | 34.6 | 7.2 | 49 | 102 |
| BVM1-15 | 2 | 1.15 | 3 | 208-230V/460V | 56C | 20.4 | 12.1 | 7.2 | 2.1 | 34.5 | 7.2 | 55 | 104 | 20.5 | 12.1 | 7.2 | 2.1 | 34.6 | 7.2 | 49 | 98 |
| BVM1-17 | 2 | 1.15 | 1 | 115V/208-230V | 56C | 21.8 | 12.1 | 7.2 | 2.1 | 35.9 | 7.2 | 57 | 110 | 21.9 | 12.1 | 7.2 | 2.1 | 36.0 | 7.2 | 52 | 105 |
| BVM1-17 | 2 | 1.15 | 3 | 208-230V/460V | 56C | 21.8 | 12.1 | 7.2 | 2.1 | 35.9 | 7.2 | 57 | 106 | 21.9 | 12.1 | 7.2 | 2.1 | 36.0 | 7.2 | 52 | 101 |
| BVM1-19 | 3 | 1.15 | 1 | 115V/208-230V | 182TC | 23.7 | 15.4 | 8.9 | 2.6 | 41.7 | 8.9 | 62 | 150 | 23.3 | 15.4 | 8.9 | 2.6 | 41.3 | 8.9 | 56 | 144 |
| BVM1-19 | 3 | 1.15 | 3 | 208-230V/460V | 182TC | 23.7 | 13.9 | 8.9 | 2.6 | 40.3 | 8.9 | 62 | 130 | 23.3 | 13.9 | 8.9 | 2.6 | 39.9 | 8.9 | 56 | 124 |
| BVM1-21 | 3 | 1.15 | 1 | 115V/208-230V | 182TC | 25.1 | 15.4 | 8.9 | 2.6 | 43.1 | 8.9 | 64 | 152 | 24.7 | 15.4 | 8.9 | 2.6 | 42.7 | 8.9 | 58 | 146 |
| BVM1-21 | 3 | 1.15 | 3 | 208-230V/460V | 182TC | 25.1 | 13.9 | 8.9 | 2.6 | 41.7 | 8.9 | 64 | 132 | 24.7 | 13.9 | 8.9 | 2.6 | 41.3 | 8.9 | 58 | 126 |
| BVM1-23 | 3 | 1.15 | 1 | 115V/208-230V | 182TC | 27.3 | 15.4 | 8.9 | 2.6 | 45.3 | 8.9 | 67 | 155 | 26.1 | 15.4 | 8.9 | 2.6 | 44.1 | 8.9 | 61 | 149 |
| BVM1-23 | 3 | 1.15 | 3 | 208-230V/460V | 182TC | 27.3 | 13.9 | 8.9 | 2.6 | 43.9 | 8.9 | 67 | 135 | 26.1 | 13.9 | 8.7 | 2.6 | 42.7 | 8.7 | 61 | 129 |
| BVM1-25 | 3 | 1.15 | 1 | 115V/208-230V | 182TC | 28.7 | 15.4 | 8.9 | 2.6 | 46.7 | 8.9 | 69 | 157 | 27.6 | 15.4 | 8.7 | 2.6 | 45.6 | 8.7 | 64 | 152 |
| BVM1-25 | 3 | 1.15 | 3 | 208-230V/460V | 182TC | 28.7 | 13.9 | 8.9 | 2.6 | 45.3 | 8.9 | 69 | 137 | 27.6 | 13.9 | 8.7 | 2.6 | 44.2 | 8.7 | 64 | 132 |
| BVM1-27 | 3 | 1.15 | 1 | 208-230V/460V | 182TC | 29.5 | 13.9 | 8.9 | 2.6 | 46.1 | 8.9 | 72 | 140 | 29.2 | 13.9 | 8.7 | 2.6 | 45.8 | 8.7 | 66 | 134 |
| BVM1-27 | 3 | 1.15 | 3 | 115V/208-230V | 182TC | 29.5 | 15.4 | 8.9 | 2.6 | 47.5 | 8.9 | 72 | 160 | 29.2 | 15.4 | 8.7 | 2.6 | 47.2 | 8.7 | 66 | 154 |

DIMENSION TABLES

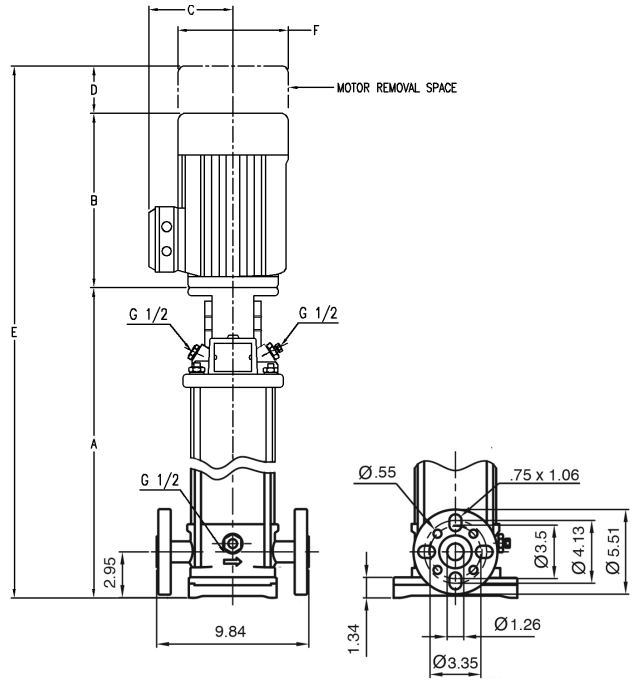
PUMP DIMENSIONS - STANDARD

BVM

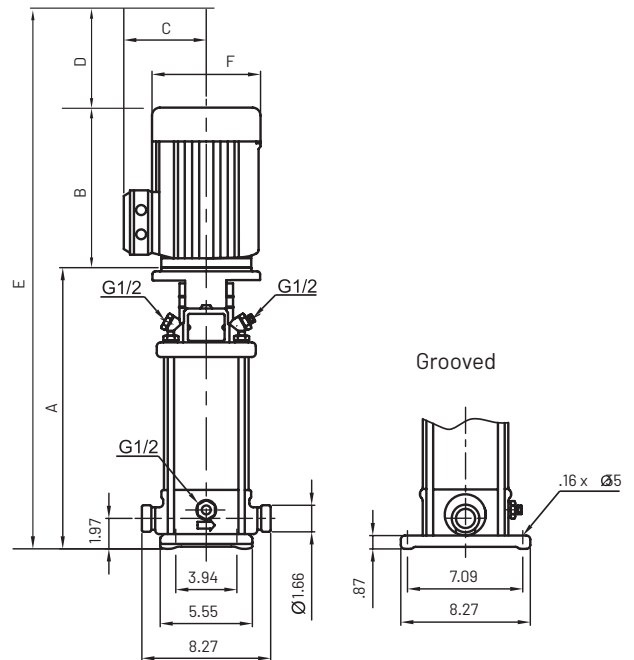


Dual 1-1/4" NPT / 1-1/4" ANSI 250# Flanges

BVMI/BVMX



ANSI 250# Flanges



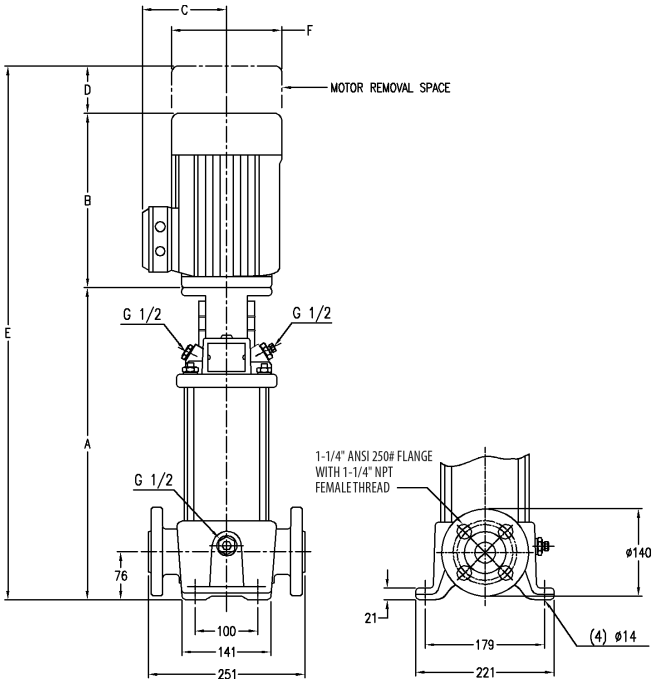
DIMENSION TABLES

PUMP DIMENSIONS - METRIC

| MODEL NUMBER | MOTOR HP | MOTOR SERVICE FACTOR | PHASE | VOLTAGE | MOTOR FRAME | BVM CAST IRON | | | | | | | | BVM1/BVMX STAINLESS STEEL | | | | | | | |
|--------------|----------|----------------------|-------|---------------|-------------|------------------|-----|-----|----|------|-----|---------------|--------------|---------------------------|-----|-----|----|------|-----|---------------|--------------|
| | | | | | | DIMENSIONS IN MM | | | | | | WEIGHT IN KGS | | DIMENSIONS IN MM | | | | | | WEIGHT IN KGS | |
| | | | | | | A | B | C | D | E | F | PUMP END ONLY | PUMP & MOTOR | A | B | C | D | E | F | PUMP END ONLY | PUMP & MOTOR |
| BVM1-2 | 0.5 | 1.25 | 1 | 115V/208-230V | 56C | 279 | 236 | 153 | 52 | 568 | 153 | 17 | 27 | 282 | 236 | 153 | 52 | 570 | 153 | 15 | 24 |
| BVM1-2 | 0.5 | 1.25 | 3 | 208-230V/460V | 56C | 279 | 258 | 168 | 52 | 590 | 168 | 17 | 33 | 282 | 258 | 168 | 52 | 593 | 168 | 15 | 30 |
| BVM1-3 | 0.5 | 1.25 | 1 | 115V/208-230V | 56C | 279 | 236 | 153 | 52 | 568 | 153 | 18 | 27 | 282 | 236 | 153 | 52 | 570 | 153 | 15 | 25 |
| BVM1-3 | 0.5 | 1.25 | 3 | 208-230V/460V | 56C | 279 | 258 | 168 | 52 | 590 | 168 | 18 | 34 | 282 | 258 | 168 | 52 | 593 | 168 | 15 | 31 |
| BVM1-4 | 0.5 | 1.25 | 1 | 115V/208-230V | 56C | 297 | 236 | 153 | 52 | 586 | 153 | 18 | 28 | 300 | 236 | 153 | 52 | 588 | 153 | 16 | 25 |
| BVM1-4 | 0.5 | 1.25 | 3 | 208-230V/460V | 56C | 297 | 258 | 168 | 52 | 608 | 168 | 18 | 34 | 300 | 258 | 168 | 52 | 610 | 168 | 16 | 32 |
| BVM1-5 | 0.5 | 1.25 | 1 | 115V/208-230V | 56C | 315 | 236 | 153 | 52 | 603 | 153 | 19 | 28 | 318 | 236 | 153 | 52 | 606 | 153 | 16 | 26 |
| BVM1-5 | 0.5 | 1.25 | 3 | 208-230V/460V | 56C | 315 | 258 | 168 | 52 | 626 | 168 | 19 | 35 | 318 | 258 | 168 | 52 | 628 | 168 | 16 | 32 |
| BVM1-6 | 0.75 | 1.25 | 1 | 115V/208-230V | 56C | 333 | 252 | 153 | 52 | 637 | 153 | 19 | 33 | 335 | 252 | 153 | 52 | 639 | 153 | 17 | 30 |
| BVM1-6 | 0.75 | 1.25 | 3 | 208-230V/460V | 56C | 333 | 258 | 168 | 52 | 643 | 168 | 19 | 33 | 335 | 258 | 168 | 52 | 646 | 168 | 17 | 30 |
| BVM1-7 | 0.75 | 1.25 | 1 | 115V/208-230V | 56C | 358 | 252 | 153 | 52 | 662 | 153 | 20 | 33 | 361 | 252 | 153 | 52 | 665 | 153 | 17 | 31 |
| BVM1-7 | 0.75 | 1.25 | 3 | 208-230V/460V | 56C | 358 | 258 | 168 | 52 | 669 | 168 | 20 | 34 | 361 | 258 | 168 | 52 | 671 | 168 | 17 | 31 |
| BVM1-8 | 1 | 1.25 | 1 | 115V/208-230V | 56C | 376 | 258 | 168 | 52 | 686 | 168 | 21 | 37 | 378 | 258 | 168 | 52 | 689 | 168 | 18 | 34 |
| BVM1-8 | 1 | 1.25 | 3 | 208-230V/460V | 56C | 376 | 264 | 183 | 52 | 693 | 183 | 21 | 45 | 378 | 264 | 183 | 52 | 695 | 183 | 18 | 42 |
| BVM1-9 | 1 | 1.25 | 1 | 115V/208-230V | 56C | 394 | 258 | 168 | 52 | 704 | 168 | 21 | 37 | 396 | 258 | 168 | 52 | 707 | 168 | 19 | 35 |
| BVM1-9 | 1 | 1.25 | 3 | 208-230V/460V | 56C | 394 | 264 | 183 | 52 | 711 | 183 | 21 | 45 | 396 | 264 | 183 | 52 | 713 | 183 | 19 | 43 |
| BVM1-10 | 1.5 | 1.15 | 1 | 115V/208-230V | 56C | 411 | 283 | 182 | 52 | 747 | 182 | 22 | 43 | 414 | 283 | 182 | 52 | 750 | 182 | 19 | 40 |
| BVM1-10 | 1.5 | 1.15 | 3 | 208-230V/460V | 56C | 411 | 284 | 183 | 52 | 748 | 183 | 22 | 41 | 414 | 284 | 183 | 52 | 750 | 183 | 19 | 38 |
| BVM1-11 | 1.5 | 1.15 | 1 | 115V/208-230V | 56C | 429 | 283 | 182 | 52 | 765 | 182 | 22 | 43 | 432 | 283 | 182 | 52 | 768 | 182 | 20 | 41 |
| BVM1-11 | 1.5 | 1.15 | 3 | 208-230V/460V | 56C | 429 | 284 | 183 | 52 | 765 | 183 | 22 | 41 | 432 | 284 | 183 | 52 | 768 | 183 | 20 | 39 |
| BVM1-12 | 1.5 | 1.15 | 1 | 115V/208-230V | 56C | 447 | 283 | 182 | 52 | 783 | 182 | 23 | 44 | 450 | 283 | 182 | 52 | 785 | 182 | 20 | 41 |
| BVM1-12 | 1.5 | 1.15 | 3 | 208-230V/460V | 56C | 447 | 284 | 183 | 52 | 783 | 183 | 23 | 42 | 450 | 284 | 183 | 52 | 786 | 183 | 20 | 39 |
| BVM1-13 | 1.5 | 1.15 | 1 | 115V/208-230V | 56C | 465 | 283 | 182 | 52 | 801 | 182 | 24 | 44 | 467 | 283 | 182 | 52 | 803 | 182 | 21 | 42 |
| BVM1-13 | 1.5 | 1.15 | 3 | 208-230V/460V | 56C | 465 | 284 | 183 | 52 | 801 | 183 | 24 | 43 | 467 | 284 | 183 | 52 | 803 | 183 | 21 | 40 |
| BVM1-15 | 2 | 1.15 | 1 | 115V/208-230V | 56C | 518 | 306 | 182 | 52 | 877 | 182 | 25 | 49 | 521 | 306 | 182 | 52 | 879 | 182 | 22 | 46 |
| BVM1-15 | 2 | 1.15 | 3 | 208-230V/460V | 56C | 518 | 306 | 183 | 52 | 877 | 183 | 25 | 47 | 521 | 306 | 183 | 52 | 879 | 183 | 22 | 44 |
| BVM1-17 | 2 | 1.15 | 1 | 115V/208-230V | 56C | 554 | 306 | 182 | 52 | 912 | 182 | 26 | 50 | 556 | 306 | 182 | 52 | 915 | 182 | 23 | 47 |
| BVM1-17 | 2 | 1.15 | 3 | 208-230V/460V | 56C | 554 | 306 | 183 | 52 | 912 | 183 | 26 | 48 | 556 | 306 | 183 | 52 | 915 | 183 | 23 | 46 |
| BVM1-19 | 3 | 1.15 | 1 | 115V/208-230V | 182TC | 602 | 392 | 225 | 67 | 1060 | 225 | 28 | 68 | 592 | 392 | 225 | 67 | 1050 | 225 | 25 | 65 |
| BVM1-19 | 3 | 1.15 | 3 | 208-230V/460V | 182TC | 602 | 354 | 225 | 67 | 1022 | 225 | 28 | 59 | 592 | 354 | 225 | 67 | 1012 | 225 | 25 | 56 |
| BVM1-21 | 3 | 1.15 | 1 | 115V/208-230V | 182TC | 638 | 392 | 225 | 67 | 1096 | 225 | 29 | 69 | 627 | 392 | 225 | 67 | 1086 | 225 | 26 | 66 |
| BVM1-21 | 3 | 1.15 | 3 | 208-230V/460V | 182TC | 638 | 354 | 225 | 67 | 1058 | 225 | 29 | 60 | 627 | 354 | 225 | 67 | 1048 | 225 | 26 | 57 |
| BVM1-23 | 3 | 1.15 | 1 | 115V/208-230V | 182TC | 693 | 392 | 225 | 67 | 1152 | 225 | 30 | 70 | 663 | 392 | 225 | 67 | 1121 | 225 | 28 | 68 |
| BVM1-23 | 3 | 1.15 | 3 | 208-230V/460V | 182TC | 693 | 354 | 225 | 67 | 1114 | 225 | 30 | 61 | 663 | 354 | 220 | 67 | 1083 | 220 | 28 | 59 |
| BVM1-25 | 3 | 1.15 | 1 | 115V/208-230V | 182TC | 729 | 392 | 225 | 67 | 1187 | 225 | 31 | 71 | 701 | 392 | 220 | 67 | 1159 | 220 | 29 | 69 |
| BVM1-25 | 3 | 1.15 | 3 | 208-230V/460V | 182TC | 729 | 354 | 225 | 67 | 1149 | 225 | 31 | 62 | 701 | 354 | 220 | 67 | 1122 | 220 | 29 | 60 |
| BVM1-27 | 3 | 1.15 | 3 | 208-230V/460V | 182TC | 749 | 354 | 225 | 67 | 1170 | 225 | 33 | 63 | 742 | 354 | 220 | 67 | 1162 | 220 | 30 | 61 |
| BVM1-27 | 3 | 1.15 | 1 | 115V/208-230V | 182TC | 749 | 392 | 225 | 67 | 1208 | 225 | 33 | 73 | 742 | 392 | 220 | 67 | 1200 | 220 | 30 | 70 |

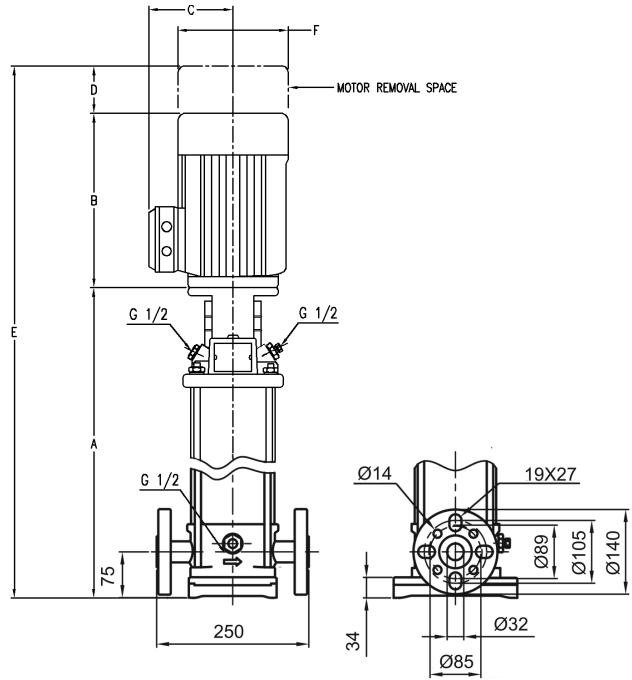
DIMENSION TABLES

BVM

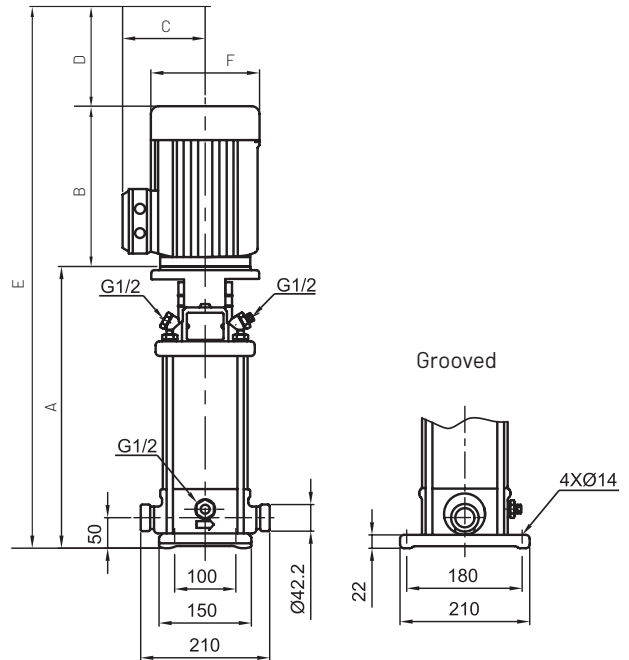


Dual 1-1/4" NPT / 1-1/4" ANSI 250# Flanges

BVMI/BVMX



ANSI 250# Flanges



Grooved

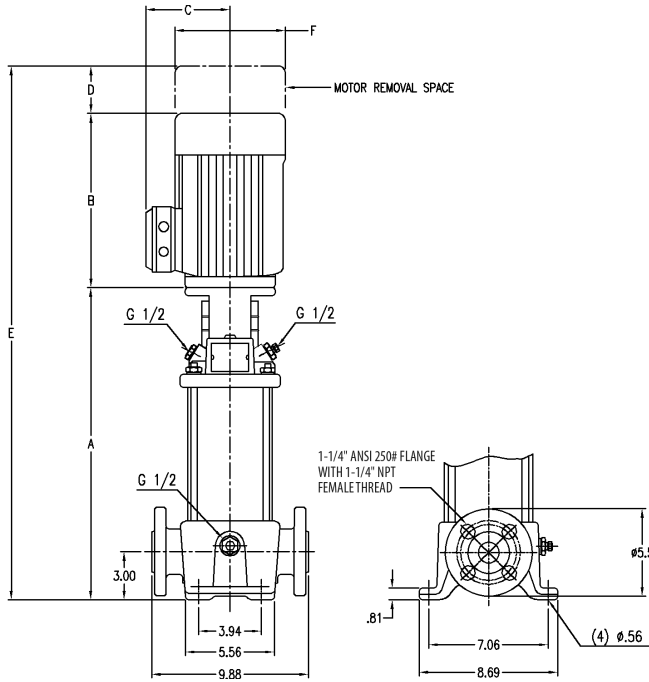
DIMENSION TABLES

| MODEL NUMBER | MOTOR HP | MOTOR SERVICE FACTOR | PHASE | VOLTAGE | MOTOR FRAME | BVM CAST IRON | | | | | | | BVMI/BVMX STAINLESS STEEL | | | | | | | | |
|--------------|----------|----------------------|-------|---------------|-------------|----------------------|------|-----|-----|------|-----|---------------|---------------------------|----------------------|------|-----|-----|------|-----|---------------|--------------|
| | | | | | | DIMENSIONS IN INCHES | | | | | | WEIGHT IN LBS | | DIMENSIONS IN INCHES | | | | | | WEIGHT IN LBS | |
| | | | | | | A | B | C | D | E | F | PUMP END ONLY | PUMP & MOTOR | A | B | C | D | E | F | PUMP END ONLY | PUMP & MOTOR |
| BVM3-2 | 0.5 | 1.25 | 1 | 115V/208-230V | 56C | 11.0 | 9.3 | 6.0 | 2.1 | 22.4 | 6.0 | 38 | 59 | 11.1 | 9.3 | 6.0 | 2.1 | 22.5 | 6.0 | 32 | 53 |
| BVM3-2 | 0.5 | 1.25 | 3 | 208-230V/460V | 56C | 11.0 | 10.2 | 6.6 | 2.1 | 23.2 | 6.6 | 38 | 73 | 11.1 | 10.2 | 6.6 | 2.1 | 23.3 | 6.6 | 32 | 67 |
| BVM3-3 | 0.5 | 1.25 | 1 | 115V/208-230V | 56C | 11.0 | 9.3 | 6.0 | 2.1 | 22.4 | 6.0 | 39 | 60 | 11.1 | 9.3 | 6.0 | 2.1 | 22.5 | 6.0 | 33 | 54 |
| BVM3-3 | 0.5 | 1.25 | 3 | 208-230V/460V | 56C | 11.0 | 10.2 | 6.6 | 2.1 | 23.2 | 6.6 | 39 | 74 | 11.1 | 10.2 | 6.6 | 2.1 | 23.3 | 6.6 | 33 | 68 |
| BVM3-4 | 0.75 | 1.25 | 1 | 115V/208-230V | 56C | 11.7 | 9.9 | 6.0 | 2.1 | 23.7 | 6.0 | 40 | 69 | 11.8 | 9.9 | 6.0 | 2.1 | 23.8 | 6.0 | 35 | 64 |
| BVM3-4 | 0.75 | 1.25 | 3 | 208-230V/460V | 56C | 11.7 | 10.2 | 6.6 | 2.1 | 23.9 | 6.6 | 40 | 70 | 11.8 | 10.2 | 6.6 | 2.1 | 24.0 | 6.6 | 35 | 65 |
| BVM3-5 | 1 | 1.25 | 1 | 115V/208-230V | 56C | 12.6 | 10.2 | 6.6 | 2.1 | 24.8 | 6.6 | 42 | 77 | 12.8 | 10.2 | 6.6 | 2.1 | 25.0 | 6.6 | 36 | 71 |
| BVM3-5 | 1 | 1.25 | 3 | 208-230V/460V | 56C | 12.6 | 10.4 | 7.2 | 2.1 | 25.1 | 7.2 | 42 | 95 | 12.8 | 10.4 | 7.2 | 2.1 | 25.3 | 7.2 | 36 | 89 |
| BVM3-6 | 1 | 1.25 | 1 | 115V/208-230V | 56C | 13.3 | 10.2 | 6.6 | 2.1 | 25.5 | 6.6 | 43 | 78 | 13.5 | 10.2 | 6.6 | 2.1 | 25.7 | 6.6 | 37 | 72 |
| BVM3-6 | 1 | 1.25 | 3 | 208-230V/460V | 56C | 13.3 | 10.4 | 7.2 | 2.1 | 25.8 | 7.2 | 43 | 96 | 13.5 | 10.4 | 7.2 | 2.1 | 26.0 | 7.2 | 37 | 90 |
| BVM3-7 | 1.5 | 1.15 | 1 | 115V/208-230V | 56C | 14.0 | 11.2 | 7.2 | 2.1 | 27.2 | 7.2 | 44 | 90 | 14.2 | 11.2 | 7.2 | 2.1 | 27.4 | 7.2 | 39 | 85 |
| BVM3-7 | 1.5 | 1.15 | 3 | 208-230V/460V | 56C | 14.0 | 11.2 | 7.2 | 2.1 | 27.2 | 7.2 | 44 | 86 | 14.2 | 11.2 | 7.2 | 2.1 | 27.4 | 7.2 | 39 | 81 |
| BVM3-8 | 1.5 | 1.15 | 1 | 115V/208-230V | 56C | 14.8 | 11.2 | 7.2 | 2.1 | 28.0 | 7.2 | 46 | 92 | 14.9 | 11.2 | 7.2 | 2.1 | 28.1 | 7.2 | 40 | 86 |
| BVM3-8 | 1.5 | 1.15 | 3 | 208-230V/460V | 56C | 14.8 | 11.2 | 7.2 | 2.1 | 28.0 | 7.2 | 46 | 88 | 14.9 | 11.2 | 7.2 | 2.1 | 28.1 | 7.2 | 40 | 82 |
| BVM3-9 | 1.5 | 1.15 | 1 | 115V/208-230V | 56C | 16.1 | 11.2 | 7.2 | 2.1 | 29.3 | 7.2 | 47 | 93 | 16.2 | 11.2 | 7.2 | 2.1 | 29.4 | 7.2 | 41 | 87 |
| BVM3-9 | 1.5 | 1.15 | 3 | 208-230V/460V | 56C | 16.1 | 11.2 | 7.2 | 2.1 | 29.3 | 7.2 | 47 | 89 | 16.2 | 11.2 | 7.2 | 2.1 | 29.4 | 7.2 | 41 | 83 |
| BVM3-10 | 2 | 1.15 | 1 | 115V/208-230V | 56C | 16.8 | 12.1 | 7.2 | 2.1 | 30.9 | 7.2 | 48 | 101 | 16.9 | 12.1 | 7.2 | 2.1 | 31.0 | 7.2 | 42 | 95 |
| BVM3-10 | 2 | 1.15 | 3 | 208-230V/460V | 56C | 16.8 | 12.1 | 7.2 | 2.1 | 30.9 | 7.2 | 48 | 97 | 16.9 | 12.1 | 7.2 | 2.1 | 31.0 | 7.2 | 42 | 91 |
| BVM3-11 | 2 | 1.15 | 1 | 115V/208-230V | 56C | 17.5 | 12.1 | 7.2 | 2.1 | 31.6 | 7.2 | 49 | 102 | 17.6 | 12.1 | 7.2 | 2.1 | 31.7 | 7.2 | 44 | 97 |
| BVM3-11 | 2 | 1.15 | 3 | 208-230V/460V | 56C | 17.5 | 12.1 | 7.2 | 2.1 | 31.6 | 7.2 | 49 | 98 | 17.6 | 12.1 | 7.2 | 2.1 | 31.7 | 7.2 | 44 | 93 |
| BVM3-12 | 2 | 1.15 | 1 | 115V/208-230V | 56C | 18.2 | 12.1 | 7.2 | 2.1 | 32.3 | 7.2 | 51 | 104 | 18.3 | 12.1 | 7.2 | 2.1 | 32.4 | 7.2 | 45 | 98 |
| BVM3-12 | 2 | 1.15 | 3 | 208-230V/460V | 56C | 18.2 | 12.1 | 7.2 | 2.1 | 32.3 | 7.2 | 51 | 100 | 18.3 | 12.1 | 7.2 | 2.1 | 32.4 | 7.2 | 45 | 94 |
| BVM3-13 | 3 | 1.15 | 1 | 115V/208-230V | 182TC | 19.4 | 15.4 | 8.9 | 2.6 | 37.4 | 8.9 | 54 | 142 | 19.6 | 15.4 | 8.7 | 2.6 | 37.6 | 8.7 | 48 | 136 |
| BVM3-13 | 3 | 1.15 | 3 | 208-230V/460V | 182TC | 19.4 | 13.9 | 8.9 | 2.6 | 36.0 | 8.9 | 54 | 122 | 19.6 | 13.9 | 8.7 | 2.6 | 36.2 | 8.7 | 48 | 116 |
| BVM3-15 | 3 | 1.15 | 1 | 115V/208-230V | 182TC | 20.9 | 15.4 | 8.9 | 2.6 | 38.9 | 8.9 | 56 | 144 | 21.0 | 15.4 | 8.7 | 2.6 | 39.0 | 8.7 | 51 | 139 |
| BVM3-15 | 3 | 1.15 | 3 | 208-230V/460V | 182TC | 20.9 | 13.9 | 8.9 | 2.6 | 37.5 | 8.9 | 56 | 124 | 21.0 | 13.9 | 8.7 | 2.6 | 37.6 | 8.7 | 51 | 119 |
| BVM3-17 | 3 | 1.15 | 1 | 115V/208-230V | 182TC | 22.3 | 15.4 | 8.9 | 2.6 | 40.3 | 8.9 | 59 | 147 | 22.9 | 15.4 | 8.7 | 2.6 | 40.9 | 8.7 | 53 | 141 |
| BVM3-17 | 3 | 1.15 | 3 | 208-230V/460V | 182TC | 22.3 | 13.9 | 8.9 | 2.6 | 38.9 | 8.9 | 59 | 127 | 22.9 | 13.9 | 8.7 | 2.6 | 39.5 | 8.7 | 53 | 121 |
| BVM3-19 | 5 | 1.15 | 1 | 208-230V | 213TC | 24.3 | 15.5 | 9.6 | 3.1 | 42.9 | 9.6 | 62 | 179 | 24.5 | 15.5 | 9.6 | 3.1 | 43.1 | 9.6 | 56 | 173 |
| BVM3-19 | 5 | 1.15 | 3 | 208-230V/460V | 184TC | 24.3 | 13.9 | 8.9 | 2.6 | 40.9 | 8.9 | 62 | 130 | 24.5 | 13.9 | 8.9 | 2.6 | 41.1 | 8.9 | 56 | 124 |
| BVM3-21 | 5 | 1.15 | 1 | 208-230V | 213TC | 25.8 | 15.5 | 9.6 | 3.1 | 44.4 | 9.6 | 64 | 181 | 25.9 | 15.5 | 9.6 | 3.1 | 44.5 | 9.6 | 58 | 175 |
| BVM3-21 | 5 | 1.15 | 3 | 208-230V/460V | 184TC | 25.8 | 13.9 | 8.9 | 2.6 | 42.4 | 8.9 | 64 | 132 | 25.9 | 13.9 | 8.9 | 2.6 | 42.5 | 8.9 | 58 | 126 |
| BVM3-23 | 5 | 1.15 | 1 | 208-230V | 213TC | 27.2 | 15.5 | 9.6 | 3.1 | 45.8 | 9.6 | 67 | 184 | 27.3 | 15.5 | 9.6 | 3.1 | 45.9 | 9.6 | 61 | 178 |
| BVM3-23 | 5 | 1.15 | 3 | 208-230V/460V | 184TC | 27.2 | 13.9 | 8.9 | 2.6 | 43.8 | 8.9 | 67 | 135 | 27.3 | 13.9 | 8.9 | 2.6 | 43.9 | 8.9 | 61 | 129 |
| BVM3-25 | 5 | 1.15 | 1 | 208-230V | 213TC | 28.1 | 15.5 | 9.6 | 3.1 | 46.7 | 9.6 | 69 | 186 | 27.8 | 15.5 | 9.6 | 3.1 | 46.4 | 9.6 | 64 | 181 |
| BVM3-25 | 5 | 1.15 | 3 | 208-230V/460V | 184TC | 28.1 | 13.9 | 8.9 | 2.6 | 44.7 | 8.9 | 69 | 137 | 27.8 | 13.9 | 8.9 | 2.6 | 44.4 | 8.9 | 64 | 132 |

DIMENSION TABLES

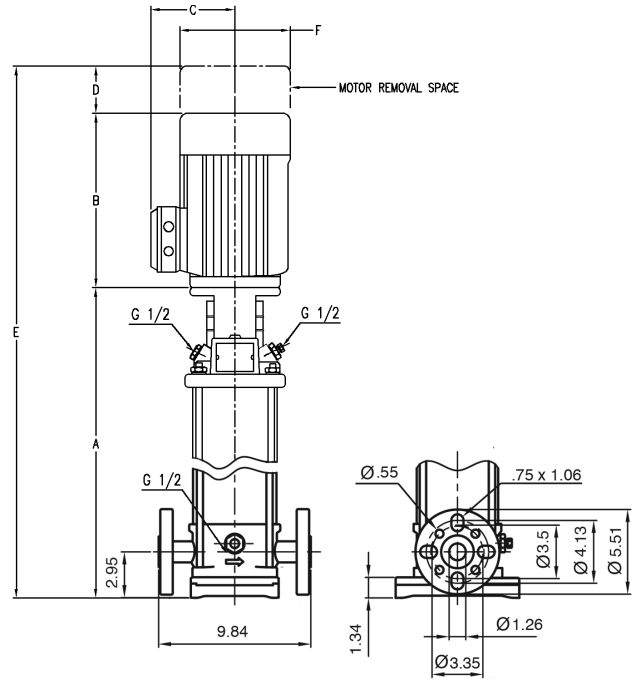
PUMP DIMENSIONS - STANDARD

BVM

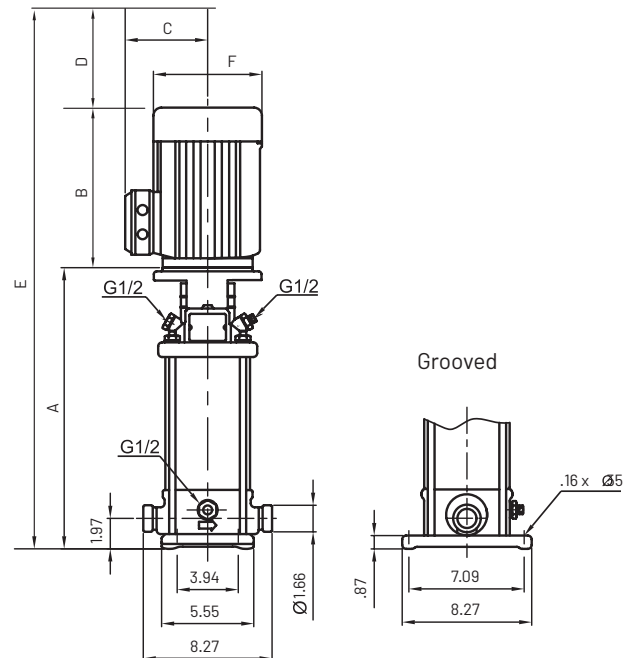


Dual 1-1/4" NPT / 1-1/4" ANSI 250# Flanges

BVMI/BVMX



ANSI 250# Flanges



Grooved

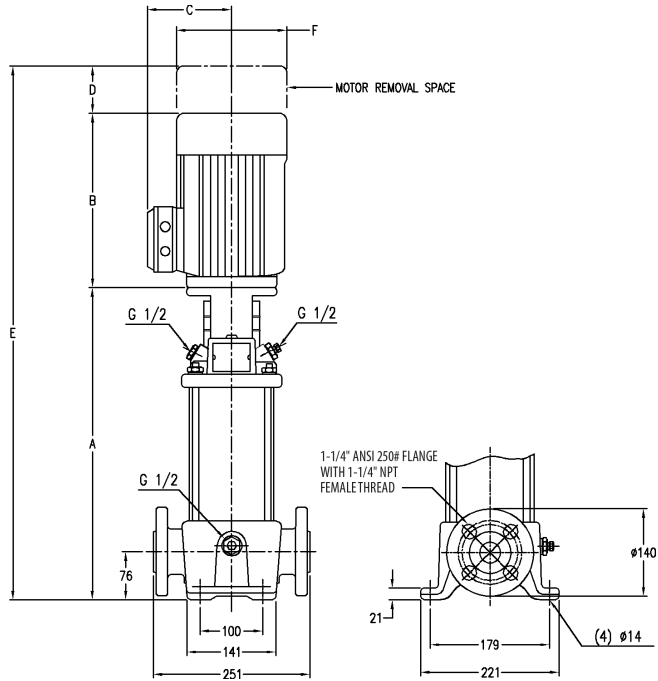
DIMENSION TABLES

PUMP DIMENSIONS – METRIC

| MODEL NUMBER | MOTOR HP | MOTOR SAFETY FACTOR | PHASE | VOLTAGE | MOTOR FRAME | BVM CAST IRON | | | | | | | | BVMI/BVMX STAINLESS STEEL | | | | | | | |
|--------------|----------|---------------------|-------|---------------|-------------|------------------|-----|-----|----|------|-----|---------------|--------------|---------------------------|-----|-----|----|------|-----|---------------|--------------|
| | | | | | | DIMENSIONS IN MM | | | | | | WEIGHT IN KGS | | DIMENSIONS IN MM | | | | | | WEIGHT IN KGS | |
| | | | | | | A | B | C | D | E | F | PUMP END ONLY | PUMP & MOTOR | A | B | C | D | E | F | PUMP END ONLY | PUMP & MOTOR |
| BVM3-2 | 0.5 | 1.25 | 1 | 115V/208-230V | 56C | 279 | 236 | 153 | 52 | 568 | 153 | 17 | 27 | 282 | 236 | 153 | 52 | 570 | 153 | 15 | 24 |
| BVM3-2 | 0.5 | 1.25 | 3 | 208-230V/460V | 56C | 279 | 258 | 168 | 52 | 590 | 168 | 17 | 33 | 282 | 258 | 168 | 52 | 593 | 168 | 15 | 30 |
| BVM3-3 | 0.5 | 1.25 | 1 | 115V/208-230V | 56C | 279 | 236 | 153 | 52 | 568 | 153 | 18 | 27 | 282 | 236 | 153 | 52 | 570 | 153 | 15 | 25 |
| BVM3-3 | 0.5 | 1.25 | 3 | 208-230V/460V | 56C | 279 | 258 | 168 | 52 | 590 | 168 | 18 | 34 | 282 | 258 | 168 | 52 | 593 | 168 | 15 | 31 |
| BVM3-4 | 0.75 | 1.25 | 1 | 115V/208-230V | 56C | 297 | 252 | 153 | 52 | 601 | 153 | 18 | 31 | 300 | 252 | 153 | 52 | 604 | 153 | 16 | 29 |
| BVM3-4 | 0.75 | 1.25 | 3 | 208-230V/460V | 56C | 297 | 258 | 168 | 52 | 608 | 168 | 18 | 32 | 300 | 258 | 168 | 52 | 610 | 168 | 16 | 29 |
| BVM3-5 | 1 | 1.25 | 1 | 115V/208-230V | 56C | 320 | 258 | 168 | 52 | 631 | 168 | 19 | 35 | 325 | 258 | 168 | 52 | 636 | 168 | 16 | 32 |
| BVM3-5 | 1 | 1.25 | 3 | 208-230V/460V | 56C | 320 | 264 | 183 | 52 | 637 | 183 | 19 | 43 | 325 | 264 | 183 | 52 | 642 | 183 | 16 | 40 |
| BVM3-6 | 1 | 1.25 | 1 | 115V/208-230V | 56C | 338 | 258 | 168 | 52 | 648 | 168 | 19 | 35 | 343 | 258 | 168 | 52 | 653 | 168 | 17 | 33 |
| BVM3-6 | 1 | 1.25 | 3 | 208-230V/460V | 56C | 338 | 264 | 183 | 52 | 655 | 183 | 19 | 43 | 343 | 264 | 183 | 52 | 660 | 183 | 17 | 41 |
| BVM3-7 | 1.5 | 1.15 | 1 | 115V/208-230V | 56C | 356 | 283 | 182 | 52 | 691 | 182 | 20 | 41 | 361 | 283 | 182 | 52 | 697 | 182 | 17 | 38 |
| BVM3-7 | 1.5 | 1.15 | 3 | 208-230V/460V | 56C | 356 | 284 | 183 | 52 | 692 | 183 | 20 | 39 | 361 | 284 | 183 | 52 | 697 | 183 | 17 | 37 |
| BVM3-8 | 1.5 | 1.15 | 1 | 115V/208-230V | 56C | 376 | 283 | 182 | 52 | 712 | 182 | 21 | 41 | 378 | 283 | 182 | 52 | 714 | 182 | 18 | 39 |
| BVM3-8 | 1.5 | 1.15 | 3 | 208-230V/460V | 56C | 376 | 284 | 183 | 52 | 712 | 183 | 21 | 40 | 378 | 284 | 183 | 52 | 715 | 183 | 18 | 37 |
| BVM3-9 | 1.5 | 1.15 | 1 | 115V/208-230V | 56C | 409 | 283 | 182 | 52 | 745 | 182 | 21 | 42 | 411 | 283 | 182 | 52 | 747 | 182 | 19 | 40 |
| BVM3-9 | 1.5 | 1.15 | 3 | 208-230V/460V | 56C | 409 | 284 | 183 | 52 | 745 | 183 | 21 | 40 | 411 | 284 | 183 | 52 | 748 | 183 | 19 | 38 |
| BVM3-10 | 2 | 1.15 | 1 | 115V/208-230V | 56C | 427 | 306 | 182 | 52 | 785 | 182 | 22 | 46 | 429 | 306 | 182 | 52 | 788 | 182 | 19 | 43 |
| BVM3-10 | 2 | 1.15 | 3 | 208-230V/460V | 56C | 427 | 306 | 183 | 52 | 785 | 183 | 22 | 44 | 429 | 306 | 183 | 52 | 788 | 183 | 19 | 41 |
| BVM3-11 | 2 | 1.15 | 1 | 115V/208-230V | 56C | 445 | 306 | 182 | 52 | 803 | 182 | 22 | 46 | 447 | 306 | 182 | 52 | 806 | 182 | 20 | 44 |
| BVM3-11 | 2 | 1.15 | 3 | 208-230V/460V | 56C | 445 | 306 | 183 | 52 | 803 | 183 | 22 | 45 | 447 | 306 | 183 | 52 | 806 | 183 | 20 | 42 |
| BVM3-12 | 2 | 1.15 | 1 | 115V/208-230V | 56C | 462 | 306 | 182 | 52 | 821 | 182 | 23 | 47 | 465 | 306 | 182 | 52 | 823 | 182 | 20 | 44 |
| BVM3-12 | 2 | 1.15 | 3 | 208-230V/460V | 56C | 462 | 306 | 183 | 52 | 821 | 183 | 23 | 45 | 465 | 306 | 183 | 52 | 823 | 183 | 20 | 43 |
| BVM3-13 | 3 | 1.15 | 1 | 115V/208-230V | 182TC | 493 | 392 | 225 | 67 | 951 | 225 | 24 | 64 | 498 | 392 | 220 | 67 | 956 | 220 | 22 | 62 |
| BVM3-13 | 3 | 1.15 | 3 | 208-230V/460V | 182TC | 493 | 354 | 225 | 67 | 913 | 225 | 24 | 55 | 498 | 354 | 220 | 67 | 918 | 220 | 22 | 53 |
| BVM3-15 | 3 | 1.15 | 1 | 115V/208-230V | 182TC | 531 | 392 | 225 | 67 | 989 | 225 | 26 | 65 | 533 | 392 | 220 | 67 | 992 | 220 | 23 | 63 |
| BVM3-15 | 3 | 1.15 | 3 | 208-230V/460V | 182TC | 531 | 354 | 225 | 67 | 951 | 225 | 26 | 56 | 533 | 354 | 220 | 67 | 954 | 220 | 23 | 54 |
| BVM3-17 | 3 | 1.15 | 1 | 115V/208-230V | 182TC | 566 | 392 | 225 | 67 | 1025 | 225 | 27 | 67 | 582 | 392 | 220 | 67 | 1040 | 220 | 24 | 64 |
| BVM3-17 | 3 | 1.15 | 3 | 208-230V/460V | 182TC | 566 | 354 | 225 | 67 | 987 | 225 | 27 | 58 | 582 | 354 | 220 | 67 | 1002 | 220 | 24 | 55 |
| BVM3-19 | 5 | 1.15 | 1 | 208-230V | 213TC | 617 | 394 | 243 | 79 | 1090 | 243 | 28 | 81 | 622 | 394 | 243 | 79 | 1095 | 243 | 25 | 78 |
| BVM3-19 | 5 | 1.15 | 3 | 208-230V/460V | 184TC | 617 | 354 | 225 | 67 | 1038 | 225 | 28 | 59 | 622 | 354 | 225 | 67 | 1043 | 225 | 25 | 56 |
| BVM3-21 | 5 | 1.15 | 1 | 208-230V | 213TC | 655 | 394 | 243 | 79 | 1128 | 243 | 29 | 82 | 658 | 394 | 243 | 79 | 1131 | 243 | 26 | 80 |
| BVM3-21 | 5 | 1.15 | 3 | 208-230V/460V | 184TC | 655 | 354 | 225 | 67 | 1076 | 225 | 29 | 60 | 658 | 354 | 225 | 67 | 1078 | 225 | 26 | 57 |
| BVM3-23 | 5 | 1.15 | 1 | 208-230V | 213TC | 691 | 394 | 243 | 79 | 1164 | 243 | 30 | 83 | 693 | 394 | 243 | 79 | 1166 | 243 | 28 | 81 |
| BVM3-23 | 5 | 1.15 | 3 | 208-230V/460V | 184TC | 691 | 354 | 225 | 67 | 1111 | 225 | 30 | 61 | 693 | 354 | 225 | 67 | 1114 | 225 | 28 | 59 |
| BVM3-25 | 5 | 1.15 | 1 | 208-230V | 213TC | 714 | 394 | 243 | 79 | 1187 | 243 | 31 | 84 | 706 | 394 | 243 | 79 | 1179 | 243 | 29 | 82 |
| BVM3-25 | 5 | 1.15 | 3 | 208-230V/460V | 184TC | 714 | 354 | 226 | 67 | 1134 | 226 | 31 | 62 | 706 | 354 | 225 | 67 | 1127 | 225 | 29 | 60 |

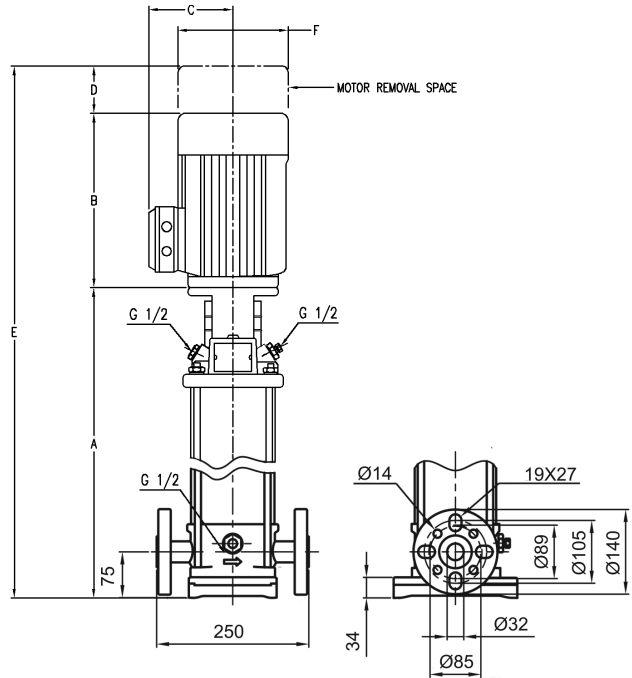
DIMENSION TABLES

BVM

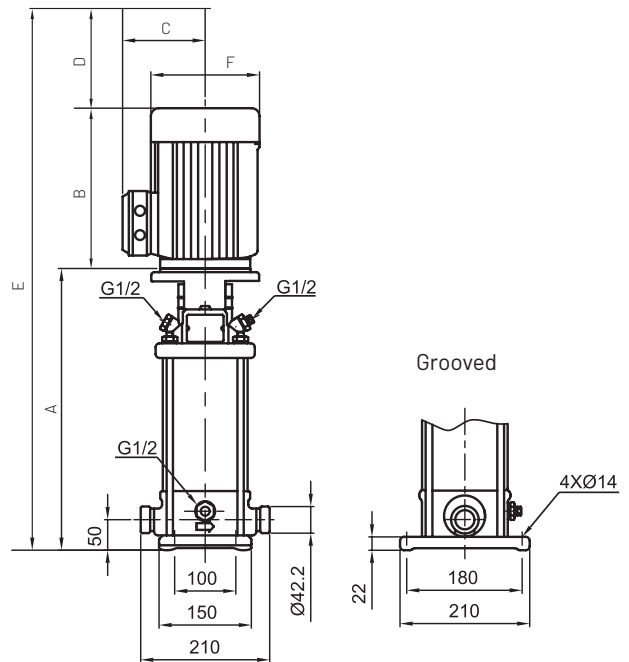


Dual 1-1/4" NPT / 1-1/4" ANSI 250# Flanges

BVMI/BVMX



ANSI 250# Flanges



Grooved

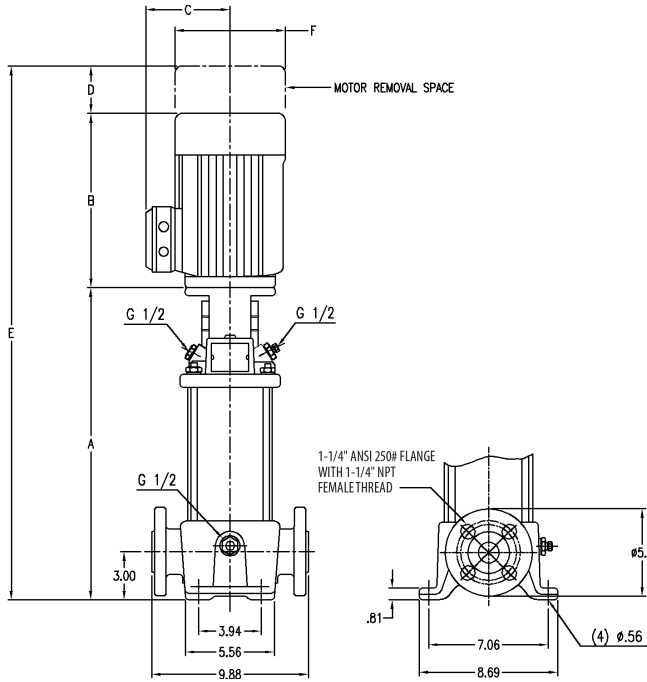
DIMENSION TABLES

| MODEL NUMBER | MOTOR HP | MOTOR SERVICE FACTOR | PHASE | VOLTAGE | MOTOR FRAME | BVM CAST IRON | | | | | | | | BVM/BVMX STAINLESS STEEL | | | | | | | |
|--------------|----------|----------------------|-------|---------------|-------------|----------------------|------|-----|-----|------|-----|---------------|--------------|--------------------------|------|-----|-----|------|-----|---------------|--------------|
| | | | | | | DIMENSIONS IN INCHES | | | | | | WEIGHT IN LBS | | DIMENSIONS IN INCHES | | | | | | WEIGHT IN LBS | |
| | | | | | | A | B | C | D | E | F | PUMP END ONLY | PUMP & MOTOR | A | B | C | D | E | F | PUMP END ONLY | PUMP & MOTOR |
| BVM5-2 | 0.75 | 1.25 | 1 | 115V/208-230V | 56C | 11.0 | 9.9 | 6.0 | 2.1 | 23.0 | 6.0 | 38 | 67 | 11.1 | 9.9 | 6.0 | 2.1 | 23.1 | 6.0 | 32 | 61 |
| BVM5-2 | 0.75 | 1.25 | 3 | 208-230V/460V | 56C | 11.0 | 10.2 | 6.6 | 2.1 | 23.2 | 6.6 | 38 | 68 | 11.1 | 10.2 | 6.6 | 2.1 | 23.3 | 6.6 | 32 | 62 |
| BVM5-3 | 1 | 1.25 | 1 | 115V/208-230V | 56C | 12.3 | 10.2 | 6.6 | 2.1 | 24.5 | 6.6 | 39 | 74 | 12.4 | 10.2 | 6.6 | 2.1 | 24.6 | 6.6 | 33 | 68 |
| BVM5-3 | 1 | 1.25 | 3 | 208-230V/460V | 56C | 12.3 | 10.4 | 7.2 | 2.1 | 24.8 | 7.2 | 39 | 92 | 12.4 | 10.4 | 7.2 | 2.1 | 24.9 | 7.2 | 33 | 86 |
| BVM5-4 | 1.5 | 1.15 | 1 | 115V/208-230V | 56C | 13.3 | 11.2 | 7.2 | 2.1 | 26.5 | 7.2 | 40 | 86 | 13.5 | 11.2 | 7.2 | 2.1 | 26.7 | 7.2 | 35 | 81 |
| BVM5-4 | 1.5 | 1.15 | 3 | 208-230V/460V | 56C | 13.3 | 11.2 | 7.2 | 2.1 | 26.5 | 7.2 | 40 | 82 | 13.5 | 11.2 | 7.2 | 2.1 | 26.7 | 7.2 | 35 | 77 |
| BVM5-5 | 2 | 1.15 | 1 | 115V/208-230V | 56C | 15.0 | 12.1 | 7.2 | 2.1 | 29.1 | 7.2 | 42 | 95 | 15.2 | 12.1 | 7.2 | 2.1 | 29.3 | 7.2 | 36 | 89 |
| BVM5-5 | 2 | 1.15 | 3 | 208-230V/460V | 56C | 15.0 | 12.1 | 7.2 | 2.1 | 29.1 | 7.2 | 42 | 91 | 15.2 | 12.1 | 7.2 | 2.1 | 29.3 | 7.2 | 36 | 85 |
| BVM5-6 | 2 | 1.15 | 1 | 115V/208-230V | 56C | 16.1 | 12.1 | 7.2 | 2.1 | 30.2 | 7.2 | 43 | 96 | 16.2 | 12.1 | 7.2 | 2.1 | 30.3 | 7.2 | 37 | 90 |
| BVM5-6 | 2 | 1.15 | 3 | 208-230V/460V | 56C | 16.1 | 12.1 | 7.2 | 2.1 | 30.2 | 7.2 | 43 | 92 | 16.2 | 12.1 | 7.2 | 2.1 | 30.3 | 7.2 | 37 | 86 |
| BVM5-7 | 3 | 1.15 | 1 | 115V/208-230V | 182TC | 17.7 | 15.4 | 8.9 | 2.6 | 35.7 | 8.9 | 46 | 134 | 17.8 | 15.4 | 8.7 | 2.6 | 35.8 | 8.7 | 40 | 128 |
| BVM5-7 | 3 | 1.15 | 3 | 208-230V/460V | 182TC | 17.7 | 13.9 | 8.9 | 2.6 | 34.3 | 8.9 | 46 | 114 | 17.8 | 13.9 | 8.7 | 2.6 | 34.4 | 8.7 | 40 | 108 |
| BVM5-8 | 3 | 1.15 | 1 | 115V/208-230V | 182TC | 18.7 | 15.4 | 8.9 | 2.6 | 36.7 | 8.9 | 47 | 135 | 18.8 | 15.4 | 8.7 | 2.6 | 36.8 | 8.7 | 42 | 130 |
| BVM5-8 | 3 | 1.15 | 3 | 208-230V/460V | 182TC | 18.7 | 13.9 | 8.9 | 2.6 | 35.3 | 8.9 | 47 | 115 | 18.8 | 13.9 | 8.7 | 2.6 | 35.4 | 8.7 | 42 | 110 |
| BVM5-9 | 3 | 1.15 | 1 | 115V/208-230V | 182TC | 19.8 | 15.4 | 8.9 | 2.6 | 37.8 | 8.9 | 49 | 137 | 19.9 | 15.4 | 8.7 | 2.6 | 37.9 | 8.7 | 43 | 131 |
| BVM5-9 | 3 | 1.15 | 3 | 208-230V/460V | 182TC | 19.8 | 13.9 | 8.9 | 2.6 | 36.4 | 8.9 | 49 | 117 | 19.9 | 13.9 | 8.7 | 2.6 | 36.5 | 8.7 | 43 | 111 |
| BVM5-10 | 5 | 1.15 | 1 | 208-230V | 213TC | 21.0 | 15.5 | 9.6 | 3.1 | 39.6 | 9.6 | 50 | 167 | 21.2 | 15.5 | 9.6 | 3.1 | 39.8 | 9.6 | 44 | 161 |
| BVM5-10 | 5 | 1.15 | 3 | 208-230V/460V | 184TC | 21.0 | 13.9 | 8.9 | 2.6 | 37.6 | 8.9 | 50 | 118 | 21.2 | 13.9 | 8.9 | 2.6 | 37.8 | 8.9 | 44 | 112 |
| BVM5-11 | 5 | 1.15 | 1 | 208-230V | 213TC | 22.1 | 15.5 | 9.6 | 3.1 | 40.7 | 9.6 | 51 | 168 | 22.2 | 15.5 | 9.6 | 3.1 | 40.8 | 9.6 | 45 | 162 |
| BVM5-11 | 5 | 1.15 | 3 | 208-230V/460V | 184TC | 22.1 | 13.9 | 8.9 | 2.6 | 38.7 | 8.9 | 51 | 119 | 22.2 | 13.9 | 8.9 | 2.6 | 38.8 | 8.9 | 45 | 113 |
| BVM5-12 | 5 | 1.15 | 1 | 208-230V | 213TC | 23.1 | 15.5 | 9.6 | 3.1 | 41.7 | 9.6 | 52 | 169 | 23.3 | 15.5 | 9.6 | 3.1 | 41.9 | 9.6 | 47 | 164 |
| BVM5-12 | 5 | 1.15 | 3 | 208-230V/460V | 184TC | 23.1 | 13.9 | 8.9 | 2.6 | 39.7 | 8.9 | 52 | 120 | 23.3 | 13.9 | 8.9 | 2.6 | 39.9 | 8.9 | 47 | 115 |
| BVM5-13 | 5 | 1.15 | 1 | 208-230V | 213TC | 24.2 | 15.5 | 9.6 | 3.1 | 42.8 | 9.6 | 54 | 171 | 24.4 | 15.5 | 9.6 | 3.1 | 43.0 | 9.6 | 48 | 165 |
| BVM5-13 | 5 | 1.15 | 3 | 208-230V/460V | 184TC | 24.2 | 13.9 | 8.9 | 2.6 | 40.8 | 8.9 | 54 | 122 | 24.4 | 13.9 | 8.9 | 2.6 | 41.0 | 8.9 | 48 | 116 |
| BVM5-14 | 5 | 1.15 | 1 | 208-230V | 213TC | 25.3 | 15.5 | 9.6 | 3.1 | 43.9 | 9.6 | 55 | 172 | 25.4 | 15.5 | 9.6 | 3.1 | 44.0 | 9.6 | 49 | 166 |
| BVM5-14 | 5 | 1.15 | 3 | 208-230V/460V | 184TC | 25.3 | 13.9 | 8.9 | 2.6 | 41.9 | 8.9 | 55 | 123 | 25.4 | 13.9 | 8.9 | 2.6 | 42.0 | 8.9 | 49 | 117 |
| BVM5-15 | 5 | 1.15 | 1 | 208-230V | 213TC | 26.3 | 15.5 | 9.6 | 3.1 | 44.9 | 9.6 | 56 | 173 | 26.5 | 15.5 | 9.6 | 3.1 | 45.1 | 9.6 | 51 | 168 |
| BVM5-15 | 5 | 1.15 | 3 | 208-230V/460V | 184TC | 26.3 | 13.9 | 8.9 | 2.6 | 42.9 | 8.9 | 56 | 124 | 26.5 | 13.9 | 8.9 | 2.6 | 43.1 | 8.9 | 51 | 119 |
| BVM5-16 | 5 | 1.15 | 1 | 208-230V | 213TC | 27.4 | 15.5 | 9.6 | 3.1 | 46.0 | 9.6 | 58 | 175 | 27.5 | 15.5 | 9.6 | 3.1 | 46.1 | 9.6 | 52 | 169 |
| BVM5-16 | 5 | 1.15 | 3 | 208-230V/460V | 184TC | 27.4 | 13.9 | 8.9 | 2.6 | 44.0 | 8.9 | 58 | 126 | 27.5 | 13.9 | 8.9 | 2.6 | 44.1 | 8.9 | 52 | 120 |
| BVM5-18 | 7.5 | 1.15 | 1 | 208-230V | 213TC | 29.4 | 15.5 | 8.7 | 3.1 | 48.0 | 8.7 | 60 | 177 | 29.4 | 15.5 | 8.7 | 3.1 | 48.0 | 8.7 | 55 | 172 |
| BVM5-18 | 7.5 | 1.15 | 3 | 208-230V/460V | 213TC | 29.4 | 15.5 | 9.6 | 3.1 | 48.1 | 9.6 | 60 | 158 | 29.4 | 15.5 | 9.6 | 3.1 | 48.1 | 9.6 | 55 | 153 |
| BVM5-20 | 7.5 | 1.15 | 1 | 208-230V | 213TC | 31.5 | 15.5 | 8.7 | 3.1 | 50.1 | 8.7 | 63 | 180 | 31.6 | 15.5 | 8.7 | 3.1 | 50.2 | 8.7 | 57 | 174 |
| BVM5-20 | 7.5 | 1.15 | 3 | 208-230V/460V | 213TC | 21.5 | 15.5 | 9.6 | 3.1 | 40.2 | 9.6 | 63 | 161 | 31.6 | 15.5 | 9.6 | 3.1 | 50.3 | 9.6 | 57 | 155 |
| BVM5-22 | 7.5 | 1.15 | 1 | 208-230V | 213TC | 33.6 | 15.5 | 8.7 | 3.1 | 52.2 | 8.7 | 65 | 182 | 33.8 | 15.5 | 8.7 | 3.1 | 52.4 | 8.7 | 60 | 177 |
| BVM5-22 | 7.5 | 1.15 | 3 | 208-230V/460V | 213TC | 33.6 | 15.5 | 9.6 | 3.1 | 52.3 | 9.6 | 65 | 163 | 33.8 | 15.5 | 9.6 | 3.1 | 52.5 | 9.6 | 60 | 158 |
| BVM5-24 | 7.5 | 1.15 | 1 | 208-230V | 213TC | 35.7 | 15.5 | 8.7 | 3.1 | 54.3 | 8.7 | 68 | 185 | 35.9 | 15.5 | 8.7 | 3.1 | 54.5 | 8.7 | 62 | 179 |
| BVM5-24 | 7.5 | 1.15 | 3 | 208-230V/460V | 213TC | 35.7 | 15.5 | 9.6 | 3.1 | 54.4 | 9.6 | 68 | 166 | 35.9 | 15.5 | 9.6 | 3.1 | 54.6 | 9.6 | 62 | 160 |

DIMENSION TABLES

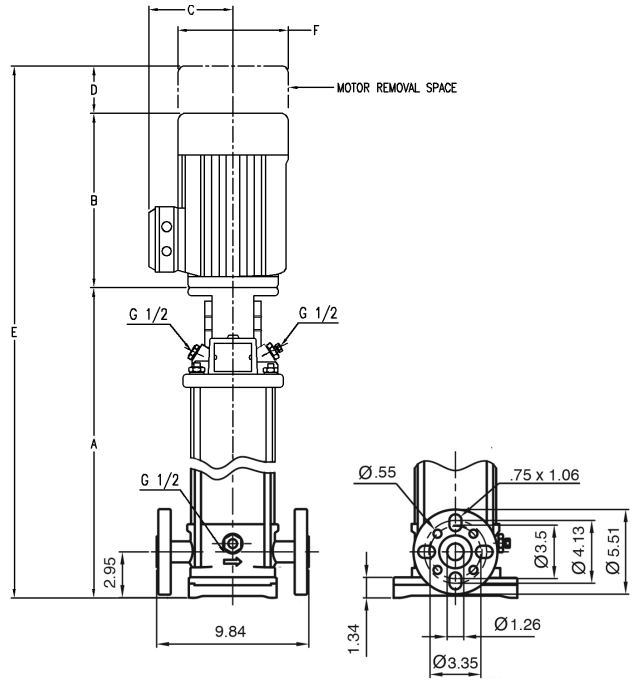
PUMP DIMENSIONS - STANDARD

BVM

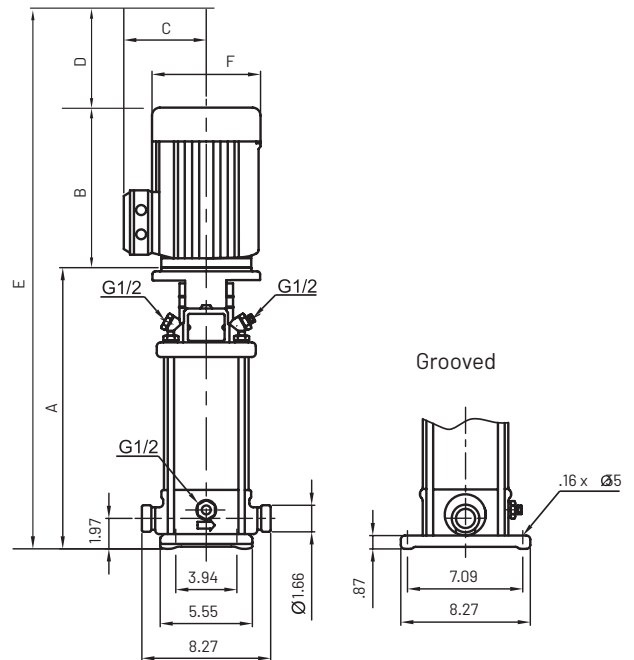


Dual 1-1/4" NPT / 1-1/4" ANSI 250# Flanges

BVMI/BVMX



ANSI 250# Flanges



Grooved

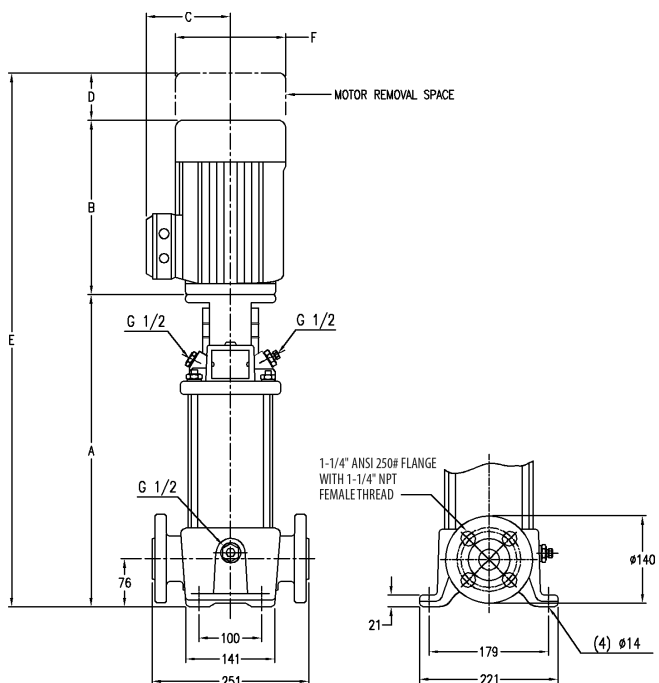
DIMENSION TABLES

PUMP DIMENSIONS - METRIC

| MODEL NUMBER | MOTOR HP | MOTOR SAFETY FACTOR | PHASE | VOLTAGE | MOTOR FRAME | BVM CAST IRON | | | | | | | | BVMI/BVMX STAINLESS STEEL | | | | | | | |
|--------------|----------|---------------------|-------|---------------|-------------|------------------|-----|-----|----|------|-----|---------------|--------------|---------------------------|-----|-----|----|------|-----|---------------|--------------|
| | | | | | | DIMENSIONS IN MM | | | | | | WEIGHT IN KGS | | DIMENSIONS IN MM | | | | | | WEIGHT IN KGS | |
| | | | | | | A | B | C | D | E | F | PUMP END ONLY | PUMP & MOTOR | A | B | C | D | E | F | PUMP END ONLY | PUMP & MOTOR |
| BVM5-2 | 0.75 | 1.25 | 1 | 115V/208-230V | 56C | 279 | 252 | 153 | 52 | 584 | 153 | 17 | 30 | 282 | 252 | 153 | 52 | 586 | 153 | 15 | 28 |
| BVM5-2 | 0.75 | 1.25 | 3 | 208-230V/460V | 56C | 279 | 258 | 168 | 52 | 590 | 168 | 17 | 31 | 282 | 258 | 168 | 52 | 593 | 168 | 15 | 28 |
| BVM5-3 | 1 | 1.25 | 1 | 115V/208-230V | 56C | 312 | 258 | 168 | 52 | 623 | 168 | 18 | 34 | 315 | 258 | 168 | 52 | 625 | 168 | 15 | 31 |
| BVM5-3 | 1 | 1.25 | 3 | 208-230V/460V | 56C | 312 | 264 | 183 | 52 | 629 | 183 | 18 | 42 | 315 | 264 | 183 | 52 | 632 | 183 | 15 | 39 |
| BVM5-4 | 1.5 | 1.15 | 1 | 115V/208-230V | 56C | 338 | 283 | 182 | 52 | 674 | 182 | 18 | 39 | 343 | 283 | 182 | 52 | 679 | 182 | 16 | 37 |
| BVM5-4 | 1.5 | 1.15 | 3 | 208-230V/460V | 56C | 338 | 284 | 183 | 52 | 674 | 183 | 18 | 37 | 343 | 284 | 183 | 52 | 679 | 183 | 16 | 35 |
| BVM5-5 | 2 | 1.15 | 1 | 115V/208-230V | 56C | 381 | 306 | 182 | 52 | 739 | 182 | 19 | 43 | 386 | 306 | 182 | 52 | 745 | 182 | 16 | 40 |
| BVM5-5 | 2 | 1.15 | 3 | 208-230V/460V | 56C | 381 | 306 | 183 | 52 | 739 | 183 | 19 | 41 | 386 | 306 | 183 | 52 | 745 | 183 | 16 | 39 |
| BVM5-6 | 2 | 1.15 | 1 | 115V/208-230V | 56C | 409 | 306 | 182 | 52 | 767 | 182 | 19 | 43 | 411 | 306 | 182 | 52 | 770 | 182 | 17 | 41 |
| BVM5-6 | 2 | 1.15 | 3 | 208-230V/460V | 56C | 409 | 306 | 183 | 52 | 767 | 183 | 19 | 42 | 411 | 306 | 183 | 52 | 770 | 183 | 17 | 39 |
| BVM5-7 | 3 | 1.15 | 1 | 115V/208-230V | 182TC | 450 | 392 | 225 | 67 | 908 | 225 | 21 | 61 | 452 | 392 | 220 | 67 | 910 | 220 | 18 | 58 |
| BVM5-7 | 3 | 1.15 | 3 | 208-230V/460V | 182TC | 450 | 354 | 225 | 67 | 870 | 225 | 21 | 52 | 452 | 354 | 220 | 67 | 873 | 220 | 18 | 49 |
| BVM5-8 | 3 | 1.15 | 1 | 115V/208-230V | 182TC | 475 | 392 | 225 | 67 | 933 | 225 | 21 | 61 | 478 | 392 | 220 | 67 | 936 | 220 | 19 | 59 |
| BVM5-8 | 3 | 1.15 | 3 | 208-230V/460V | 182TC | 475 | 354 | 225 | 67 | 895 | 225 | 21 | 52 | 478 | 354 | 220 | 67 | 898 | 220 | 19 | 50 |
| BVM5-9 | 3 | 1.15 | 1 | 115V/208-230V | 182TC | 503 | 392 | 225 | 67 | 961 | 225 | 22 | 62 | 505 | 392 | 220 | 67 | 964 | 220 | 19 | 59 |
| BVM5-9 | 3 | 1.15 | 3 | 208-230V/460V | 182TC | 503 | 354 | 225 | 67 | 923 | 225 | 22 | 53 | 505 | 354 | 220 | 67 | 926 | 220 | 19 | 50 |
| BVM5-10 | 5 | 1.15 | 1 | 208-230V | 213TC | 533 | 394 | 243 | 79 | 1006 | 243 | 23 | 76 | 538 | 394 | 243 | 79 | 1012 | 243 | 20 | 73 |
| BVM5-10 | 5 | 1.15 | 3 | 208-230V/460V | 184TC | 533 | 354 | 225 | 67 | 954 | 225 | 23 | 53 | 538 | 354 | 225 | 67 | 959 | 225 | 20 | 51 |
| BVM5-11 | 5 | 1.15 | 1 | 208-230V | 213TC | 561 | 394 | 243 | 79 | 1034 | 243 | 23 | 76 | 564 | 394 | 243 | 79 | 1037 | 243 | 21 | 74 |
| BVM5-11 | 5 | 1.15 | 3 | 208-230V/460V | 184TC | 561 | 354 | 225 | 67 | 982 | 225 | 23 | 54 | 564 | 354 | 225 | 67 | 984 | 225 | 21 | 51 |
| BVM5-12 | 5 | 1.15 | 1 | 208-230V | 213TC | 587 | 394 | 243 | 79 | 1060 | 243 | 24 | 77 | 592 | 394 | 243 | 79 | 1065 | 243 | 21 | 74 |
| BVM5-12 | 5 | 1.15 | 3 | 208-230V/460V | 184TC | 587 | 354 | 225 | 67 | 1007 | 225 | 24 | 55 | 592 | 354 | 225 | 67 | 1012 | 225 | 21 | 52 |
| BVM5-13 | 5 | 1.15 | 1 | 208-230V | 213TC | 615 | 394 | 243 | 79 | 1088 | 243 | 24 | 77 | 620 | 394 | 243 | 79 | 1093 | 243 | 22 | 75 |
| BVM5-13 | 5 | 1.15 | 3 | 208-230V/460V | 184TC | 615 | 354 | 225 | 67 | 1035 | 225 | 24 | 55 | 620 | 354 | 225 | 67 | 1040 | 225 | 22 | 53 |
| BVM5-14 | 5 | 1.15 | 1 | 208-230V | 213TC | 643 | 394 | 243 | 79 | 1116 | 243 | 25 | 78 | 645 | 394 | 243 | 79 | 1118 | 243 | 22 | 75 |
| BVM5-14 | 5 | 1.15 | 3 | 208-230V/460V | 184TC | 643 | 354 | 225 | 67 | 1063 | 225 | 25 | 56 | 645 | 354 | 225 | 67 | 1066 | 225 | 22 | 53 |
| BVM5-15 | 5 | 1.15 | 1 | 208-230V | 213TC | 668 | 394 | 243 | 79 | 1141 | 243 | 26 | 79 | 673 | 394 | 243 | 79 | 1146 | 243 | 23 | 76 |
| BVM5-15 | 5 | 1.15 | 3 | 208-230V/460V | 184TC | 668 | 354 | 225 | 67 | 1089 | 225 | 26 | 56 | 673 | 354 | 225 | 67 | 1094 | 225 | 23 | 54 |
| BVM5-16 | 5 | 1.15 | 1 | 208-230V | 213TC | 696 | 394 | 243 | 79 | 1169 | 243 | 26 | 79 | 699 | 394 | 243 | 79 | 1172 | 243 | 24 | 77 |
| BVM5-16 | 5 | 1.15 | 3 | 208-230V/460V | 184TC | 696 | 354 | 225 | 67 | 1116 | 225 | 26 | 57 | 699 | 354 | 225 | 67 | 1119 | 225 | 24 | 54 |
| BVM5-18 | 7.5 | 1.15 | 1 | 208-230V | 213TC | 747 | 394 | 220 | 79 | 1220 | 220 | 27 | 80 | 747 | 394 | 220 | 79 | 1220 | 220 | 25 | 78 |
| BVM5-18 | 7.5 | 1.15 | 3 | 208-230V/460V | 213TC | 747 | 395 | 243 | 79 | 1221 | 243 | 27 | 72 | 747 | 395 | 243 | 79 | 1221 | 243 | 25 | 69 |
| BVM5-20 | 7.5 | 1.15 | 1 | 208-230V | 213TC | 800 | 394 | 220 | 79 | 1273 | 220 | 28 | 82 | 803 | 394 | 220 | 79 | 1276 | 220 | 26 | 79 |
| BVM5-20 | 7.5 | 1.15 | 3 | 208-230V/460V | 213TC | 546 | 395 | 243 | 79 | 1020 | 243 | 28 | 73 | 803 | 395 | 243 | 79 | 1277 | 243 | 26 | 70 |
| BVM5-22 | 7.5 | 1.15 | 1 | 208-230V | 213TC | 853 | 394 | 220 | 79 | 1327 | 220 | 30 | 83 | 859 | 394 | 220 | 79 | 1332 | 220 | 27 | 80 |
| BVM5-22 | 7.5 | 1.15 | 3 | 208-230V/460V | 213TC | 853 | 395 | 243 | 79 | 1328 | 243 | 30 | 74 | 859 | 395 | 243 | 79 | 1333 | 243 | 27 | 72 |
| BVM5-24 | 7.5 | 1.15 | 1 | 208-230V | 213TC | 907 | 394 | 220 | 79 | 1380 | 220 | 31 | 84 | 912 | 394 | 220 | 79 | 1385 | 220 | 28 | 81 |
| BVM5-24 | 7.5 | 1.15 | 3 | 208-230V/460V | 213TC | 907 | 395 | 243 | 79 | 1381 | 243 | 31 | 75 | 912 | 395 | 243 | 79 | 1386 | 243 | 28 | 73 |

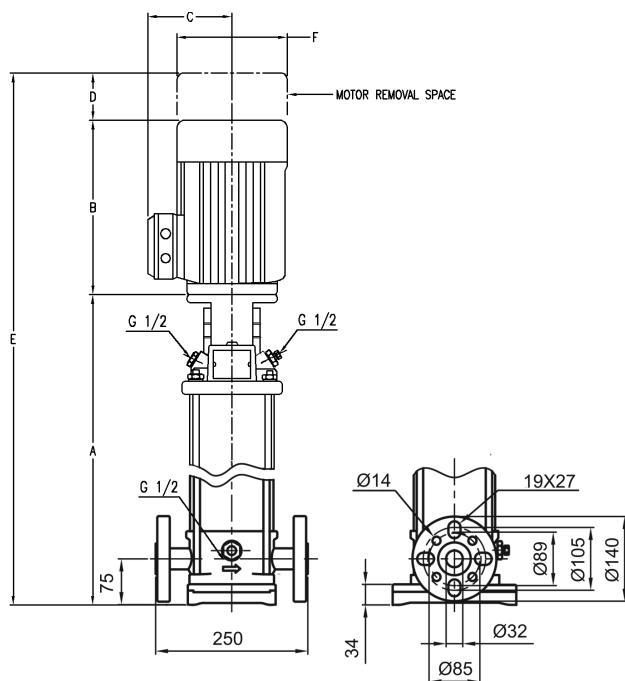
DIMENSION TABLES

BVM

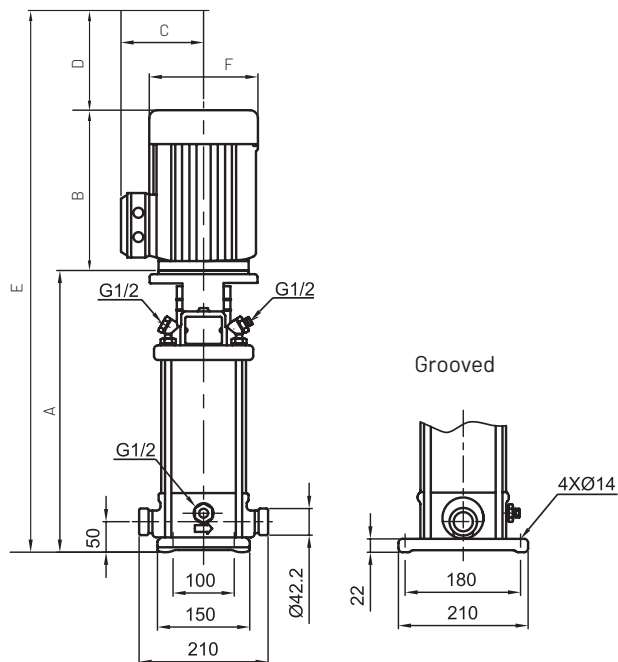


Dual 1-1/4" NPT / 1-1/4" ANSI 250# Flanges

BVMI/BVMX



ANSI 250# Flanges



Grooved

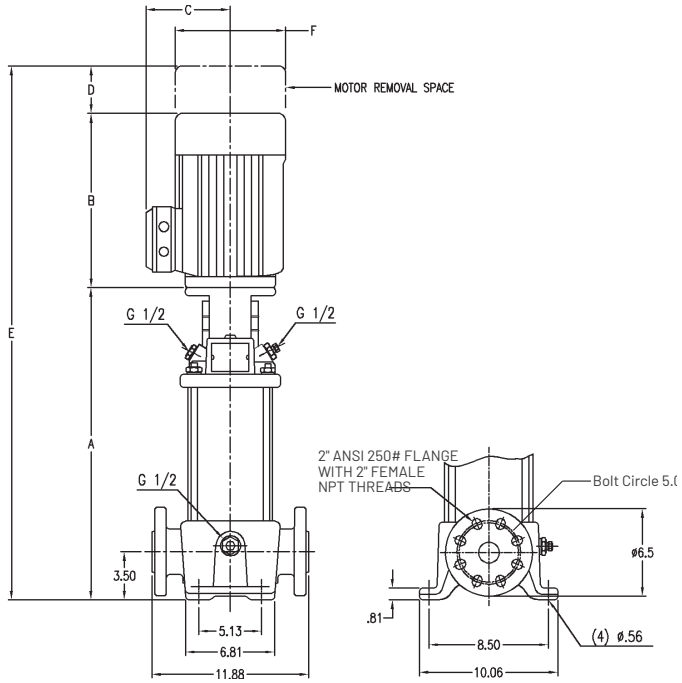
DIMENSION TABLES

| MODEL NUMBER | MOTOR HP | MOTOR SERVICE FACTOR | PHASE | VOLTAGE | MOTOR FRAME | BVM CAST IRON | | | | | | | | BVM/BVMX STAINLESS STEEL | | | | | | | |
|--------------|----------|----------------------|-------|---------------|-------------|----------------------|------|------|-----|------|------|---------------|--------------|--------------------------|------|------|-----|------|------|---------------|--------------|
| | | | | | | DIMENSIONS IN INCHES | | | | | | WEIGHT IN LBS | | DIMENSIONS IN INCHES | | | | | | WEIGHT IN LBS | |
| | | | | | | A | B | C | D | E | F | PUMP END ONLY | PUMP & MOTOR | A | B | C | D | E | F | PUMP END ONLY | PUMP & MOTOR |
| BVM10-1 | 0.75 | 1.25 | 1 | 115V/208-230V | 56C | 13.7 | 9.9 | 6.0 | 2.1 | 25.7 | 6.0 | 61 | 90 | 14.1 | 9.9 | 6.0 | 2.1 | 26.1 | 6.0 | 50 | 79 |
| BVM10-1 | 0.75 | 1.25 | 3 | 208-230V/460V | 56C | 13.7 | 10.2 | 6.6 | 2.1 | 25.9 | 6.6 | 61 | 91 | 14.1 | 10.2 | 6.6 | 2.1 | 26.3 | 6.6 | 50 | 80 |
| BVM10-2 | 1.5 | 1.15 | 1 | 115V/208-230V | 56C | 14.3 | 11.2 | 7.2 | 2.1 | 27.5 | 7.2 | 67 | 113 | 14.7 | 11.2 | 7.2 | 2.1 | 27.9 | 7.2 | 56 | 102 |
| BVM10-2 | 1.5 | 1.15 | 3 | 208-230V/460V | 56C | 14.3 | 11.2 | 7.2 | 2.1 | 27.5 | 7.2 | 67 | 109 | 14.7 | 11.2 | 7.2 | 2.1 | 27.9 | 7.2 | 56 | 98 |
| BVM10-3 | 3 | 1.15 | 1 | 115V/208-230V | 182TC | 16.0 | 15.4 | 8.9 | 2.6 | 34.0 | 8.9 | 74 | 162 | 16.4 | 15.4 | 8.7 | 2.6 | 34.4 | 8.7 | 63 | 151 |
| BVM10-3 | 3 | 1.15 | 3 | 208-230V/460V | 182TC | 16.0 | 13.9 | 8.9 | 2.6 | 32.6 | 8.9 | 74 | 142 | 16.4 | 13.9 | 8.7 | 2.6 | 33.0 | 8.7 | 63 | 131 |
| BVM10-4 | 3 | 1.15 | 1 | 115V/208-230V | 182TC | 17.4 | 15.4 | 8.9 | 2.6 | 35.4 | 8.9 | 80 | 168 | 17.7 | 15.4 | 8.7 | 2.6 | 35.7 | 8.7 | 69 | 157 |
| BVM10-4 | 3 | 1.15 | 3 | 208-230V/460V | 182TC | 17.4 | 13.9 | 8.9 | 2.6 | 34.0 | 8.9 | 80 | 148 | 17.7 | 13.9 | 8.7 | 2.6 | 34.3 | 8.7 | 69 | 137 |
| BVM10-5 | 5 | 1.15 | 1 | 208-230V | 213TC | 18.5 | 15.5 | 9.6 | 3.1 | 37.1 | 9.6 | 86 | 203 | 18.9 | 15.5 | 9.6 | 3.1 | 37.5 | 9.6 | 75 | 192 |
| BVM10-5 | 5 | 1.15 | 3 | 208-230V/460V | 184TC | 18.5 | 13.9 | 8.9 | 2.6 | 35.1 | 8.9 | 86 | 154 | 18.9 | 13.9 | 8.9 | 2.6 | 35.5 | 8.9 | 75 | 143 |
| BVM10-6 | 5 | 1.15 | 1 | 208-230V | 213TC | 19.7 | 15.5 | 9.6 | 3.1 | 38.3 | 9.6 | 92 | 209 | 20.1 | 15.5 | 9.6 | 3.1 | 38.7 | 9.6 | 81 | 198 |
| BVM10-6 | 5 | 1.15 | 3 | 208-230V/460V | 184TC | 19.7 | 13.9 | 8.9 | 2.6 | 36.3 | 8.9 | 92 | 160 | 20.1 | 13.9 | 8.9 | 2.6 | 36.7 | 8.9 | 81 | 149 |
| BVM10-7 | 7.5 | 1.15 | 1 | 208-230V | 213TC | 20.9 | 15.5 | 8.7 | 3.1 | 39.5 | 8.7 | 98 | 215 | 21.2 | 15.5 | 8.7 | 3.1 | 39.8 | 8.7 | 87 | 204 |
| BVM10-7 | 7.5 | 1.15 | 3 | 208-230V/460V | 213TC | 20.9 | 15.5 | 9.6 | 3.1 | 39.6 | 9.6 | 98 | 196 | 21.2 | 15.5 | 9.6 | 3.1 | 39.9 | 9.6 | 87 | 185 |
| BVM10-8 | 7.5 | 1.15 | 1 | 208-230V | 213TC | 22.0 | 15.5 | 8.7 | 3.1 | 40.6 | 8.7 | 104 | 221 | 22.4 | 15.5 | 8.7 | 3.1 | 41.0 | 8.7 | 93 | 210 |
| BVM10-8 | 7.5 | 1.15 | 3 | 208-230V/460V | 213TC | 22.0 | 15.5 | 9.6 | 3.1 | 40.7 | 9.6 | 104 | 202 | 22.4 | 15.5 | 9.6 | 3.1 | 41.1 | 9.6 | 93 | 191 |
| BVM10-9 | 7.5 | 1.15 | 1 | 208-230V | 213TC | 23.2 | 15.5 | 8.7 | 3.1 | 41.8 | 8.7 | 110 | 227 | 23.5 | 15.5 | 8.7 | 3.1 | 42.1 | 8.7 | 99 | 216 |
| BVM10-9 | 7.5 | 1.15 | 3 | 208-230V/460V | 213TC | 23.2 | 15.5 | 9.6 | 3.1 | 41.9 | 9.6 | 110 | 208 | 23.6 | 15.5 | 9.6 | 3.1 | 42.3 | 9.6 | 99 | 197 |
| BVM10-10 | 7.5 | 1.15 | 1 | 208-230V | 213TC | 24.4 | 15.5 | 8.7 | 3.1 | 43.0 | 8.7 | 116 | 233 | 24.8 | 15.5 | 8.7 | 3.1 | 43.4 | 8.7 | 105 | 222 |
| BVM10-10 | 7.5 | 1.15 | 3 | 208-230V/460V | 213TC | 24.4 | 15.5 | 9.6 | 3.1 | 43.1 | 9.6 | 116 | 214 | 24.8 | 15.5 | 9.6 | 3.1 | 43.5 | 9.6 | 105 | 203 |
| BVM10-12 | 10 | 1.15 | 1 | 208-230V | 215TC | 26.8 | 16.6 | 9.6 | 3.1 | 46.5 | 9.6 | 129 | 264 | 27.2 | 16.6 | 9.6 | 3.1 | 46.9 | 9.6 | 117 | 252 |
| BVM10-12 | 10 | 1.15 | 3 | 208-230V/460V | 215TC | 26.8 | 15.5 | 9.6 | 3.1 | 45.5 | 9.6 | 129 | 254 | 27.2 | 15.5 | 9.6 | 3.1 | 45.9 | 9.6 | 117 | 242 |
| BVM10-14 | 15 | 1.15 | 3 | 208-230V/460V | 254TC | 31.0 | 20.0 | 12.9 | 3.8 | 54.8 | 12.9 | 141 | 416 | 31.3 | 20.0 | 12.9 | 3.8 | 55.1 | 12.9 | 130 | 405 |
| BVM10-16 | 15 | 1.15 | 3 | 208-230V/460V | 254TC | 33.3 | 20.0 | 12.9 | 3.8 | 57.1 | 12.9 | 153 | 428 | 33.7 | 20.0 | 12.9 | 3.8 | 57.5 | 12.9 | 142 | 417 |

DIMENSION TABLES

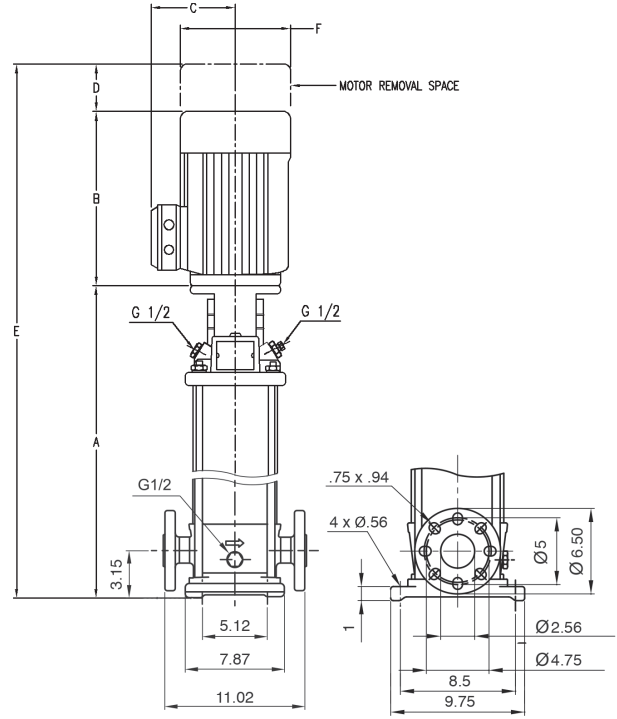
PUMP DIMENSIONS - STANDARD

BVM

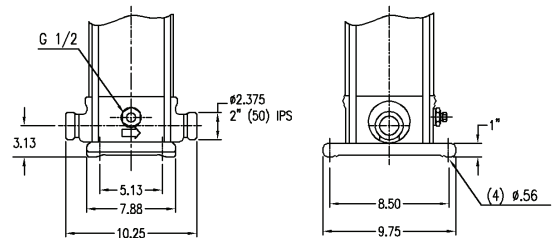


Dual 1-1/4" NPT / 1-1/4" ANSI 250# Flanges

BVMI/BVMX



ANSI 250# Flanges



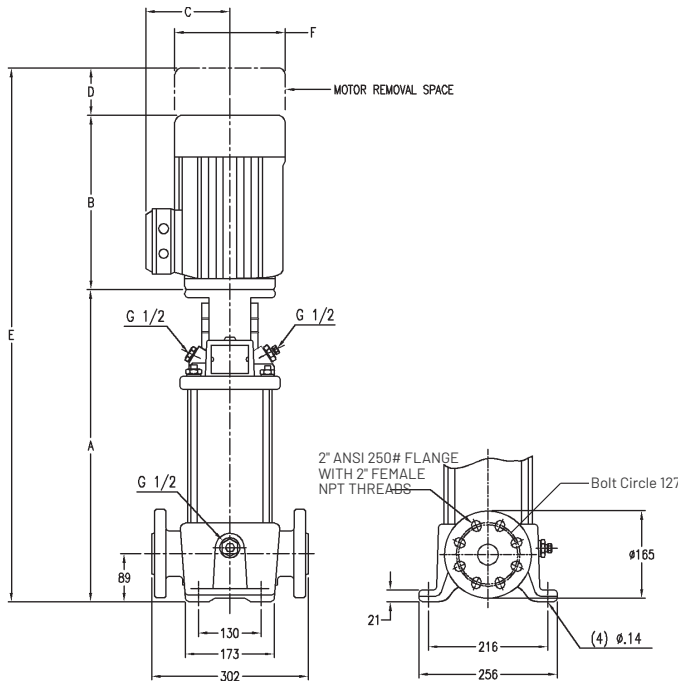
DIMENSION TABLES

PUMP DIMENSIONS – METRIC

| MODEL NUMBER | MOTOR HP | MOTOR SAFETY FACTOR | PHASE | VOLTAGE | MOTOR FRAME | BVM CAST IRON | | | | | | | | BVM/BVMX STAINLESS STEEL | | | | | | | |
|--------------|----------|---------------------|-------|---------------|-------------|------------------|-----|-----|----|------|-----|---------------|--------------|--------------------------|-----|-----|----|------|-----|---------------|--------------|
| | | | | | | DIMENSIONS IN MM | | | | | | WEIGHT IN KGS | | DIMENSIONS IN MM | | | | | | WEIGHT IN KGS | |
| | | | | | | A | B | C | D | E | F | PUMP END ONLY | PUMP & MOTOR | A | B | C | D | E | F | PUMP END ONLY | PUMP & MOTOR |
| BVM10-1 | 0.75 | 1.25 | 1 | 115V/208-230V | 56C | 348 | 252 | 153 | 52 | 652 | 153 | 28 | 41 | 358 | 252 | 153 | 52 | 662 | 153 | 23 | 36 |
| BVM10-1 | 0.75 | 1.25 | 3 | 208-230V/460V | 56C | 348 | 258 | 168 | 52 | 659 | 168 | 28 | 41 | 358 | 258 | 168 | 52 | 669 | 168 | 23 | 36 |
| BVM10-2 | 1.5 | 1.15 | 1 | 115V/208-230V | 56C | 363 | 283 | 182 | 52 | 699 | 182 | 30 | 51 | 373 | 283 | 182 | 52 | 709 | 182 | 25 | 46 |
| BVM10-2 | 1.5 | 1.15 | 3 | 208-230V/460V | 56C | 363 | 284 | 183 | 52 | 699 | 183 | 30 | 49 | 373 | 284 | 183 | 52 | 709 | 183 | 25 | 44 |
| BVM10-3 | 3 | 1.15 | 1 | 115V/208-230V | 182TC | 406 | 392 | 225 | 67 | 865 | 225 | 33 | 73 | 417 | 392 | 220 | 67 | 875 | 220 | 28 | 68 |
| BVM10-3 | 3 | 1.15 | 3 | 208-230V/460V | 182TC | 406 | 354 | 225 | 67 | 827 | 225 | 33 | 64 | 417 | 354 | 220 | 67 | 837 | 220 | 28 | 59 |
| BVM10-4 | 3 | 1.15 | 1 | 115V/208-230V | 182TC | 442 | 392 | 225 | 67 | 900 | 225 | 36 | 76 | 450 | 392 | 220 | 67 | 908 | 220 | 31 | 71 |
| BVM10-4 | 3 | 1.15 | 3 | 208-230V/460V | 182TC | 442 | 354 | 225 | 67 | 862 | 225 | 36 | 67 | 450 | 354 | 220 | 67 | 870 | 220 | 31 | 62 |
| BVM10-5 | 5 | 1.15 | 1 | 208-230V | 213TC | 470 | 394 | 243 | 79 | 943 | 243 | 39 | 92 | 480 | 394 | 243 | 79 | 953 | 243 | 34 | 87 |
| BVM10-5 | 5 | 1.15 | 3 | 208-230V/460V | 184TC | 470 | 354 | 225 | 67 | 890 | 225 | 39 | 70 | 480 | 354 | 225 | 67 | 901 | 225 | 34 | 65 |
| BVM10-6 | 5 | 1.15 | 1 | 208-230V | 213TC | 500 | 394 | 243 | 79 | 973 | 243 | 42 | 95 | 511 | 394 | 243 | 79 | 984 | 243 | 37 | 90 |
| BVM10-6 | 5 | 1.15 | 3 | 208-230V/460V | 184TC | 500 | 354 | 225 | 67 | 921 | 225 | 42 | 72 | 511 | 354 | 225 | 67 | 931 | 225 | 37 | 67 |
| BVM10-7 | 7.5 | 1.15 | 1 | 208-230V | 213TC | 531 | 394 | 220 | 79 | 1004 | 220 | 44 | 97 | 538 | 394 | 220 | 79 | 1012 | 220 | 39 | 92 |
| BVM10-7 | 7.5 | 1.15 | 3 | 208-230V/460V | 213TC | 531 | 395 | 243 | 79 | 1005 | 243 | 44 | 89 | 538 | 395 | 243 | 79 | 1013 | 243 | 39 | 84 |
| BVM10-8 | 7.5 | 1.15 | 1 | 208-230V | 213TC | 559 | 394 | 220 | 79 | 1032 | 220 | 47 | 100 | 569 | 394 | 220 | 79 | 1042 | 220 | 42 | 95 |
| BVM10-8 | 7.5 | 1.15 | 3 | 208-230V/460V | 213TC | 559 | 395 | 243 | 79 | 1033 | 243 | 47 | 91 | 569 | 395 | 243 | 79 | 1043 | 243 | 42 | 86 |
| BVM10-9 | 7.5 | 1.15 | 1 | 208-230V | 213TC | 589 | 394 | 220 | 79 | 1062 | 220 | 50 | 103 | 597 | 394 | 220 | 79 | 1070 | 220 | 45 | 98 |
| BVM10-9 | 7.5 | 1.15 | 3 | 208-230V/460V | 213TC | 589 | 395 | 243 | 79 | 1063 | 243 | 50 | 94 | 599 | 395 | 243 | 79 | 1074 | 243 | 45 | 89 |
| BVM10-10 | 7.5 | 1.15 | 1 | 208-230V | 213TC | 620 | 394 | 220 | 79 | 1093 | 220 | 52 | 106 | 630 | 394 | 220 | 79 | 1103 | 220 | 47 | 100 |
| BVM10-10 | 7.5 | 1.15 | 3 | 208-230V/460V | 213TC | 620 | 395 | 243 | 79 | 1094 | 243 | 52 | 97 | 630 | 395 | 243 | 79 | 1104 | 243 | 47 | 92 |
| BVM10-12 | 10 | 1.15 | 1 | 208-230V | 215TC | 681 | 422 | 243 | 79 | 1182 | 243 | 58 | 120 | 691 | 422 | 243 | 79 | 1192 | 243 | 53 | 114 |
| BVM10-12 | 10 | 1.15 | 3 | 208-230V/460V | 215TC | 681 | 394 | 243 | 79 | 1155 | 243 | 58 | 115 | 691 | 394 | 243 | 79 | 1165 | 243 | 53 | 110 |
| BVM10-14 | 15 | 1.15 | 3 | 208-230V/460V | 254TC | 787 | 509 | 329 | 95 | 1391 | 329 | 64 | 189 | 795 | 509 | 329 | 95 | 1399 | 329 | 59 | 184 |
| BVM10-16 | 15 | 1.15 | 3 | 208-230V/460V | 254TC | 846 | 509 | 329 | 95 | 1450 | 329 | 69 | 194 | 856 | 509 | 329 | 95 | 1460 | 329 | 64 | 189 |

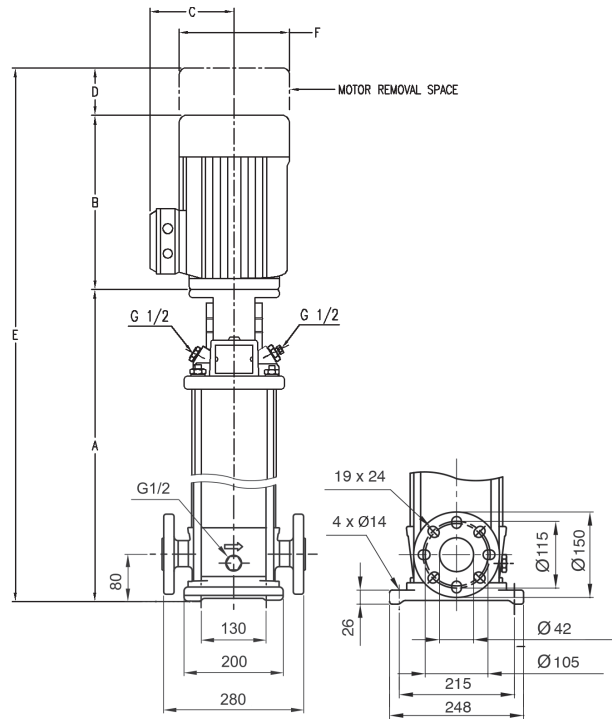
DIMENSION TABLES

BVM

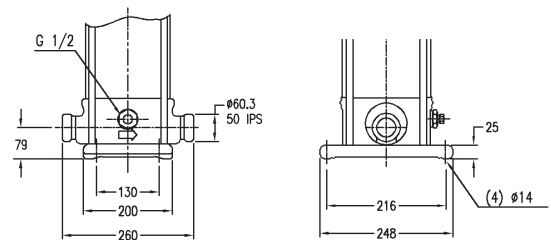


Dual 1-1/4" NPT / 1-1/4" ANSI 250# Flanges

BVMI/BVMX

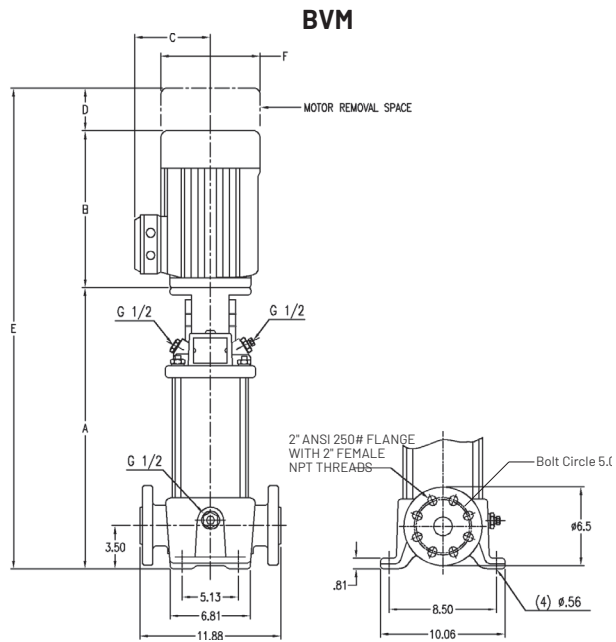


ANSI 250# Flanges

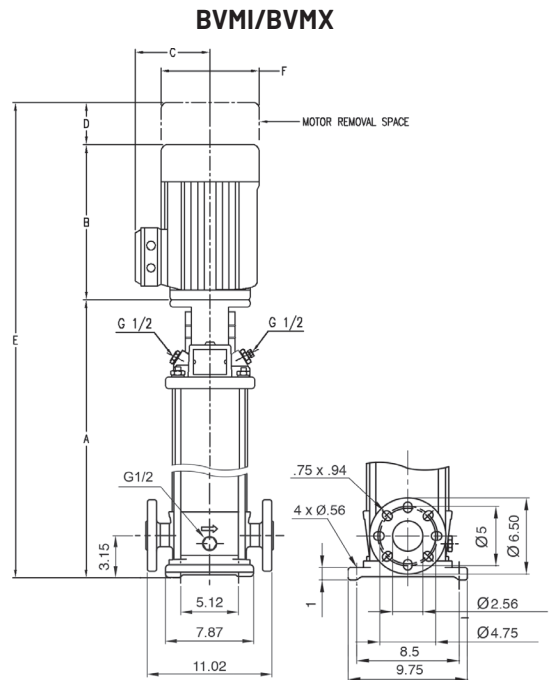


DIMENSION TABLES

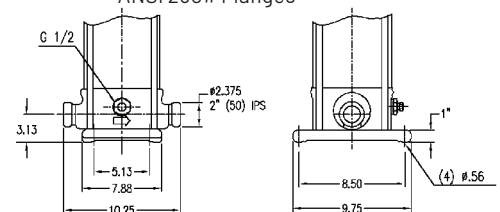
| MODEL NUMBER | MOTOR HP | MOTOR SAFETY FACTOR | PHASE | VOLTAGE | MOTOR FRAME | BVM CAST IRON | | | | | | | BVM/BVMX STAINLESS STEEL | | | | | | | | |
|--------------|----------|---------------------|-------|---------------|-------------|----------------------|------|------|-----|------|------|---------------|--------------------------|----------------------|------|------|-----|------|------|---------------|--------------|
| | | | | | | DIMENSIONS IN INCHES | | | | | | WEIGHT IN LBS | | DIMENSIONS IN INCHES | | | | | | WEIGHT IN LBS | |
| | | | | | | A | B | C | D | E | F | PUMP END ONLY | PUMP & MOTOR | A | B | C | D | E | F | PUMP END ONLY | PUMP & MOTOR |
| BVM15-1 | 2 | 1.15 | 1 | 115V/208-230V | 56C | 16.3 | 12.1 | 7.2 | 2.1 | 30.4 | 7.2 | 65 | 118 | 16.3 | 12.1 | 7.2 | 2.1 | 30.4 | 7.2 | 54 | 107 |
| BVM15-1 | 2 | 1.15 | 3 | 208-230V/460V | 56C | 16.3 | 12.1 | 7.2 | 2.1 | 30.4 | 7.2 | 65 | 114 | 16.3 | 12.1 | 7.2 | 2.1 | 30.4 | 7.2 | 54 | 103 |
| BVM15-2 | 5 | 1.15 | 1 | 208-230V | 213TC | 17.0 | 15.5 | 9.6 | 3.1 | 35.6 | 9.6 | 76 | 193 | 17.0 | 15.5 | 9.6 | 3.1 | 35.6 | 9.6 | 65 | 182 |
| BVM15-2 | 5 | 1.15 | 3 | 208-230V/460V | 184TC | 17.0 | 13.9 | 8.9 | 2.6 | 33.6 | 8.9 | 76 | 144 | 17.0 | 13.9 | 8.9 | 2.6 | 33.6 | 8.9 | 65 | 133 |
| BVM15-3 | 7.5 | 1.15 | 1 | 208-230V | 213TC | 17.4 | 15.5 | 8.7 | 3.1 | 36.0 | 8.7 | 86 | 203 | 17.3 | 15.5 | 8.7 | 3.1 | 35.9 | 8.7 | 75 | 192 |
| BVM15-3 | 7.5 | 1.15 | 3 | 208-230V/460V | 213TC | 17.4 | 15.5 | 9.6 | 3.1 | 36.1 | 9.6 | 86 | 184 | 17.3 | 15.5 | 9.6 | 3.1 | 36.0 | 9.6 | 75 | 173 |
| BVM15-4 | 7.5 | 1.15 | 1 | 208-230V | 213TC | 20.5 | 15.5 | 8.7 | 3.1 | 39.1 | 8.7 | 96 | 213 | 19.1 | 15.5 | 8.7 | 3.1 | 37.7 | 8.7 | 85 | 202 |
| BVM15-4 | 7.5 | 1.15 | 3 | 208-230V/460V | 213TC | 20.5 | 15.5 | 9.6 | 3.1 | 39.2 | 9.6 | 96 | 194 | 19.1 | 15.5 | 9.6 | 3.1 | 37.8 | 9.6 | 85 | 183 |
| BVM15-5 | 10 | 1.15 | 1 | 208-230V | 215TC | 22.3 | 16.6 | 9.6 | 3.1 | 42.0 | 9.6 | 106 | 241 | 22.2 | 16.6 | 9.6 | 3.1 | 41.9 | 9.6 | 95 | 230 |
| BVM15-5 | 10 | 1.15 | 3 | 208-230V/460V | 215TC | 22.3 | 15.5 | 9.6 | 3.1 | 41.0 | 9.6 | 106 | 231 | 22.2 | 15.5 | 9.6 | 3.1 | 40.9 | 9.6 | 95 | 220 |
| BVM15-6 | 15 | 1.15 | 3 | 208-230V/460V | 254TC | 25.9 | 20.0 | 12.9 | 3.8 | 49.7 | 12.9 | 117 | 392 | 25.8 | 20.0 | 12.9 | 3.8 | 49.6 | 12.9 | 106 | 381 |
| BVM15-7 | 15 | 1.15 | 3 | 208-230V/460V | 254TC | 27.7 | 20.0 | 12.9 | 3.8 | 51.5 | 12.9 | 127 | 402 | 27.6 | 20.0 | 12.9 | 3.8 | 51.4 | 12.9 | 116 | 391 |
| BVM15-8 | 15 | 1.15 | 3 | 208-230V/460V | 254TC | 29.5 | 20.0 | 12.9 | 3.8 | 53.3 | 12.9 | 137 | 412 | 29.4 | 20.0 | 12.9 | 3.8 | 53.2 | 12.9 | 126 | 401 |
| BVM15-9 | 20 | 1.15 | 3 | 230V/460V | 254TC | 31.2 | 16.9 | 10.3 | 3.8 | 51.8 | 10.3 | 147 | 372 | 31.1 | 16.9 | 10.3 | 3.8 | 51.7 | 10.3 | 136 | 361 |
| BVM15-10 | 20 | 1.15 | 3 | 230V/460V | 254TC | 33.0 | 16.9 | 10.3 | 3.8 | 53.6 | 10.3 | 157 | 382 | 32.9 | 16.9 | 10.3 | 3.8 | 53.5 | 10.3 | 146 | 371 |
| BVM15-12 | 25 | 1.15 | 3 | 230V/460V | 284TSC | 38.5 | 20.0 | 12.9 | 3.0 | 61.5 | 12.9 | 177 | 498 | 38.4 | 20.0 | 12.9 | 3.0 | 61.4 | 12.9 | 166 | 487 |



Dual 1-1/4" NPT / 1-1/4" ANSI 250# Flanges

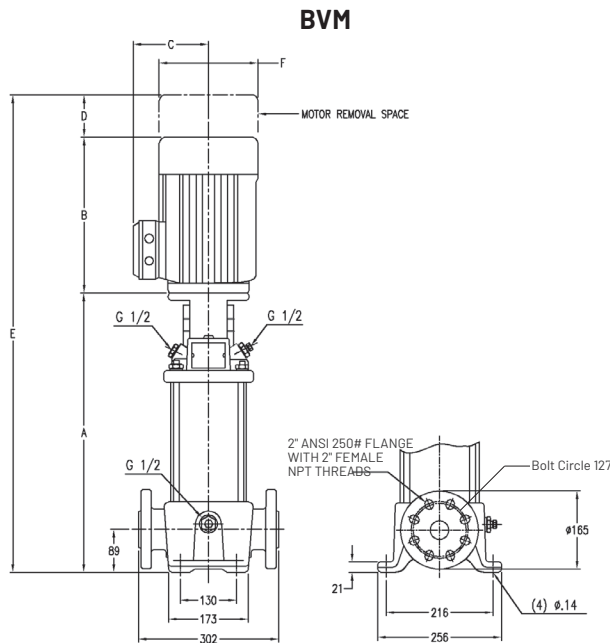


ANSI 250# Flanges

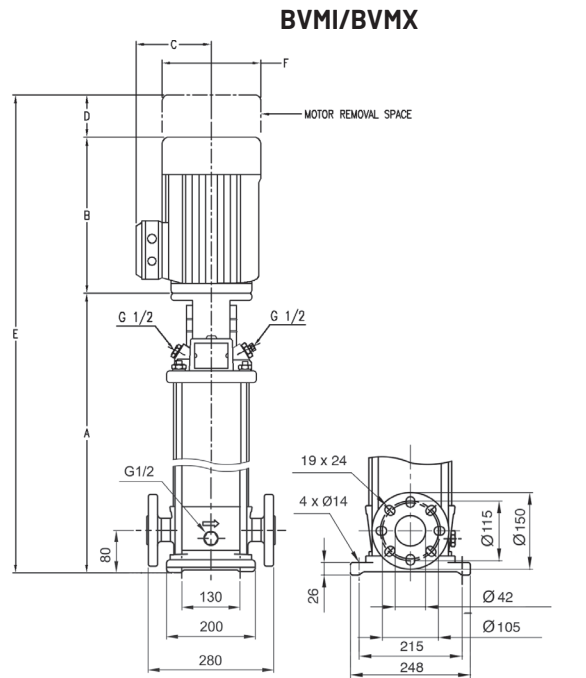


DIMENSION TABLES

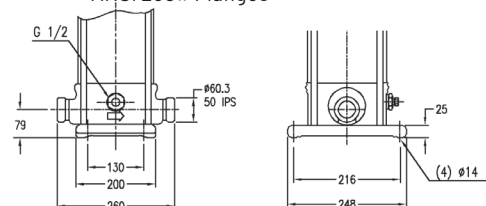
| MODEL NUMBER | MOTOR HP | MOTOR SAFETY FACTOR | PHASE | VOLTAGE | MOTOR FRAME | BVM CAST IRON | | | | | | | | BVMI/BVMX STAINLESS STEEL | | | | | | | |
|--------------|----------|---------------------|-------|---------------|-------------|------------------|-----|-----|----|------|-----|---------------|--------------|---------------------------|-----|-----|----|------|-----|---------------|--------------|
| | | | | | | DIMENSIONS IN MM | | | | | | WEIGHT IN KGS | | DIMENSIONS IN MM | | | | | | WEIGHT IN KGS | |
| | | | | | | A | B | C | D | E | F | PUMP END ONLY | PUMP & MOTOR | A | B | C | D | E | F | PUMP END ONLY | PUMP & MOTOR |
| BVM15-1 | 2 | 1.15 | 1 | 115V/208-230V | 56C | 414 | 306 | 182 | 52 | 772 | 182 | 29 | 54 | 414 | 306 | 182 | 52 | 772 | 182 | 24 | 48 |
| BVM15-1 | 2 | 1.15 | 3 | 208-230V/460V | 56C | 414 | 306 | 183 | 52 | 772 | 183 | 29 | 52 | 414 | 306 | 183 | 52 | 772 | 183 | 24 | 47 |
| BVM15-2 | 5 | 1.15 | 1 | 208-230V | 213TC | 432 | 394 | 243 | 79 | 905 | 243 | 34 | 87 | 432 | 394 | 243 | 79 | 905 | 243 | 29 | 82 |
| BVM15-2 | 5 | 1.15 | 3 | 208-230V/460V | 184TC | 432 | 354 | 225 | 67 | 852 | 225 | 34 | 65 | 432 | 354 | 225 | 67 | 852 | 225 | 29 | 60 |
| BVM15-3 | 7.5 | 1.15 | 1 | 208-230V | 213TC | 442 | 394 | 220 | 79 | 915 | 220 | 39 | 92 | 439 | 394 | 220 | 79 | 912 | 220 | 34 | 87 |
| BVM15-3 | 7.5 | 1.15 | 3 | 208-230V/460V | 213TC | 442 | 395 | 243 | 79 | 916 | 243 | 39 | 83 | 439 | 395 | 243 | 79 | 914 | 243 | 34 | 78 |
| BVM15-4 | 7.5 | 1.15 | 1 | 208-230V | 213TC | 521 | 394 | 220 | 79 | 994 | 220 | 43 | 96 | 485 | 394 | 220 | 79 | 958 | 220 | 38 | 91 |
| BVM15-4 | 7.5 | 1.15 | 3 | 208-230V/460V | 213TC | 521 | 395 | 243 | 79 | 995 | 243 | 43 | 88 | 485 | 395 | 243 | 79 | 959 | 243 | 38 | 83 |
| BVM15-5 | 10 | 1.15 | 1 | 208-230V | 215TC | 566 | 422 | 243 | 79 | 1068 | 243 | 48 | 109 | 564 | 422 | 243 | 79 | 1065 | 243 | 43 | 104 |
| BVM15-5 | 10 | 1.15 | 3 | 208-230V/460V | 215TC | 566 | 394 | 243 | 79 | 1040 | 243 | 48 | 105 | 564 | 394 | 243 | 79 | 1038 | 243 | 43 | 100 |
| BVM15-6 | 15 | 1.15 | 3 | 208-230V/460V | 254TC | 658 | 509 | 329 | 95 | 1262 | 329 | 53 | 178 | 655 | 509 | 329 | 95 | 1259 | 329 | 48 | 173 |
| BVM15-7 | 15 | 1.15 | 3 | 208-230V/460V | 254TC | 704 | 509 | 329 | 95 | 1308 | 329 | 58 | 182 | 701 | 509 | 329 | 95 | 1305 | 329 | 53 | 177 |
| BVM15-8 | 15 | 1.15 | 3 | 208-230V/460V | 254TC | 749 | 509 | 329 | 95 | 1353 | 329 | 62 | 187 | 747 | 509 | 329 | 95 | 1351 | 329 | 57 | 182 |
| BVM15-9 | 20 | 1.15 | 3 | 230V/460V | 254TC | 792 | 428 | 263 | 95 | 1316 | 263 | 67 | 169 | 790 | 428 | 263 | 95 | 1313 | 263 | 62 | 164 |
| BVM15-10 | 20 | 1.15 | 3 | 230V/460V | 254TC | 838 | 428 | 263 | 95 | 1362 | 263 | 71 | 173 | 836 | 428 | 263 | 95 | 1359 | 263 | 66 | 168 |
| BVM15-12 | 25 | 1.15 | 3 | 230V/460V | 284TSC | 978 | 507 | 329 | 76 | 1561 | 329 | 80 | 226 | 975 | 507 | 329 | 76 | 1559 | 329 | 75 | 221 |



Dual 1-1/4" NPT / 1-1/4" ANSI 250# Flanges



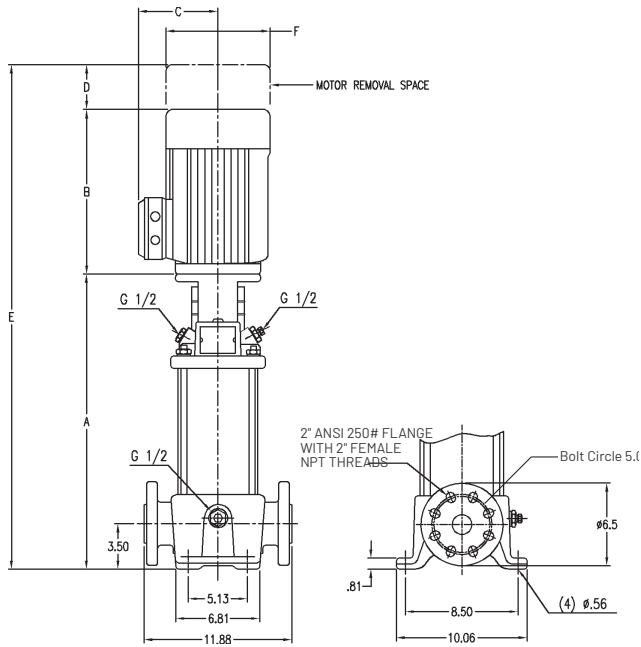
ANSI 250# Flanges



DIMENSION TABLES

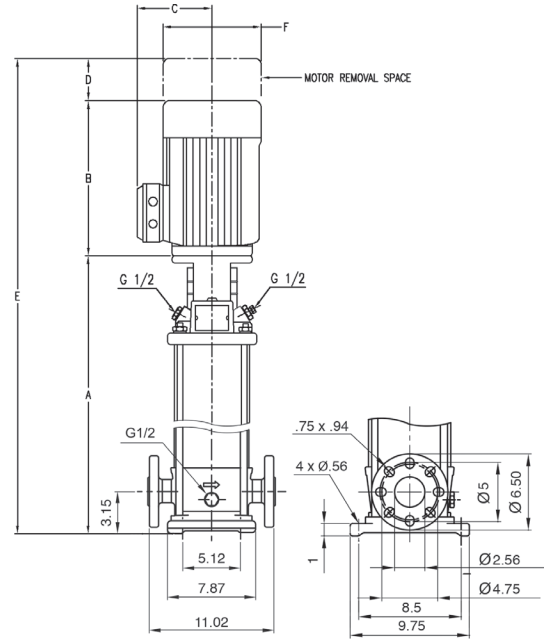
| MODEL NUMBER | MOTOR HP | MOTOR SERVICE FACTOR | PHASE | VOLTAGE | MOTOR FRAME | BVM CAST IRON | | | | | | | | BVM/BVMX STAINLESS STEEL | | | | | | | |
|--------------|----------|----------------------|-------|---------------|-------------|----------------------|------|------|-----|------|------|---------------|--------------|--------------------------|------|------|-----|------|------|---------------|--------------|
| | | | | | | DIMENSIONS IN INCHES | | | | | | WEIGHT IN LBS | | DIMENSIONS IN INCHES | | | | | | WEIGHT IN LBS | |
| | | | | | | A | B | C | D | E | F | PUMP END ONLY | PUMP & MOTOR | A | B | C | D | E | F | PUMP END ONLY | PUMP & MOTOR |
| BVM20-1 | 3 | 1.15 | 1 | 115V/208-230V | 182TC | 16.8 | 15.4 | 8.9 | 2.6 | 34.8 | 8.9 | 66 | 154 | 16.8 | 15.4 | 8.7 | 2.6 | 34.8 | 8.7 | 55 | 143 |
| BVM20-1 | 3 | 1.15 | 3 | 208-230V/460V | 182TC | 16.8 | 13.9 | 8.9 | 2.6 | 33.4 | 8.9 | 66 | 134 | 16.8 | 13.9 | 8.7 | 2.6 | 33.4 | 8.7 | 55 | 123 |
| BVM20-2 | 5 | 1.15 | 1 | 208-230V | 213TC | 17.0 | 15.5 | 9.6 | 3.1 | 35.6 | 9.6 | 76 | 193 | 17.0 | 15.5 | 9.6 | 3.1 | 35.6 | 9.6 | 65 | 182 |
| BVM20-2 | 5 | 1.15 | 3 | 208-230V/460V | 184TC | 17.0 | 13.9 | 8.9 | 2.6 | 33.6 | 8.9 | 76 | 144 | 17.0 | 13.9 | 8.9 | 2.6 | 33.6 | 8.9 | 65 | 133 |
| BVM20-3 | 7.5 | 1.15 | 1 | 208-230V | 213TC | 18.8 | 15.5 | 8.7 | 3.1 | 37.4 | 8.7 | 86 | 203 | 18.8 | 15.5 | 8.7 | 3.1 | 37.4 | 8.7 | 75 | 192 |
| BVM20-3 | 7.5 | 1.15 | 3 | 208-230V/460V | 213TC | 18.8 | 15.5 | 9.6 | 3.1 | 37.5 | 9.6 | 86 | 184 | 18.8 | 15.5 | 9.6 | 3.1 | 37.5 | 9.6 | 75 | 173 |
| BVM20-4 | 10 | 1.15 | 1 | 208-230V | 215TC | 20.5 | 16.6 | 9.6 | 3.1 | 40.2 | 9.6 | 96 | 231 | 20.5 | 16.6 | 9.6 | 3.1 | 40.2 | 9.6 | 85 | 220 |
| BVM20-4 | 10 | 1.15 | 3 | 208-230V/460V | 215TC | 20.5 | 15.5 | 9.6 | 3.1 | 39.2 | 9.6 | 96 | 221 | 20.5 | 15.5 | 9.6 | 3.1 | 39.2 | 9.6 | 85 | 210 |
| BVM20-5 | 15 | 1.15 | 3 | 208-230V/460V | 254TC | 24.1 | 20.0 | 12.9 | 3.8 | 47.9 | 12.9 | 107 | 382 | 24.1 | 20.0 | 12.9 | 3.8 | 47.9 | 12.9 | 96 | 371 |
| BVM20-6 | 15 | 1.15 | 3 | 208-230V/460V | 254TC | 25.9 | 20.0 | 12.9 | 3.8 | 49.7 | 12.9 | 117 | 392 | 25.9 | 20.0 | 12.9 | 3.8 | 49.7 | 12.9 | 106 | 381 |
| BVM20-7 | 20 | 1.15 | 3 | 230V/460V | 254TC | 27.7 | 16.9 | 10.3 | 3.8 | 48.3 | 10.3 | 127 | 352 | 27.7 | 16.9 | 10.3 | 3.8 | 48.3 | 10.3 | 116 | 341 |
| BVM20-8 | 20 | 1.15 | 3 | 230V/460V | 254TC | 29.5 | 16.9 | 10.3 | 3.8 | 50.1 | 10.3 | 137 | 362 | 29.5 | 16.9 | 10.3 | 3.8 | 50.1 | 10.3 | 126 | 351 |
| BVM20-10 | 25 | 1.15 | 3 | 230V/460V | 284TSC | 35.0 | 20.0 | 12.9 | 3.0 | 58.0 | 12.9 | 157 | 478 | 35.0 | 20.0 | 12.9 | 3.0 | 58.0 | 12.9 | 146 | 467 |

BVM

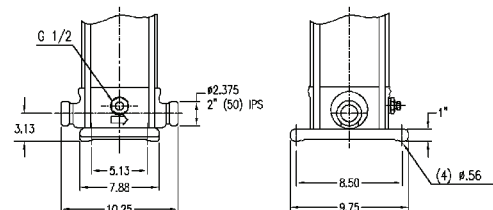


Dual 1-1/4" NPT / 1-1/4" ANSI 250# Flanges

BVM/BVMX

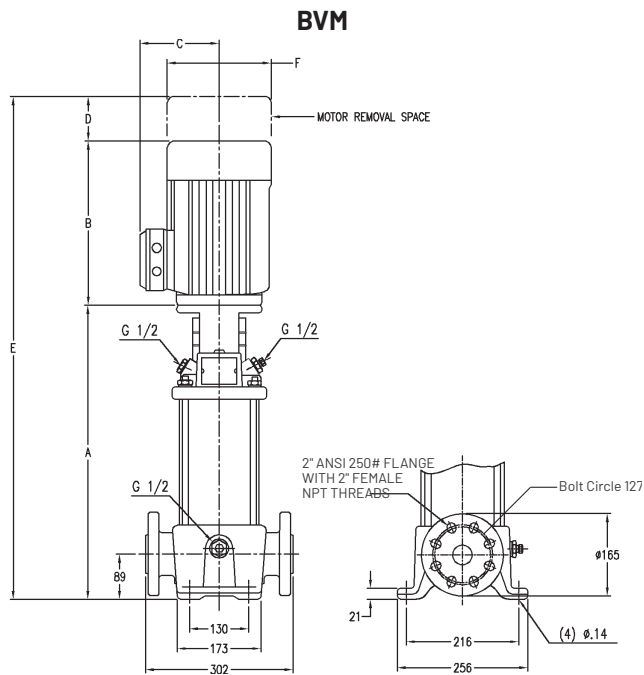


ANSI 250# Flanges

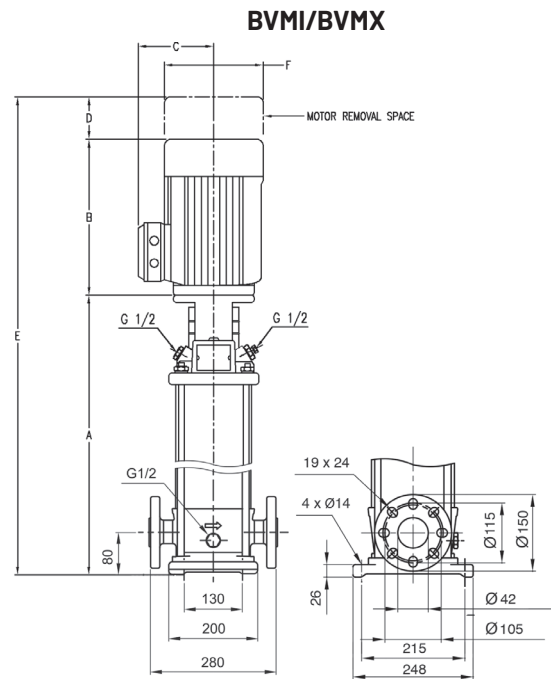


DIMENSION TABLES

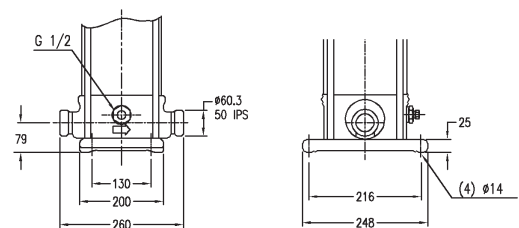
| MODEL NUMBER | MOTOR HP | MOTOR SAFETY FACTOR | PHASE | VOLTAGE | MOTOR FRAME | BVM CAST IRON | | | | | | | BVM/BVMX STAINLESS STEEL | | | | | | | | |
|--------------|----------|---------------------|-------|---------------|-------------|------------------|-----|-----|----|------|-----|---------------|--------------------------|------------------|-----|-----|----|------|-----|---------------|--------------|
| | | | | | | DIMENSIONS IN MM | | | | | | WEIGHT IN KGS | | DIMENSIONS IN MM | | | | | | WEIGHT IN KGS | |
| | | | | | | A | B | C | D | E | F | PUMP END ONLY | PUMP & MOTOR | A | B | C | D | E | F | PUMP END ONLY | PUMP & MOTOR |
| BVM20-1 | 3 | 1.15 | 1 | 115V/208-230V | 182TC | 427 | 392 | 225 | 67 | 885 | 225 | 30 | 70 | 427 | 392 | 220 | 67 | 885 | 220 | 25 | 65 |
| BVM20-1 | 3 | 1.15 | 3 | 208-230V/460V | 182TC | 427 | 354 | 225 | 67 | 847 | 225 | 30 | 61 | 427 | 354 | 220 | 67 | 847 | 220 | 25 | 56 |
| BVM20-2 | 5 | 1.15 | 1 | 208-230V | 213TC | 432 | 394 | 243 | 79 | 905 | 243 | 34 | 87 | 432 | 394 | 243 | 79 | 905 | 243 | 29 | 82 |
| BVM20-2 | 5 | 1.15 | 3 | 208-230V/460V | 184TC | 432 | 354 | 225 | 67 | 852 | 225 | 34 | 65 | 432 | 354 | 225 | 67 | 852 | 225 | 29 | 60 |
| BVM20-3 | 7.5 | 1.15 | 1 | 208-230V | 213TC | 478 | 394 | 220 | 79 | 951 | 220 | 39 | 92 | 478 | 394 | 220 | 79 | 951 | 220 | 34 | 87 |
| BVM20-3 | 7.5 | 1.15 | 3 | 208-230V/460V | 213TC | 478 | 395 | 243 | 79 | 952 | 243 | 39 | 83 | 478 | 395 | 243 | 79 | 952 | 243 | 34 | 78 |
| BVM20-4 | 10 | 1.15 | 1 | 208-230V | 215TC | 521 | 422 | 243 | 79 | 1022 | 243 | 43 | 105 | 521 | 422 | 243 | 79 | 1022 | 243 | 38 | 100 |
| BVM20-4 | 10 | 1.15 | 3 | 208-230V/460V | 215TC | 521 | 394 | 243 | 79 | 995 | 243 | 43 | 100 | 521 | 394 | 243 | 79 | 995 | 243 | 38 | 95 |
| BVM20-5 | 15 | 1.15 | 3 | 208-230V/460V | 254TC | 612 | 509 | 329 | 95 | 1216 | 329 | 49 | 173 | 612 | 509 | 329 | 95 | 1216 | 329 | 43 | 168 |
| BVM20-6 | 15 | 1.15 | 3 | 208-230V/460V | 254TC | 658 | 509 | 329 | 95 | 1262 | 329 | 53 | 178 | 658 | 509 | 329 | 95 | 1262 | 329 | 48 | 173 |
| BVM20-7 | 20 | 1.15 | 3 | 230V/460V | 254TC | 704 | 428 | 263 | 95 | 1227 | 263 | 58 | 160 | 704 | 428 | 263 | 95 | 1227 | 263 | 53 | 155 |
| BVM20-8 | 20 | 1.15 | 3 | 230V/460V | 254TC | 749 | 428 | 263 | 95 | 1273 | 263 | 62 | 164 | 749 | 428 | 263 | 95 | 1273 | 263 | 57 | 159 |
| BVM20-10 | 25 | 1.15 | 3 | 230V/460V | 284TSC | 889 | 507 | 329 | 76 | 1472 | 329 | 71 | 217 | 889 | 507 | 329 | 76 | 1472 | 329 | 66 | 212 |



Dual 1-1/4" NPT / 1-1/4" ANSI 250# Flanges



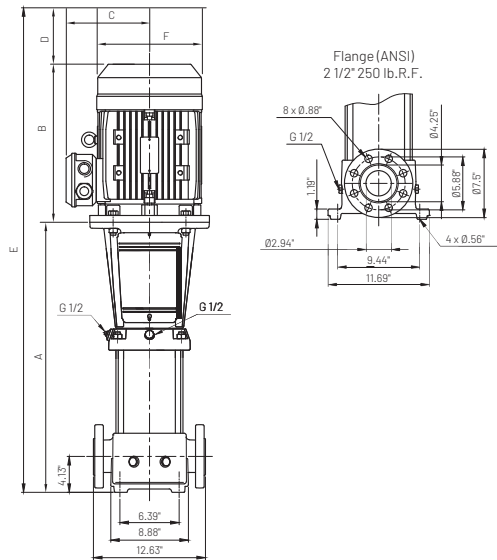
ANSI 250# Flanges



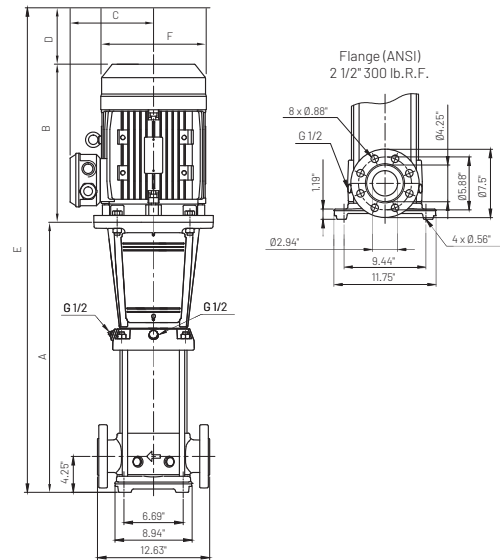
DIMENSION TABLES

| MODEL NUMBER | MOTOR HP | MOTOR SERVICE FACTOR | PHASE | VOLTAGE | MOTOR FRAME | BVM CAST IRON | | | | | | | | BVM1/BVMX STAINLESS STEEL | | | | | | | |
|--------------|----------|----------------------|-------|---------------|-------------|----------------------|------|------|-----|------|------|---------------|--------------|---------------------------|------|------|-----|------|------|---------------|--------------|
| | | | | | | DIMENSIONS IN INCHES | | | | | | WEIGHT IN LBS | | DIMENSIONS IN INCHES | | | | | | WEIGHT IN LBS | |
| | | | | | | A | B | C | D | E | F | PUMP END ONLY | PUMP & MOTOR | A | B | C | D | E | F | PUMP END ONLY | PUMP & MOTOR |
| BVM33-1-1 | 5 | 1.15 | 1 | 208-230V | 213TC | 20.3 | 15.5 | 9.6 | 3.1 | 38.9 | 9.6 | 130 | 247 | 20.3 | 15.5 | 9.6 | 3.1 | 38.9 | 9.6 | 130 | 247 |
| BVM33-1-1 | 5 | 1.15 | 3 | 208-230V/460V | 184TC | 20.3 | 13.9 | 8.9 | 2.6 | 36.9 | 8.9 | 130 | 198 | 20.3 | 13.9 | 8.9 | 2.6 | 36.9 | 8.9 | 130 | 198 |
| BVM33-1 | 5 | 1.15 | 1 | 208-230V | 213TC | 20.3 | 15.5 | 9.6 | 3.1 | 38.9 | 9.6 | 130 | 247 | 20.3 | 15.5 | 9.6 | 3.1 | 38.9 | 9.6 | 130 | 247 |
| BVM33-1 | 5 | 1.15 | 3 | 208-230V/460V | 184TC | 20.3 | 13.9 | 8.9 | 2.6 | 36.9 | 8.9 | 130 | 198 | 20.3 | 13.9 | 8.9 | 2.6 | 36.9 | 8.9 | 130 | 198 |
| BVM33-2-2 | 7.5 | 1.15 | 1 | 208-230V | 213TC | 21.8 | 15.5 | 8.7 | 3.1 | 40.4 | 8.7 | 132 | 249 | 21.8 | 15.5 | 8.7 | 3.1 | 40.4 | 8.7 | 132 | 249 |
| BVM33-2-2 | 7.5 | 1.15 | 3 | 208-230V/460V | 213TC | 21.8 | 15.5 | 9.6 | 3.1 | 40.5 | 9.6 | 132 | 230 | 21.8 | 15.5 | 9.6 | 3.1 | 40.5 | 9.6 | 132 | 230 |
| BVM33-2-1 | 7.5 | 1.15 | 1 | 208-230V | 213TC | 21.8 | 15.5 | 8.7 | 3.1 | 40.4 | 8.7 | 132 | 249 | 21.8 | 15.5 | 8.7 | 3.1 | 40.4 | 8.7 | 132 | 249 |
| BVM33-2-1 | 7.5 | 1.15 | 3 | 208-230V/460V | 213TC | 21.8 | 15.5 | 9.6 | 3.1 | 40.5 | 9.6 | 132 | 230 | 21.8 | 15.5 | 9.6 | 3.1 | 40.5 | 9.6 | 132 | 230 |
| BVM33-2 | 10 | 1.15 | 1 | 208-230V | 215TC | 21.8 | 16.6 | 9.6 | 3.1 | 41.5 | 9.6 | 132 | 267 | 21.8 | 16.6 | 9.6 | 3.1 | 41.5 | 9.6 | 132 | 267 |
| BVM33-2 | 10 | 1.15 | 3 | 208-230V/460V | 215TC | 21.8 | 15.5 | 9.6 | 3.1 | 40.5 | 9.6 | 132 | 257 | 21.8 | 15.5 | 9.6 | 3.1 | 40.5 | 9.6 | 132 | 257 |
| BVM33-3-2 | 10 | 1.15 | 1 | 208-230V | 215TC | 28.9 | 16.6 | 9.6 | 3.1 | 48.6 | 9.6 | 132 | 267 | 28.9 | 16.6 | 9.6 | 3.1 | 48.6 | 9.6 | 132 | 267 |
| BVM33-3-2 | 10 | 1.15 | 3 | 208-230V/460V | 215TC | 28.9 | 15.5 | 9.6 | 3.1 | 47.6 | 9.6 | 132 | 257 | 28.9 | 15.5 | 9.6 | 3.1 | 47.6 | 9.6 | 132 | 257 |
| BVM33-3 | 15 | 1.15 | 3 | 208-230V/460V | 254TC | 27.7 | 20.0 | 12.9 | 3.8 | 51.5 | 12.9 | 138 | 413 | 27.7 | 20.0 | 12.9 | 3.8 | 51.5 | 12.9 | 138 | 413 |
| BVM33-4-2 | 15 | 1.15 | 3 | 208-230V/460V | 254TC | 30.4 | 20.0 | 12.9 | 3.8 | 54.2 | 12.9 | 138 | 413 | 30.4 | 20.0 | 12.9 | 3.8 | 54.2 | 12.9 | 138 | 413 |
| BVM33-4 | 20 | 1.15 | 3 | 230V/460V | 254TC | 30.4 | 16.9 | 10.3 | 3.8 | 51.0 | 10.3 | 148 | 373 | 30.4 | 16.9 | 10.3 | 3.8 | 51.0 | 10.3 | 148 | 373 |
| BVM33-5-2 | 20 | 1.15 | 3 | 230V/460V | 254TC | 33.2 | 16.9 | 10.3 | 3.8 | 53.8 | 10.3 | 162 | 387 | 33.2 | 16.9 | 10.3 | 3.8 | 53.8 | 10.3 | 162 | 387 |
| BVM33-5 | 20 | 1.15 | 3 | 230V/460V | 254TC | 33.2 | 16.9 | 10.3 | 3.8 | 53.8 | 10.3 | 162 | 387 | 33.2 | 16.9 | 10.3 | 3.8 | 53.8 | 10.3 | 162 | 387 |
| BVM33-6-2 | 25 | 1.15 | 3 | 230V/460V | 284TSC | 38.0 | 20.0 | 12.9 | 3.0 | 61.0 | 12.9 | 180 | 501 | 38.0 | 20.0 | 12.9 | 3.0 | 61.0 | 12.9 | 180 | 501 |
| BVM33-6 | 25 | 1.15 | 3 | 230V/460V | 284TSC | 38.0 | 20.0 | 12.9 | 3.0 | 61.0 | 12.9 | 180 | 501 | 38.0 | 20.0 | 12.9 | 3.0 | 61.0 | 12.9 | 180 | 501 |
| BVM33-7-2 | 30 | 1.15 | 3 | 230V/460V | 284TSC | 40.7 | 23.2 | 15.6 | 3.0 | 66.9 | 15.6 | 202 | 625 | 40.7 | 23.2 | 15.6 | 3.0 | 66.9 | 15.6 | 202 | 625 |
| BVM33-7 | 30 | 1.15 | 3 | 230V/460V | 284TSC | 40.7 | 23.2 | 15.6 | 3.0 | 66.9 | 15.6 | 202 | 625 | 40.7 | 23.2 | 15.6 | 3.0 | 66.9 | 15.6 | 202 | 625 |
| BVM33-8-2 | 30 | 1.15 | 3 | 230V/460V | 284TSC | 43.5 | 23.2 | 15.6 | 3.0 | 69.7 | 15.6 | 228 | 651 | 43.5 | 23.2 | 15.6 | 3.0 | 69.7 | 15.6 | 228 | 651 |
| BVM33-8 | 40 | 1.15 | 3 | 230V/460V | 286TSC | 43.5 | 23.2 | 15.6 | 3.0 | 69.7 | 15.6 | 228 | 708 | 43.5 | 23.2 | 15.6 | 3.0 | 69.7 | 15.6 | 228 | 708 |
| BVM33-9-2 | 40 | 1.15 | 3 | 230V/460V | 286TSC | 46.2 | 23.2 | 15.6 | 3.0 | 72.4 | 15.6 | 258 | 738 | 46.2 | 23.2 | 15.6 | 3.0 | 72.4 | 15.6 | 258 | 738 |
| BVM33-9 | 40 | 1.15 | 3 | 230V/460V | 286TSC | 46.2 | 23.2 | 15.6 | 3.0 | 72.4 | 15.6 | 258 | 738 | 46.2 | 23.2 | 15.6 | 3.0 | 72.4 | 15.6 | 258 | 738 |
| BVM33-10-2 | 40 | 1.15 | 3 | 230V/460V | 288TSC | 49.0 | 23.2 | 15.6 | 3.0 | 75.2 | 15.6 | 292 | 772 | 49.0 | 23.2 | 15.6 | 3.0 | 75.2 | 15.6 | 292 | 772 |

BVM



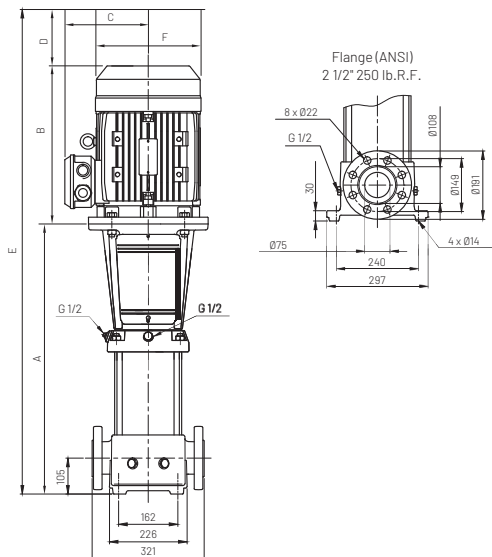
BVM1/BVMX



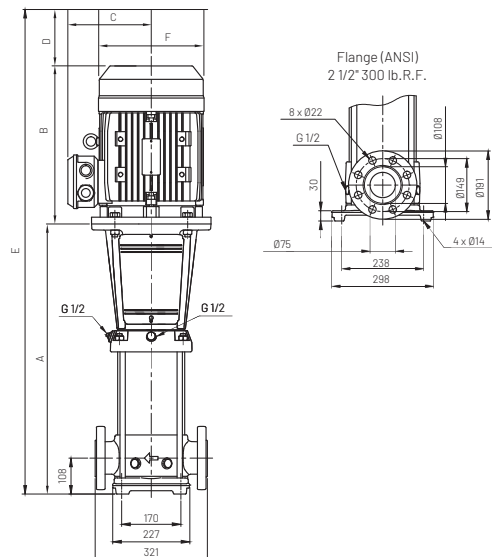
DIMENSION TABLES

| MODEL NUMBER | MOTOR HP | MOTOR SAFETY FACTOR | PHASE | VOLTAGE | MOTOR FRAME | BVM CAST IRON | | | | | | | | BVM/BVMX STAINLESS STEEL | | | | | | | |
|--------------|----------|---------------------|-------|---------------|-------------|------------------|-----|-----|----|------|-----|---------------|--------------|--------------------------|-----|-----|----|------|-----|---------------|--------------|
| | | | | | | DIMENSIONS IN MM | | | | | | WEIGHT IN KGS | | DIMENSIONS IN MM | | | | | | WEIGHT IN KGS | |
| | | | | | | A | B | C | D | E | F | PUMP END ONLY | PUMP & MOTOR | A | B | C | D | E | F | PUMP END ONLY | PUMP & MOTOR |
| BVM33-1-1 | 5 | 1.15 | 1 | 208-230V | 213TC | 516 | 394 | 243 | 79 | 989 | 243 | 59 | 112 | 516 | 394 | 243 | 79 | 989 | 243 | 59 | 112 |
| BVM33-1-1 | 5 | 1.15 | 3 | 208-230V/460V | 184TC | 516 | 354 | 225 | 67 | 936 | 225 | 59 | 90 | 516 | 354 | 225 | 67 | 936 | 225 | 59 | 90 |
| BVM33-1 | 5 | 1.15 | 1 | 208-230V | 213TC | 516 | 394 | 243 | 79 | 989 | 243 | 59 | 112 | 516 | 394 | 243 | 79 | 989 | 243 | 59 | 112 |
| BVM33-1 | 5 | 1.15 | 3 | 208-230V/460V | 184TC | 516 | 354 | 225 | 67 | 936 | 225 | 59 | 90 | 516 | 354 | 225 | 67 | 936 | 225 | 59 | 90 |
| BVM33-2-2 | 7.5 | 1.15 | 1 | 208-230V | 213TC | 554 | 394 | 220 | 79 | 1027 | 220 | 60 | 113 | 554 | 394 | 220 | 79 | 1027 | 220 | 60 | 113 |
| BVM33-2-2 | 7.5 | 1.15 | 3 | 208-230V/460V | 213TC | 554 | 395 | 243 | 79 | 1028 | 243 | 60 | 104 | 554 | 395 | 243 | 79 | 1028 | 243 | 60 | 104 |
| BVM33-2-1 | 7.5 | 1.15 | 1 | 208-230V | 213TC | 554 | 394 | 220 | 79 | 1027 | 220 | 60 | 113 | 554 | 394 | 220 | 79 | 1027 | 220 | 60 | 113 |
| BVM33-2-1 | 7.5 | 1.15 | 3 | 208-230V/460V | 213TC | 554 | 395 | 243 | 79 | 1028 | 243 | 60 | 104 | 554 | 395 | 243 | 79 | 1028 | 243 | 60 | 104 |
| BVM33-2 | 10 | 1.15 | 1 | 208-230V | 215TC | 554 | 422 | 243 | 79 | 1055 | 243 | 60 | 121 | 554 | 422 | 243 | 79 | 1055 | 243 | 60 | 121 |
| BVM33-2 | 10 | 1.15 | 3 | 208-230V/460V | 215TC | 554 | 394 | 243 | 79 | 1028 | 243 | 60 | 117 | 554 | 394 | 243 | 79 | 1028 | 243 | 60 | 117 |
| BVM33-3-2 | 10 | 1.15 | 1 | 208-230V | 215TC | 734 | 422 | 243 | 79 | 1236 | 243 | 60 | 121 | 734 | 422 | 243 | 79 | 1236 | 243 | 60 | 121 |
| BVM33-3-2 | 10 | 1.15 | 3 | 208-230V/460V | 215TC | 734 | 394 | 243 | 79 | 1208 | 243 | 60 | 117 | 734 | 394 | 243 | 79 | 1208 | 243 | 60 | 117 |
| BVM33-3 | 15 | 1.15 | 3 | 208-230V/460V | 254TC | 704 | 509 | 329 | 95 | 1308 | 329 | 63 | 187 | 704 | 509 | 329 | 95 | 1308 | 329 | 63 | 187 |
| BVM33-4-2 | 15 | 1.15 | 3 | 208-230V/460V | 254TC | 772 | 509 | 329 | 95 | 1376 | 329 | 63 | 187 | 772 | 509 | 329 | 95 | 1376 | 329 | 63 | 187 |
| BVM33-4 | 20 | 1.15 | 3 | 230V/460V | 254TC | 772 | 428 | 263 | 95 | 1296 | 263 | 67 | 169 | 772 | 428 | 263 | 95 | 1296 | 263 | 67 | 169 |
| BVM33-5-2 | 20 | 1.15 | 3 | 230V/460V | 254TC | 843 | 428 | 263 | 95 | 1367 | 263 | 73 | 176 | 843 | 428 | 263 | 95 | 1367 | 263 | 73 | 176 |
| BVM33-5 | 20 | 1.15 | 3 | 230V/460V | 254TC | 843 | 428 | 263 | 95 | 1367 | 263 | 73 | 176 | 843 | 428 | 263 | 95 | 1367 | 263 | 73 | 176 |
| BVM33-6-2 | 25 | 1.15 | 3 | 230V/460V | 284TSC | 965 | 507 | 329 | 76 | 1549 | 329 | 82 | 227 | 965 | 507 | 329 | 76 | 1549 | 329 | 82 | 227 |
| BVM33-6 | 25 | 1.15 | 3 | 230V/460V | 284TSC | 965 | 507 | 329 | 76 | 1549 | 329 | 82 | 227 | 965 | 507 | 329 | 76 | 1549 | 329 | 82 | 227 |
| BVM33-7-2 | 30 | 1.15 | 3 | 230V/460V | 284TSC | 1034 | 589 | 395 | 76 | 1699 | 395 | 92 | 283 | 1034 | 589 | 395 | 76 | 1699 | 395 | 92 | 283 |
| BVM33-7 | 30 | 1.15 | 3 | 230V/460V | 284TSC | 1034 | 589 | 395 | 76 | 1699 | 395 | 92 | 283 | 1034 | 589 | 395 | 76 | 1699 | 395 | 92 | 283 |
| BVM33-8-2 | 30 | 1.15 | 3 | 230V/460V | 284TSC | 1105 | 589 | 395 | 76 | 1770 | 395 | 103 | 295 | 1105 | 589 | 395 | 76 | 1770 | 395 | 103 | 295 |
| BVM33-8 | 40 | 1.15 | 3 | 230V/460V | 286TSC | 1105 | 589 | 395 | 76 | 1770 | 395 | 103 | 321 | 1105 | 589 | 395 | 76 | 1770 | 395 | 103 | 321 |
| BVM33-9-2 | 40 | 1.15 | 3 | 230V/460V | 286TSC | 1173 | 589 | 395 | 76 | 1839 | 395 | 117 | 335 | 1173 | 589 | 395 | 76 | 1839 | 395 | 117 | 335 |
| BVM33-9 | 40 | 1.15 | 3 | 230V/460V | 286TSC | 1173 | 589 | 395 | 76 | 1839 | 395 | 117 | 335 | 1173 | 589 | 395 | 76 | 1839 | 395 | 117 | 335 |
| BVM33-10-2 | 40 | 1.15 | 3 | 230V/460V | 286TSC | 1245 | 589 | 395 | 76 | 1910 | 395 | 132 | 350 | 1245 | 589 | 395 | 76 | 1910 | 395 | 132 | 350 |

BVM



BVM/BVMX



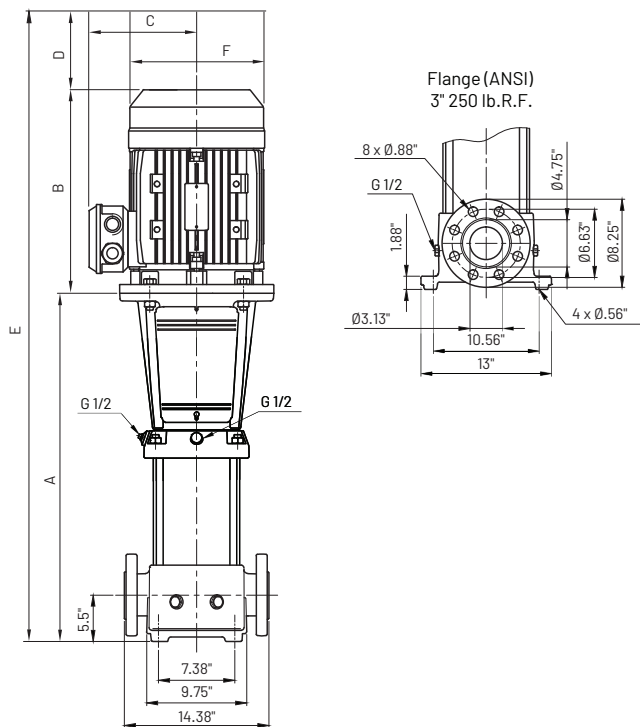
DIMENSION TABLES

| MODEL NUMBER | MOTOR HP | MOTOR SERVICE FACTOR | PHASE | VOLTAGE | MOTOR FRAME | BVM CAST IRON | | | | | | | | BVMX STAINLESS STEEL | | | | | | | |
|--------------|----------|----------------------|---------|---------------|-------------|----------------------|------|------|-----|------|------|---------------|--------------|----------------------|------|------|-----|------|------|---------------|--------------|
| | | | | | | DIMENSIONS IN INCHES | | | | | | WEIGHT IN LBS | | DIMENSIONS IN INCHES | | | | | | WEIGHT IN LBS | |
| | | | | | | A | B | C | D | E | F | PUMP END ONLY | PUMP & MOTOR | A | B | C | D | E | F | PUMP END ONLY | PUMP & MOTOR |
| BVM45-1-1 | 7.5 | 1.15 | 1 | 208-230V | 213TC | 21.3 | 15.5 | 8.7 | 3.1 | 39.9 | 8.7 | 143 | 260 | 21.2 | 15.5 | 8.7 | 3.1 | 39.8 | 8.7 | 124 | 241 |
| BVM45-1-1 | 7.5 | 1.15 | 3 | 208-230V/460V | 213TC | 21.3 | 15.5 | 9.6 | 3.1 | 40.0 | 9.6 | 143 | 241 | 21.2 | 15.5 | 9.6 | 3.1 | 39.9 | 9.6 | 124 | 222 |
| BVM45-1 | 10 | 1.15 | 1 | 208-230V | 215TC | 21.3 | 16.6 | 9.6 | 3.1 | 41.0 | 9.6 | 143 | 278 | 21.2 | 16.6 | 9.6 | 3.1 | 40.9 | 9.6 | 124 | 259 |
| BVM45-1 | 10 | 1.15 | 3 | 208-230V/460V | 215TC | 21.3 | 15.5 | 9.6 | 3.1 | 40.0 | 9.6 | 143 | 268 | 21.2 | 15.5 | 9.6 | 3.1 | 39.9 | 9.6 | 124 | 249 |
| BVM45-2-2 | 15 | 1.15 | 3 | 208-230V/460V | 254TC | 27.6 | 20.0 | 12.9 | 3.8 | 51.4 | 12.9 | 172 | 447 | 27.5 | 20.0 | 12.9 | 3.8 | 51.3 | 12.9 | 154 | 429 |
| BVM45-2-1 | 15 | 1.15 | 3 | 208-230V/460V | 254TC | 27.6 | 20.0 | 12.9 | 3.8 | 51.4 | 12.9 | 172 | 447 | 27.5 | 20.0 | 12.9 | 3.8 | 51.3 | 12.9 | 154 | 429 |
| BVM45-2 | 15 | 1.15 | 3 | 230V/460V | 254TC | 30.4 | 16.9 | 10.3 | 3.8 | 51.0 | 10.3 | 172 | 397 | 27.5 | 16.9 | 10.3 | 3.8 | 48.1 | 10.3 | 154 | 379 |
| BVM45-3-2 | 20 | 1.15 | 3 | 230V/460V | 254TC | 32.7 | 20.0 | 12.9 | 3.8 | 56.4 | 12.9 | 180 | 501 | 32.6 | 20.0 | 12.9 | 3.8 | 56.3 | 12.9 | 162 | 483 |
| BVM45-3-1 | 25 | 1.15 | 3 | 230V/460V | 284TSC | 32.7 | 20.0 | 12.9 | 3.0 | 55.7 | 12.9 | 183 | 504 | 32.6 | 20.0 | 12.9 | 3.0 | 55.6 | 12.9 | 164 | 485 |
| BVM45-3 | 25 | 1.15 | 3 | 230V/460V | 284TSC | 32.7 | 20.0 | 12.9 | 3.0 | 55.7 | 12.9 | 183 | 504 | 32.6 | 20.0 | 12.9 | 3.0 | 55.6 | 12.9 | 164 | 485 |
| BVM45-4-2 | 30 | 1.15 | 3 | 230V/460V | 284TSC | 35.9 | 23.2 | 15.6 | 3.0 | 62.1 | 15.6 | 191 | 614 | 35.8 | 23.2 | 15.6 | 3.0 | 62.0 | 15.6 | 172 | 595 |
| BVM45-4-1 | 30 | 1.15 | 3 | 230V/460V | 284TSC | 35.9 | 23.2 | 15.6 | 3.0 | 62.1 | 15.6 | 191 | 614 | 35.8 | 23.2 | 15.6 | 3.0 | 62.0 | 15.6 | 172 | 595 |
| BVM45-4 | 30 | 1.15 | 3 | 230V/460V | 284TSC | 35.9 | 23.2 | 15.6 | 3.0 | 62.1 | 15.6 | 191 | 614 | 35.8 | 23.2 | 15.6 | 3.0 | 62.0 | 15.6 | 172 | 595 |
| BVM45-5-2 | 40 | 1.15 | 3 | 230V/460V | 286TSC | 39.0 | 23.2 | 15.6 | 3.0 | 65.2 | 15.6 | 199 | 679 | 38.9 | 23.2 | 15.6 | 3.0 | 65.1 | 15.6 | 180 | 660 |
| BVM45-5-1 | 40 | 1.15 | 3 | 230V/460V | 286TSC | 39.0 | 23.2 | 15.6 | 3.0 | 65.2 | 15.6 | 199 | 679 | 38.9 | 23.2 | 15.6 | 3.0 | 65.1 | 15.6 | 180 | 660 |
| BVM45-5 | 40 | 1.15 | 3 | 230V/460V | 286TSC | 39.0 | 23.2 | 15.6 | 3.0 | 65.2 | 15.6 | 199 | 679 | 38.9 | 23.2 | 15.6 | 3.0 | 65.1 | 15.6 | 180 | 660 |
| BVM45-6-2 | 50 | 1.15 | 3(TEFC) | 230V/460V | 326TSC | 42.2 | 28.8 | 16.5 | 3.5 | 74.5 | 16.5 | 224 | 724 | 42.1 | 28.8 | 16.5 | 3.5 | 74.4 | 16.5 | 205 | 705 |
| BVM45-6-2 | 50 | 1.15 | 3(ODP) | 230V/460V | 324TSC | 42.2 | 25.7 | 16.5 | 3.5 | 71.4 | 16.5 | 224 | 603 | 42.1 | 25.7 | 16.5 | 3.5 | 71.3 | 16.5 | 206 | 585 |
| BVM45-6 | 50 | 1.15 | 3(TEFC) | 230V/460V | 326TSC | 42.2 | 28.8 | 16.5 | 3.5 | 74.5 | 16.5 | 232 | 732 | 42.1 | 28.8 | 16.5 | 3.5 | 74.4 | 16.5 | 206 | 706 |
| BVM45-6 | 50 | 1.15 | 3(ODP) | 230V/460V | 324TSC | 42.2 | 25.7 | 16.5 | 3.5 | 71.4 | 16.5 | 232 | 611 | 42.1 | 25.7 | 16.5 | 3.5 | 71.3 | 16.5 | 206 | 585 |
| BVM45-7-2 | 50 | 1.15 | 3(TEFC) | 230V/460V | 326TSC | 45.3 | 28.8 | 16.5 | 3.5 | 77.6 | 16.5 | 232 | 732 | 45.2 | 28.8 | 16.5 | 3.5 | 77.5 | 16.5 | 214 | 714 |
| BVM45-7-2 | 50 | 1.15 | 3(ODP) | 230V/460V | 324TSC | 45.3 | 25.7 | 16.5 | 3.5 | 74.5 | 16.5 | 232 | 611 | 45.2 | 25.7 | 16.5 | 3.5 | 74.4 | 16.5 | 214 | 593 |
| BVM45-7 | 60 | 1.15 | 3(TEFC) | 230V/460V | 364TSC | 45.3 | 31.4 | 18.5 | 3.5 | 80.2 | 18.5 | 232 | 916 | 45.2 | 31.4 | 18.5 | 3.5 | 80.1 | 18.5 | 214 | 898 |
| BVM45-7 | 60 | 1.15 | 3(ODP) | 230V/460V | 324TSC | 45.3 | 25.7 | 18.5 | 3.5 | 74.5 | 18.5 | 232 | 621 | 45.2 | 25.7 | 18.5 | 3.5 | 74.4 | 18.5 | 214 | 603 |
| BVM45-8-2 | 60 | 1.15 | 3(TEFC) | 230V/460V | 364TSC | 48.4 | 31.4 | 18.5 | 3.5 | 83.3 | 18.5 | 232 | 916 | 48.3 | 31.4 | 18.5 | 3.5 | 83.2 | 18.5 | 222 | 906 |
| BVM45-8-2 | 60 | 1.15 | 3(ODP) | 230V/460V | 324TSC | 48.4 | 25.7 | 18.5 | 3.5 | 77.6 | 18.5 | 232 | 621 | 48.3 | 25.7 | 18.5 | 3.5 | 77.5 | 18.5 | 222 | 611 |

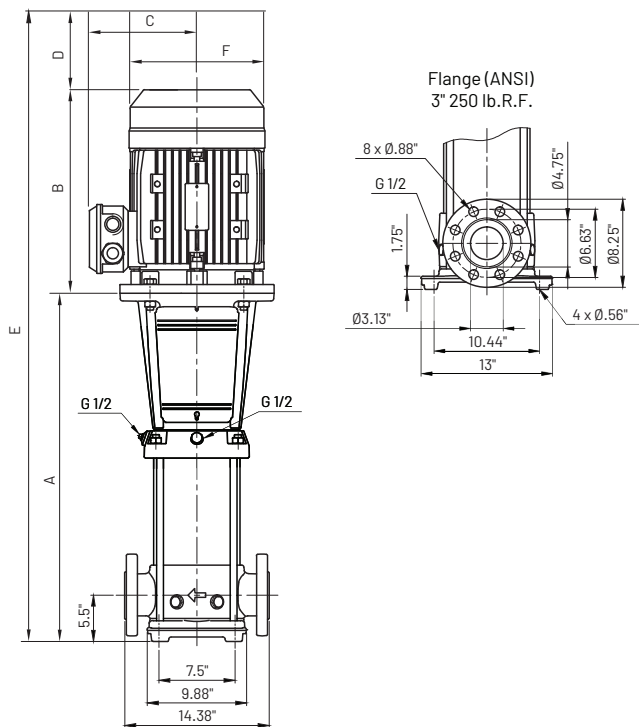
DIMENSION TABLES

PUMP DIMENSIONS – STANDARD

BVM



BVMX



DIMENSION TABLES

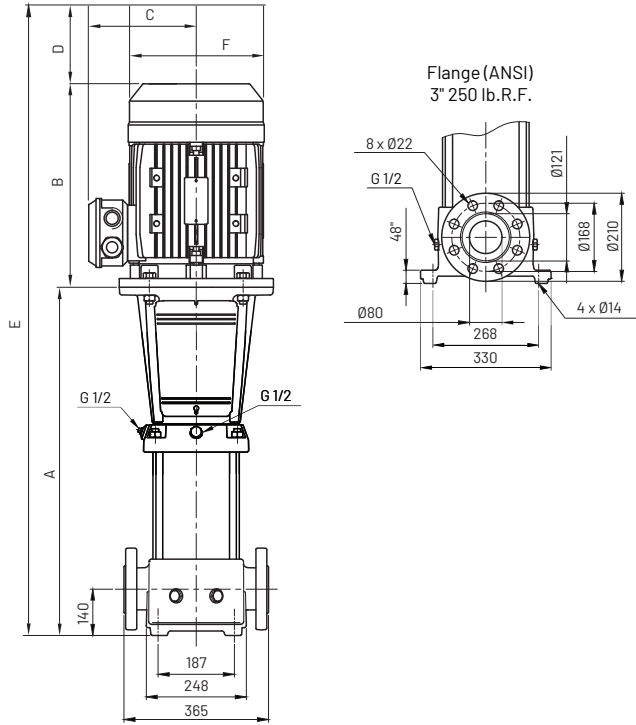
BVM/BVMX 45

PUMP DIMENSIONS – METRIC

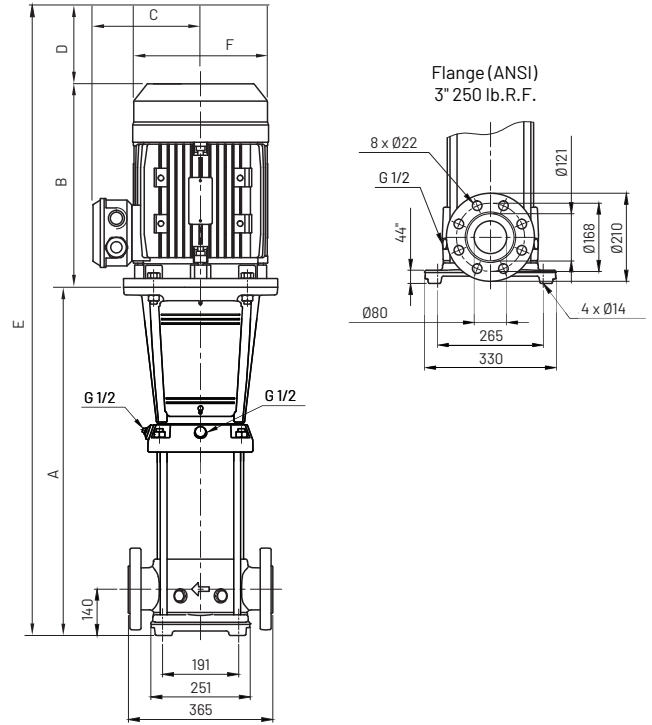
| MODEL NUMBER | MOTOR HP | MOTOR SERVICE FACTOR | PHASE | VOLTAGE | MOTOR FRAME | BVM CAST IRON | | | | | | | BVMX STAINLESS STEEL | | | | | | | | |
|--------------|----------|----------------------|---------|---------------|-------------|------------------|-----|-----|----|------|-----|---------------|----------------------|------------------|-----|-----|----|------|-----|---------------|--------------|
| | | | | | | DIMENSIONS IN MM | | | | | | WEIGHT IN KGS | | DIMENSIONS IN MM | | | | | | WEIGHT IN KGS | |
| | | | | | | A | B | C | D | E | F | PUMP END ONLY | PUMP & MOTOR | A | B | C | D | E | F | PUMP END ONLY | PUMP & MOTOR |
| BVM45-1-1 | 7.5 | 1.15 | 1 | 208-230V | 213TC | 541 | 394 | 220 | 79 | 1014 | 220 | 65 | 118 | 538 | 394 | 220 | 79 | 1012 | 220 | 56 | 109 |
| BVM45-1-1 | 7.5 | 1.15 | 3 | 208-230V/460V | 213TC | 541 | 395 | 243 | 79 | 1015 | 243 | 65 | 109 | 538 | 395 | 243 | 79 | 1013 | 243 | 56 | 101 |
| BVM45-1 | 10 | 1.15 | 1 | 208-230V | 215TC | 541 | 422 | 243 | 79 | 1043 | 243 | 65 | 126 | 538 | 422 | 243 | 79 | 1040 | 243 | 56 | 117 |
| BVM45-1 | 10 | 1.15 | 3 | 208-230V/460V | 215TC | 541 | 394 | 243 | 79 | 1015 | 243 | 65 | 122 | 538 | 394 | 243 | 79 | 1012 | 243 | 56 | 113 |
| BVM45-2-2 | 15 | 1.15 | 3 | 208-230V/460V | 254TC | 701 | 509 | 329 | 95 | 1305 | 329 | 78 | 203 | 699 | 509 | 329 | 95 | 1303 | 329 | 70 | 195 |
| BVM45-2-1 | 15 | 1.15 | 3 | 208-230V/460V | 254TC | 701 | 509 | 329 | 95 | 1305 | 329 | 78 | 203 | 699 | 509 | 329 | 95 | 1303 | 329 | 70 | 195 |
| BVM45-2 | 15 | 1.15 | 3 | 230V/460V | 254TC | 772 | 428 | 263 | 95 | 1296 | 263 | 78 | 180 | 699 | 428 | 263 | 95 | 1222 | 263 | 70 | 172 |
| BVM45-3-2 | 20 | 1.15 | 3 | 230V/460V | 254TC | 831 | 507 | 329 | 95 | 1433 | 329 | 82 | 227 | 828 | 507 | 329 | 95 | 1431 | 329 | 73 | 219 |
| BVM45-3-1 | 25 | 1.15 | 3 | 230V/460V | 284TSC | 831 | 507 | 329 | 76 | 1414 | 329 | 83 | 229 | 828 | 507 | 329 | 76 | 1411 | 329 | 74 | 220 |
| BVM45-3 | 25 | 1.15 | 3 | 230V/460V | 284TSC | 831 | 507 | 329 | 76 | 1414 | 329 | 83 | 229 | 828 | 507 | 329 | 76 | 1411 | 329 | 74 | 220 |
| BVM45-4-2 | 30 | 1.15 | 3 | 230V/460V | 284TSC | 912 | 589 | 395 | 76 | 1577 | 395 | 87 | 278 | 909 | 589 | 395 | 76 | 1575 | 395 | 78 | 270 |
| BVM45-4-1 | 30 | 1.15 | 3 | 230V/460V | 284TSC | 912 | 589 | 395 | 76 | 1577 | 395 | 87 | 278 | 909 | 589 | 395 | 76 | 1575 | 395 | 78 | 270 |
| BVM45-4 | 30 | 1.15 | 3 | 230V/460V | 284TSC | 912 | 589 | 395 | 76 | 1577 | 395 | 87 | 278 | 909 | 589 | 395 | 76 | 1575 | 395 | 78 | 270 |
| BVM45-5-2 | 40 | 1.15 | 3 | 230V/460V | 286TSC | 991 | 589 | 395 | 76 | 1656 | 395 | 90 | 308 | 988 | 589 | 395 | 76 | 1653 | 395 | 82 | 299 |
| BVM45-5-1 | 40 | 1.15 | 3 | 230V/460V | 286TSC | 991 | 589 | 395 | 76 | 1656 | 395 | 90 | 308 | 988 | 589 | 395 | 76 | 1653 | 395 | 82 | 299 |
| BVM45-5 | 40 | 1.15 | 3 | 230V/460V | 286TSC | 991 | 589 | 395 | 76 | 1656 | 395 | 90 | 308 | 988 | 589 | 395 | 76 | 1653 | 395 | 82 | 299 |
| BVM45-6-2 | 50 | 1.15 | 3(TEFC) | 230V/460V | 326TSC | 1072 | 731 | 419 | 89 | 1892 | 419 | 102 | 328 | 1069 | 731 | 419 | 89 | 1889 | 419 | 93 | 320 |
| BVM45-6-2 | 50 | 1.15 | 3(ODP) | 230V/460V | 324TSC | 1072 | 653 | 419 | 89 | 1813 | 419 | 102 | 273 | 1069 | 653 | 419 | 89 | 1811 | 419 | 93 | 265 |
| BVM45-6 | 50 | 1.15 | 3(TEFC) | 230V/460V | 326TSC | 1072 | 731 | 419 | 89 | 1892 | 419 | 105 | 332 | 1069 | 731 | 419 | 89 | 1889 | 419 | 93 | 320 |
| BVM45-6 | 50 | 1.15 | 3(ODP) | 230V/460V | 324TSC | 1072 | 653 | 419 | 89 | 1813 | 419 | 105 | 277 | 1069 | 653 | 419 | 89 | 1811 | 419 | 93 | 265 |
| BVM45-7-2 | 50 | 1.15 | 3(TEFC) | 230V/460V | 326TSC | 1151 | 731 | 419 | 89 | 1971 | 419 | 105 | 332 | 1148 | 731 | 419 | 89 | 1968 | 419 | 97 | 324 |
| BVM45-7-2 | 50 | 1.15 | 3(ODP) | 230V/460V | 324TSC | 1151 | 653 | 419 | 89 | 1892 | 419 | 105 | 277 | 1148 | 653 | 419 | 89 | 1890 | 419 | 97 | 269 |
| BVM45-7 | 60 | 1.15 | 3(TEFC) | 230V/460V | 364TSC | 1151 | 797 | 470 | 89 | 2036 | 470 | 105 | 415 | 1148 | 797 | 470 | 89 | 2034 | 470 | 97 | 407 |
| BVM45-7 | 60 | 1.15 | 3(ODP) | 230V/460V | 324TSC | 1151 | 653 | 470 | 89 | 1892 | 470 | 105 | 282 | 1148 | 653 | 470 | 89 | 1890 | 470 | 97 | 273 |
| BVM45-8-2 | 60 | 1.15 | 3(TEFC) | 230V/460V | 364TSC | 1229 | 797 | 470 | 89 | 2115 | 470 | 105 | 415 | 1227 | 797 | 470 | 89 | 2112 | 470 | 101 | 411 |
| BVM45-8-2 | 60 | 1.15 | 3(ODP) | 230V/460V | 324TSC | 1229 | 653 | 470 | 89 | 1971 | 470 | 105 | 282 | 1227 | 653 | 470 | 89 | 1968 | 470 | 101 | 277 |

DIMENSION TABLES

BVM



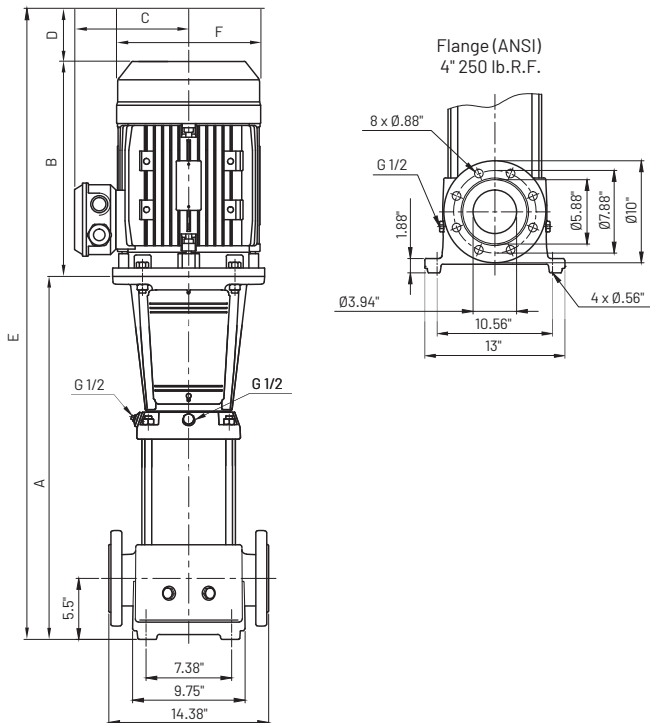
BVMX



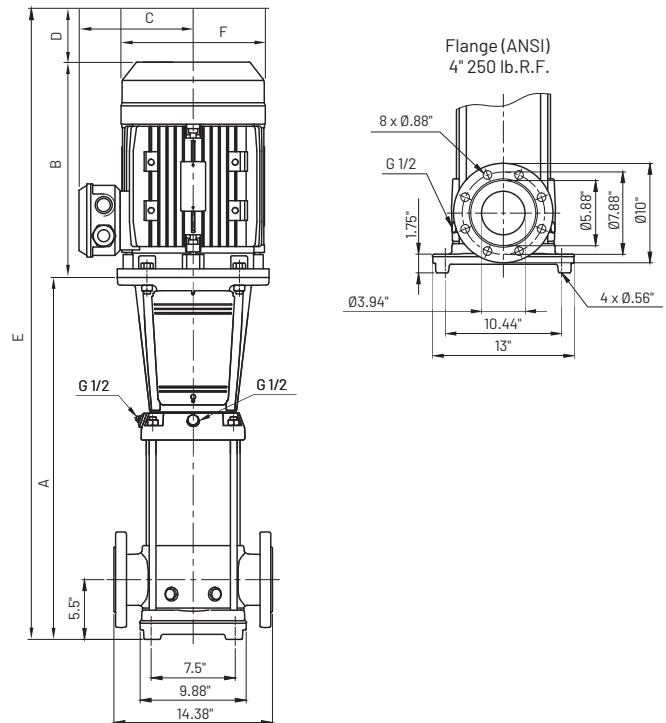
DIMENSION TABLES

| MODEL NUMBER | MOTOR HP | MOTOR SERVICE FACTOR | PHASE | VOLTAGE | MOTOR FRAME | BVM CAST IRON | | | | | | | | BVMX STAINLESS STEEL | | | | | | | |
|--------------|----------|----------------------|----------|---------------|-------------|----------------------|------|------|-----|------|------|---------------|--------------|----------------------|------|------|-----|------|------|---------------|--------------|
| | | | | | | DIMENSIONS IN INCHES | | | | | | WEIGHT IN LBS | | DIMENSIONS IN INCHES | | | | | | WEIGHT IN LBS | |
| | | | | | | A | B | C | D | E | F | PUMP END ONLY | PUMP & MOTOR | A | B | C | D | E | F | PUMP END ONLY | PUMP & MOTOR |
| BVM64-1-1 | 10 | 1.15 | 1 | 208-230V | 215TC | 21.4 | 16.6 | 9.6 | 3.1 | 41.1 | 9.6 | 130 | 265 | 21.4 | 16.6 | 9.6 | 3.1 | 41.1 | 9.6 | 115 | 250 |
| BVM64-1-1 | 10 | 1.15 | 3 | 208-230V/460V | 215TC | 21.4 | 15.5 | 9.6 | 3.1 | 40.1 | 9.6 | 130 | 255 | 21.4 | 15.5 | 9.6 | 3.1 | 40.1 | 9.6 | 115 | 240 |
| BVM64-1 | 15 | 1.15 | 3 | 208-230V/460V | 254TC | 24.5 | 20.0 | 12.9 | 3.8 | 48.3 | 12.9 | 151 | 426 | 24.5 | 20.0 | 12.9 | 3.8 | 48.3 | 12.9 | 136 | 411 |
| BVM64-2-2 | 20 | 1.15 | 3 | 230V/460V | 254TC | 27.8 | 16.9 | 10.3 | 3.8 | 48.4 | 10.3 | 160 | 385 | 27.8 | 16.9 | 10.3 | 3.8 | 48.4 | 10.3 | 145 | 370 |
| BVM64-2-1 | 20 | 1.15 | 3 | 230V/460V | 254TC | 27.8 | 16.9 | 10.3 | 3.8 | 48.4 | 10.3 | 160 | 385 | 27.8 | 16.9 | 10.3 | 3.8 | 48.4 | 10.3 | 145 | 370 |
| BVM64-2 | 25 | 1.15 | 3 | 230V/460V | 284TSC | 29.8 | 20.0 | 12.9 | 3.0 | 52.8 | 12.9 | 162 | 483 | 29.8 | 20.0 | 12.9 | 3.0 | 52.8 | 12.9 | 147 | 468 |
| BVM64-3-2 | 30 | 1.15 | 3 | 230V/460V | 284TSC | 33.0 | 23.2 | 15.6 | 3.0 | 59.2 | 15.6 | 172 | 595 | 33.0 | 23.2 | 15.6 | 3.0 | 59.2 | 15.6 | 156 | 579 |
| BVM64-3-1 | 40 | 1.15 | 3 | 230V/460V | 286TSC | 33.0 | 23.2 | 15.6 | 3.0 | 59.2 | 15.6 | 172 | 652 | 33.0 | 23.2 | 15.6 | 3.0 | 59.2 | 15.6 | 156 | 636 |
| BVM64-3 | 40 | 1.15 | 3 | 230V/460V | 286TSC | 33.0 | 23.2 | 15.6 | 3.0 | 59.2 | 15.6 | 172 | 652 | 33.0 | 23.2 | 15.6 | 3.0 | 59.2 | 15.6 | 156 | 636 |
| BVM64-4-2 | 40 | 1.15 | 3 | 230V/460V | 286TSC | 36.3 | 23.2 | 15.6 | 3.0 | 62.5 | 15.6 | 180 | 660 | 36.3 | 23.2 | 15.6 | 3.0 | 62.5 | 15.6 | 156 | 636 |
| BVM64-4-1 | 50 | 1.15 | 3 (TEFC) | 230V/460V | 326TSC | 36.3 | 28.8 | 16.5 | 3.5 | 68.6 | 16.5 | 198 | 698 | 36.3 | 28.8 | 16.5 | 3.5 | 68.6 | 16.5 | 182 | 682 |
| BVM64-4-1 | 50 | 1.15 | 3 (ODP) | 230V/460V | 324TSC | 36.3 | 25.7 | 16.5 | 3.5 | 65.5 | 16.5 | 198 | 577 | 36.3 | 25.7 | 16.5 | 3.5 | 65.5 | 16.5 | 182 | 561 |
| BVM64-4 | 50 | 1.15 | 3 (TEFC) | 230V/460V | 326TSC | 36.4 | 28.8 | 16.5 | 3.5 | 68.7 | 16.5 | 198 | 698 | 36.4 | 28.8 | 16.5 | 3.5 | 68.7 | 16.5 | 182 | 682 |
| BVM64-4 | 50 | 1.15 | 3 (ODP) | 230V/460V | 324TSC | 36.4 | 25.7 | 16.5 | 3.5 | 65.6 | 16.5 | 198 | 577 | 36.4 | 25.7 | 16.5 | 3.5 | 65.6 | 16.5 | 182 | 561 |
| BVM64-5-2 | 60 | 1.15 | 3 (TEFC) | 230V/460V | 364TSC | 39.6 | 31.4 | 18.5 | 3.5 | 74.5 | 18.5 | 206 | 890 | 39.6 | 31.4 | 18.5 | 3.5 | 74.5 | 18.5 | 182 | 866 |
| BVM64-5-2 | 60 | 1.15 | 3 (ODP) | 230V/460V | 324TSC | 39.6 | 25.7 | 18.5 | 3.5 | 68.8 | 18.5 | 206 | 595 | 39.6 | 25.7 | 18.5 | 3.5 | 68.8 | 18.5 | 182 | 571 |

BVM



BVMX

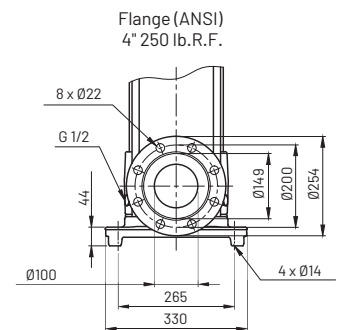
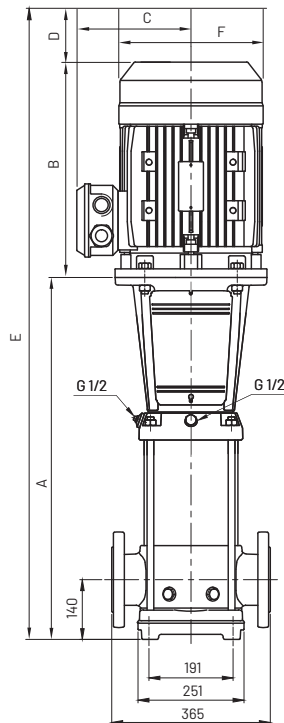
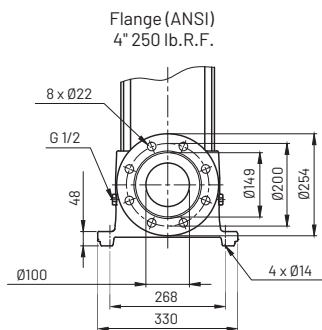
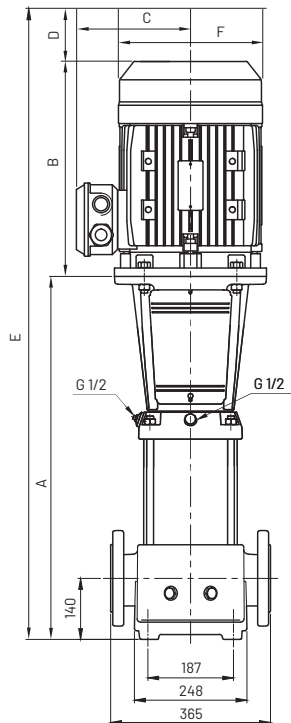


DIMENSION TABLES

| MODEL NUMBER | MOTOR HP | MOTOR SERVICE FACTOR | PHASE | VOLTAGE | MOTOR FRAME | BVM CAST IRON | | | | | | | BVMX STAINLESS STEEL | | | | | | | | |
|--------------|----------|----------------------|-------------|---------------|-------------|------------------|-----|-----|----|------|-----|---------------|----------------------|------------------|-----|-----|----|------|-----|---------------|--------------|
| | | | | | | DIMENSIONS IN MM | | | | | | WEIGHT IN KGS | | DIMENSIONS IN MM | | | | | | WEIGHT IN KGS | |
| | | | | | | A | B | C | D | E | F | PUMP END ONLY | PUMP & MOTOR | A | B | C | D | E | F | PUMP END ONLY | PUMP & MOTOR |
| BVM64-1-1 | 10 | 1.15 | 1 | 208-230V | 215TC | 544 | 422 | 243 | 79 | 1045 | 243 | 59 | 120 | 544 | 422 | 243 | 79 | 1045 | 243 | 52 | 113 |
| BVM64-1-1 | 10 | 1.15 | 3 | 208-230V/460V | 215TC | 544 | 394 | 243 | 79 | 1017 | 243 | 59 | 116 | 544 | 394 | 243 | 79 | 1017 | 243 | 52 | 109 |
| BVM64-1 | 15 | 1.15 | 3 | 208-230V/460V | 254TC | 622 | 509 | 329 | 95 | 1226 | 329 | 68 | 193 | 622 | 509 | 329 | 95 | 1226 | 329 | 62 | 186 |
| BVM64-2-2 | 20 | 1.15 | 3 | 230V/460V | 254TC | 706 | 428 | 263 | 95 | 1230 | 263 | 73 | 175 | 706 | 428 | 263 | 95 | 1230 | 263 | 66 | 168 |
| BVM64-2-1 | 20 | 1.15 | 3 | 230V/460V | 254TC | 706 | 428 | 263 | 95 | 1230 | 263 | 73 | 175 | 706 | 428 | 263 | 95 | 1230 | 263 | 66 | 168 |
| BVM64-2 | 25 | 1.15 | 3 | 230V/460V | 284TSC | 757 | 507 | 329 | 76 | 1340 | 329 | 73 | 219 | 757 | 507 | 329 | 76 | 1340 | 329 | 67 | 212 |
| BVM64-3-2 | 30 | 1.15 | 3 | 230V/460V | 284TSC | 838 | 589 | 395 | 76 | 1503 | 395 | 78 | 270 | 838 | 589 | 395 | 76 | 1503 | 395 | 71 | 263 |
| BVM64-3-1 | 40 | 1.15 | 3 | 230V/460V | 286TSC | 838 | 589 | 395 | 76 | 1503 | 395 | 78 | 296 | 838 | 589 | 395 | 76 | 1503 | 395 | 71 | 288 |
| BVM64-3 | 40 | 1.15 | 3 | 230V/460V | 286TSC | 838 | 589 | 395 | 76 | 1503 | 395 | 78 | 296 | 838 | 589 | 395 | 76 | 1503 | 395 | 71 | 288 |
| BVM64-4-2 | 40 | 1.15 | 3 | 230V/460V | 286TSC | 922 | 589 | 395 | 76 | 1587 | 395 | 82 | 299 | 922 | 589 | 395 | 76 | 1587 | 395 | 71 | 288 |
| BVM64-4-1 | 50 | 1.15 | 3 (TEFC) | 230V/460V | 326TSC | 922 | 731 | 419 | 89 | 1742 | 419 | 90 | 317 | 922 | 731 | 419 | 89 | 1742 | 419 | 83 | 309 |
| BVM64-4-1 | 50 | 1.15 | 3(ODP) | 230V/460V | 324TSC | 922 | 653 | 419 | 89 | 1663 | 419 | 90 | 262 | 922 | 653 | 419 | 89 | 1663 | 419 | 83 | 254 |
| BVM64-4 | 50 | 1.15 | 3 (TEFC) | 230V/460V | 326TSC | 925 | 731 | 419 | 89 | 1744 | 419 | 90 | 317 | 925 | 731 | 419 | 89 | 1744 | 419 | 83 | 309 |
| BVM64-4 | 50 | 1.15 | 3(ODP) | 230V/460V | 324TSC | 925 | 653 | 419 | 89 | 1666 | 419 | 90 | 262 | 925 | 653 | 419 | 89 | 1666 | 419 | 83 | 254 |
| BVM64-5-2 | 60 | 1.15 | 3 (TEFC) | 230V/460V | 364TSC | 1006 | 797 | 470 | 89 | 1891 | 470 | 93 | 404 | 1006 | 797 | 470 | 89 | 1891 | 470 | 83 | 393 |
| BVM64-5-2 | 60 | 1.15 | 3(ODP) | 230V/460V | 324TSC | 1006 | 653 | 470 | 89 | 1747 | 470 | 93 | 270 | 1006 | 653 | 470 | 89 | 1747 | 470 | 83 | 259 |

BVM

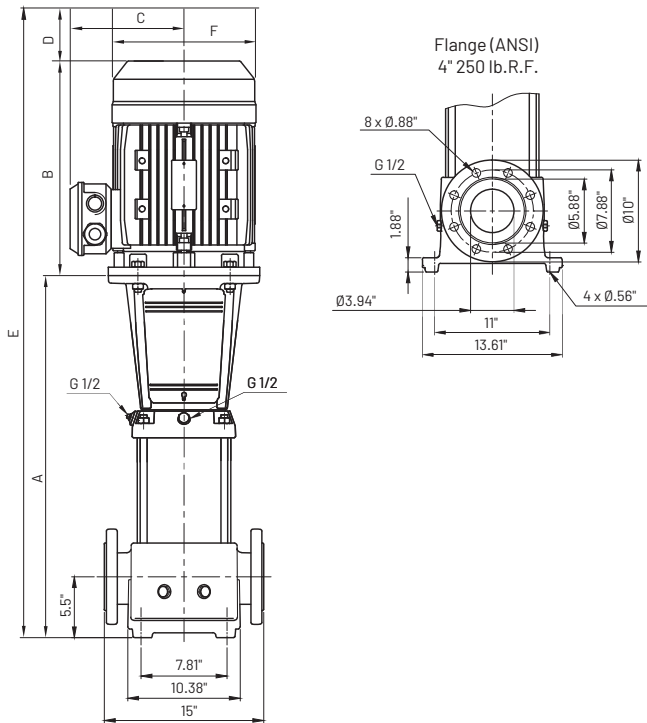
BVMX



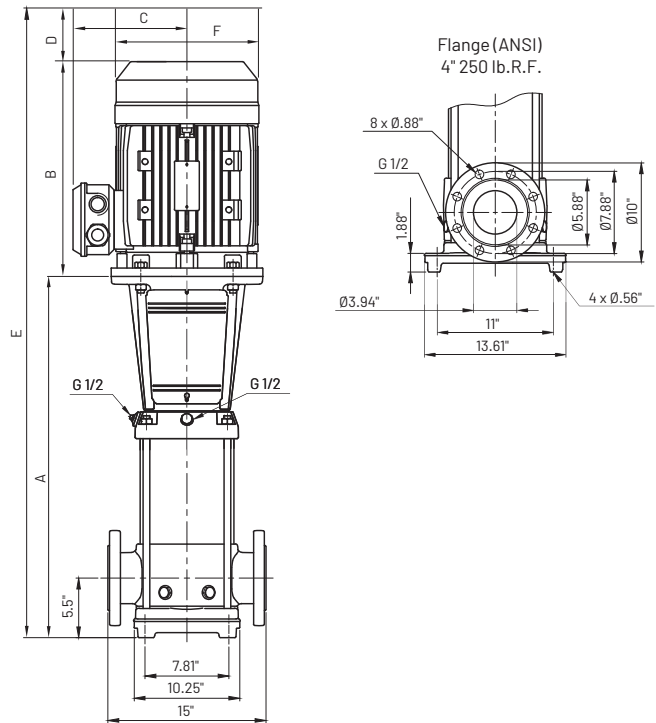
DIMENSION TABLES

| MODEL NUMBER | MOTOR HP | MOTOR SERVICE FACTOR | PHASE | VOLTAGE | MOTOR FRAME | BVM CAST IRON | | | | | | | | BVMX STAINLESS STEEL | | | | | | | |
|--------------|----------|----------------------|-------------|---------------|-------------|----------------------|------|------|-----|------|------|---------------|--------------|----------------------|------|------|-----|------|------|---------------|--------------|
| | | | | | | DIMENSIONS IN INCHES | | | | | | WEIGHT IN LBS | | DIMENSIONS IN INCHES | | | | | | WEIGHT IN LBS | |
| | | | | | | A | B | C | D | E | F | PUMP END ONLY | PUMP & MOTOR | A | B | C | D | E | F | PUMP END ONLY | PUMP & MOTOR |
| BVM90-1-1 | 15 | 1.15 | 3 | 208-230V/460V | 254TC | 24.9 | 20.0 | 12.9 | 3.8 | 48.7 | 12.9 | 181 | 456 | 25.0 | 20.0 | 12.9 | 3.8 | 48.8 | 12.9 | 159 | 434 |
| BVM90-1 | 20 | 1.15 | 3 | 230V/460V | 254TC | 24.9 | 16.9 | 10.3 | 3.8 | 45.5 | 10.3 | 181 | 406 | 25.0 | 16.9 | 10.3 | 3.8 | 45.6 | 10.3 | 159 | 384 |
| BVM90-2-2 | 25 | 1.15 | 3 | 230V/460V | 284TSC | 30.5 | 20.0 | 12.9 | 3.0 | 53.5 | 12.9 | 194 | 515 | 30.6 | 20.0 | 12.9 | 3.0 | 53.6 | 12.9 | 172 | 493 |
| BVM90-2-1 | 30 | 1.15 | 3 | 230V/460V | 284TSC | 30.5 | 23.2 | 15.6 | 3.0 | 56.7 | 15.6 | 194 | 617 | 30.6 | 23.2 | 15.6 | 3.0 | 56.8 | 15.6 | 172 | 595 |
| BVM90-2 | 40 | 1.15 | 3 | 230V/460V | 286TSC | 30.5 | 23.2 | 15.6 | 3.0 | 56.7 | 15.6 | 194 | 674 | 30.6 | 23.2 | 15.6 | 3.0 | 56.8 | 15.6 | 172 | 652 |
| BVM90-3-2 | 40 | 1.15 | 3 | 230V/460V | 286TSC | 34.1 | 23.2 | 15.6 | 3.0 | 60.3 | 15.6 | 205 | 685 | 34.3 | 23.2 | 15.6 | 3.0 | 60.5 | 15.6 | 184 | 664 |
| BVM90-3-1 | 50 | 1.15 | 3 (TEFC) | 230V/460V | 326TSC | 34.1 | 28.8 | 16.5 | 3.5 | 66.4 | 16.5 | 223 | 723 | 34.3 | 28.8 | 16.5 | 3.5 | 66.6 | 16.5 | 201 | 701 |
| BVM90-3-1 | 50 | 1.15 | 3(ODP) | 230V/460V | 324TSC | 34.1 | 25.7 | 16.5 | 3.5 | 63.3 | 16.5 | 223 | 602 | 34.3 | 25.7 | 16.5 | 3.5 | 63.5 | 16.5 | 201 | 580 |
| BVM90-3 | 50 | 1.15 | 3 (TEFC) | 230V/460V | 326TSC | 34.1 | 28.8 | 16.5 | 3.5 | 66.4 | 16.5 | 223 | 723 | 34.3 | 28.8 | 16.5 | 3.5 | 66.6 | 16.5 | 201 | 701 |
| BVM90-3 | 50 | 1.15 | 3(ODP) | 230V/460V | 324TSC | 34.1 | 25.7 | 16.5 | 3.5 | 63.3 | 16.5 | 223 | 602 | 34.3 | 25.7 | 16.5 | 3.5 | 63.5 | 16.5 | 201 | 580 |
| BVM90-4-2 | 60 | 1.15 | 3 (TEFC) | 230V/460V | 364TSC | 37.7 | 31.4 | 18.5 | 3.5 | 72.6 | 18.5 | 238 | 922 | 37.9 | 31.4 | 18.5 | 3.5 | 72.8 | 18.5 | 216 | 900 |
| BVM90-4-2 | 60 | 1.15 | 3(ODP) | 230V/460V | 324TSC | 37.7 | 25.7 | 18.5 | 3.5 | 66.9 | 18.5 | 238 | 627 | 37.9 | 25.7 | 18.5 | 3.5 | 67.1 | 18.5 | 216 | 605 |
| BVM90-4-1 | 60 | 1.15 | 3 (TEFC) | 230V/460V | 364TSC | 37.7 | 31.4 | 18.5 | 3.5 | 72.6 | 18.5 | 238 | 922 | 40.9 | 31.4 | 18.5 | 3.5 | 75.8 | 18.5 | 216 | 900 |
| BVM90-4-1 | 60 | 1.15 | 3(ODP) | 230V/460V | 324TSC | 37.7 | 25.7 | 18.5 | 3.5 | 66.9 | 18.5 | 238 | 627 | 40.9 | 25.7 | 18.5 | 3.5 | 70.1 | 18.5 | 216 | 605 |

BVM



BVMX

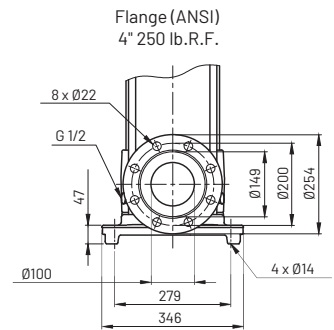
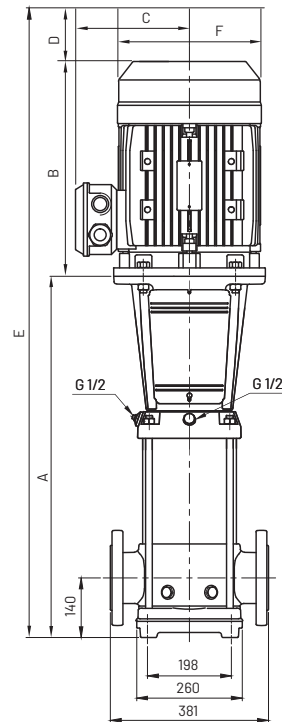
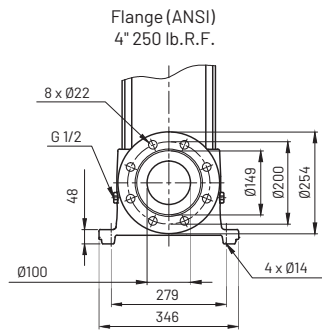
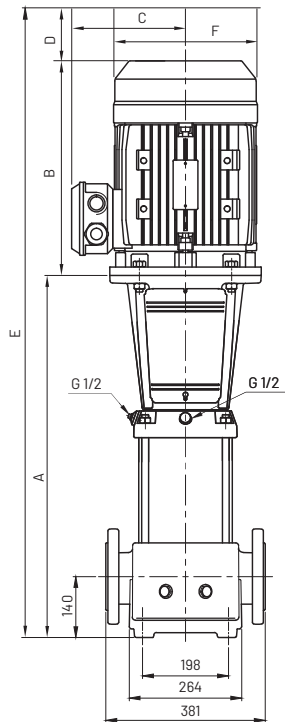


DIMENSION TABLES

| MODEL NUMBER | MOTOR HP | MOTOR SERVICE FACTOR | PHASE | VOLTAGE | MOTOR FRAME | BVM CAST IRON | | | | | | | BVMX STAINLESS STEEL | | | | | | | | |
|--------------|----------|----------------------|---------|---------------|-------------|------------------|-----|-----|----|------|-----|---------------|----------------------|------------------|-----|-----|----|------|-----|---------------|--------------|
| | | | | | | DIMENSIONS IN MM | | | | | | WEIGHT IN KGS | | DIMENSIONS IN MM | | | | | | WEIGHT IN KGS | |
| | | | | | | A | B | C | D | E | F | PUMP END ONLY | PUMP & MOTOR | A | B | C | D | E | F | PUMP END ONLY | PUMP & MOTOR |
| BVM90-1-1 | 15 | 1.15 | 3 | 208-230V/460V | 254TC | 632 | 509 | 329 | 95 | 1236 | 329 | 82 | 207 | 635 | 509 | 329 | 95 | 1239 | 329 | 72 | 197 |
| BVM90-1 | 20 | 1.15 | 3 | 230V/460V | 254TC | 632 | 428 | 263 | 95 | 1156 | 263 | 82 | 184 | 635 | 428 | 263 | 95 | 1158 | 263 | 72 | 174 |
| BVM90-2-2 | 25 | 1.15 | 3 | 230V/460V | 284TSC | 775 | 507 | 329 | 76 | 1358 | 329 | 88 | 234 | 777 | 507 | 329 | 76 | 1361 | 329 | 78 | 224 |
| BVM90-2-1 | 30 | 1.15 | 3 | 230V/460V | 284TSC | 775 | 589 | 395 | 76 | 1440 | 395 | 88 | 280 | 777 | 589 | 395 | 76 | 1442 | 395 | 78 | 270 |
| BVM90-2 | 40 | 1.15 | 3 | 230V/460V | 286TSC | 775 | 589 | 395 | 76 | 1440 | 395 | 88 | 306 | 777 | 589 | 395 | 76 | 1442 | 395 | 78 | 296 |
| BVM90-3-2 | 40 | 1.15 | 3 | 230V/460V | 286TSC | 866 | 589 | 395 | 76 | 1531 | 395 | 93 | 311 | 871 | 589 | 395 | 76 | 1536 | 395 | 83 | 301 |
| BVM90-3-1 | 50 | 1.15 | 3(TEFC) | 230V/460V | 326TSC | 866 | 731 | 419 | 89 | 1686 | 419 | 101 | 328 | 871 | 731 | 419 | 89 | 1691 | 419 | 91 | 318 |
| BVM90-3-1 | 50 | 1.15 | 3(ODP) | 230V/460V | 324TSC | 866 | 653 | 419 | 89 | 1608 | 419 | 101 | 273 | 871 | 653 | 419 | 89 | 1613 | 419 | 91 | 263 |
| BVM90-3 | 50 | 1.15 | 3(TEFC) | 230V/460V | 326TSC | 866 | 731 | 419 | 89 | 1686 | 419 | 101 | 328 | 871 | 731 | 419 | 89 | 1691 | 419 | 91 | 318 |
| BVM90-3 | 50 | 1.15 | 3(ODP) | 230V/460V | 324TSC | 866 | 653 | 419 | 89 | 1608 | 419 | 101 | 273 | 871 | 653 | 419 | 89 | 1613 | 419 | 91 | 263 |
| BVM90-4-2 | 60 | 1.15 | 3(TEFC) | 230V/460V | 364TSC | 958 | 797 | 470 | 89 | 1843 | 470 | 108 | 418 | 963 | 797 | 470 | 89 | 1848 | 470 | 98 | 408 |
| BVM90-4-2 | 60 | 1.15 | 3(ODP) | 230V/460V | 324TSC | 958 | 653 | 470 | 89 | 1699 | 470 | 108 | 284 | 963 | 653 | 470 | 89 | 1704 | 470 | 98 | 274 |
| BVM90-4-1 | 60 | 1.15 | 3(TEFC) | 230V/460V | 364TSC | 958 | 797 | 470 | 89 | 1843 | 470 | 108 | 418 | 1039 | 797 | 470 | 89 | 1924 | 470 | 98 | 408 |
| BVM90-4-1 | 60 | 1.15 | 3(ODP) | 230V/460V | 324TSC | 958 | 653 | 470 | 89 | 1699 | 470 | 108 | 284 | 1039 | 653 | 470 | 89 | 1780 | 470 | 98 | 274 |

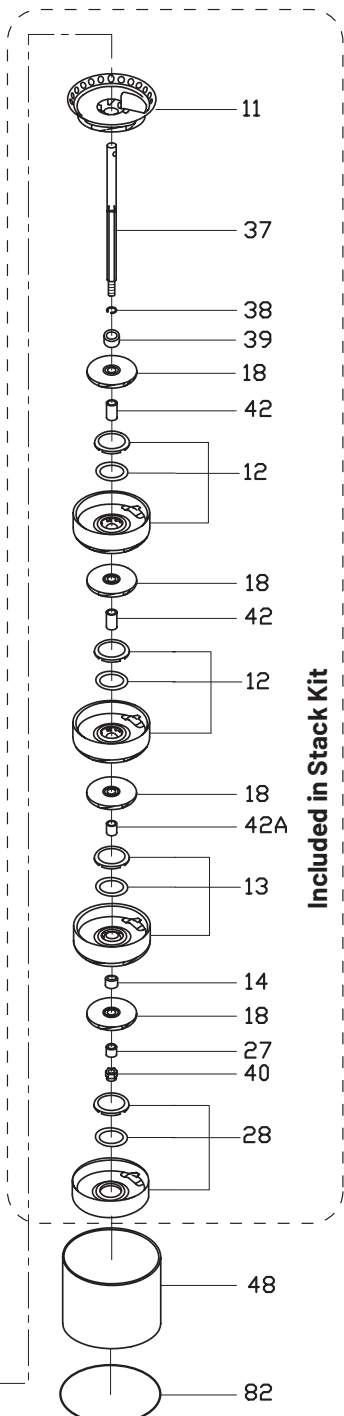
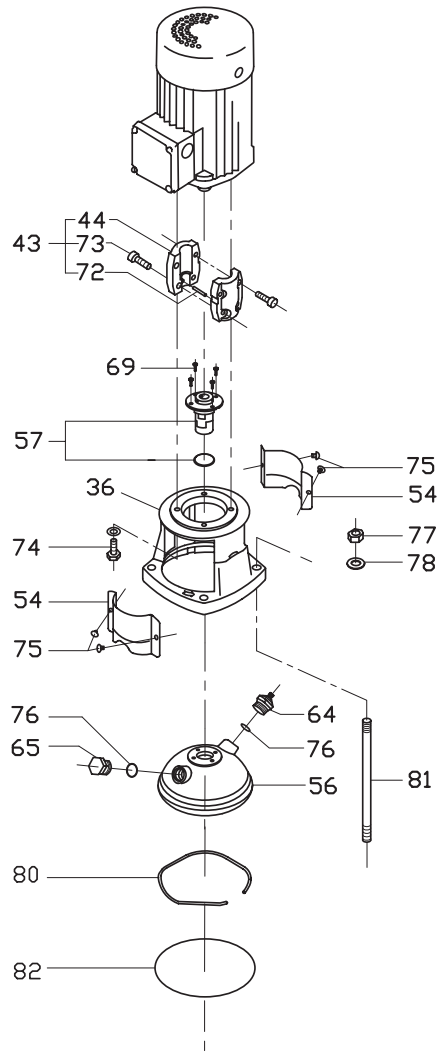
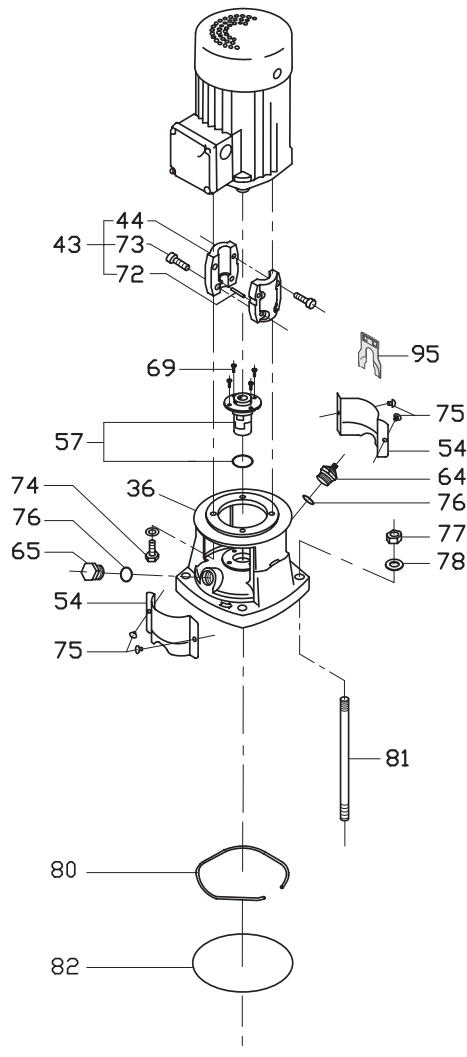
BVM

BVMX

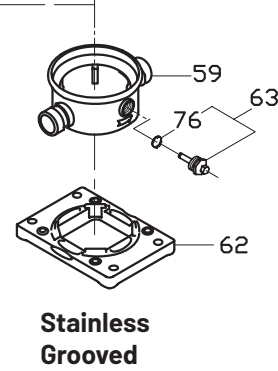
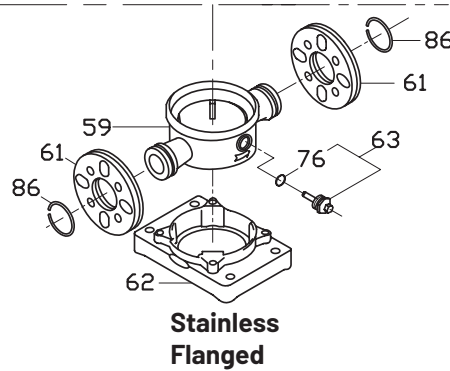
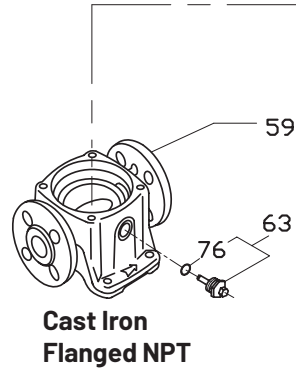


PARTS LIST

| Cast Iron Models | Stainless Models |
|------------------|------------------|
| BVM1 | BVM(1/X)1 |
| BVM3 | BVM(1/X)3 |
| BVM5 | BVM(1/X)5 |



Included in Stack Kit

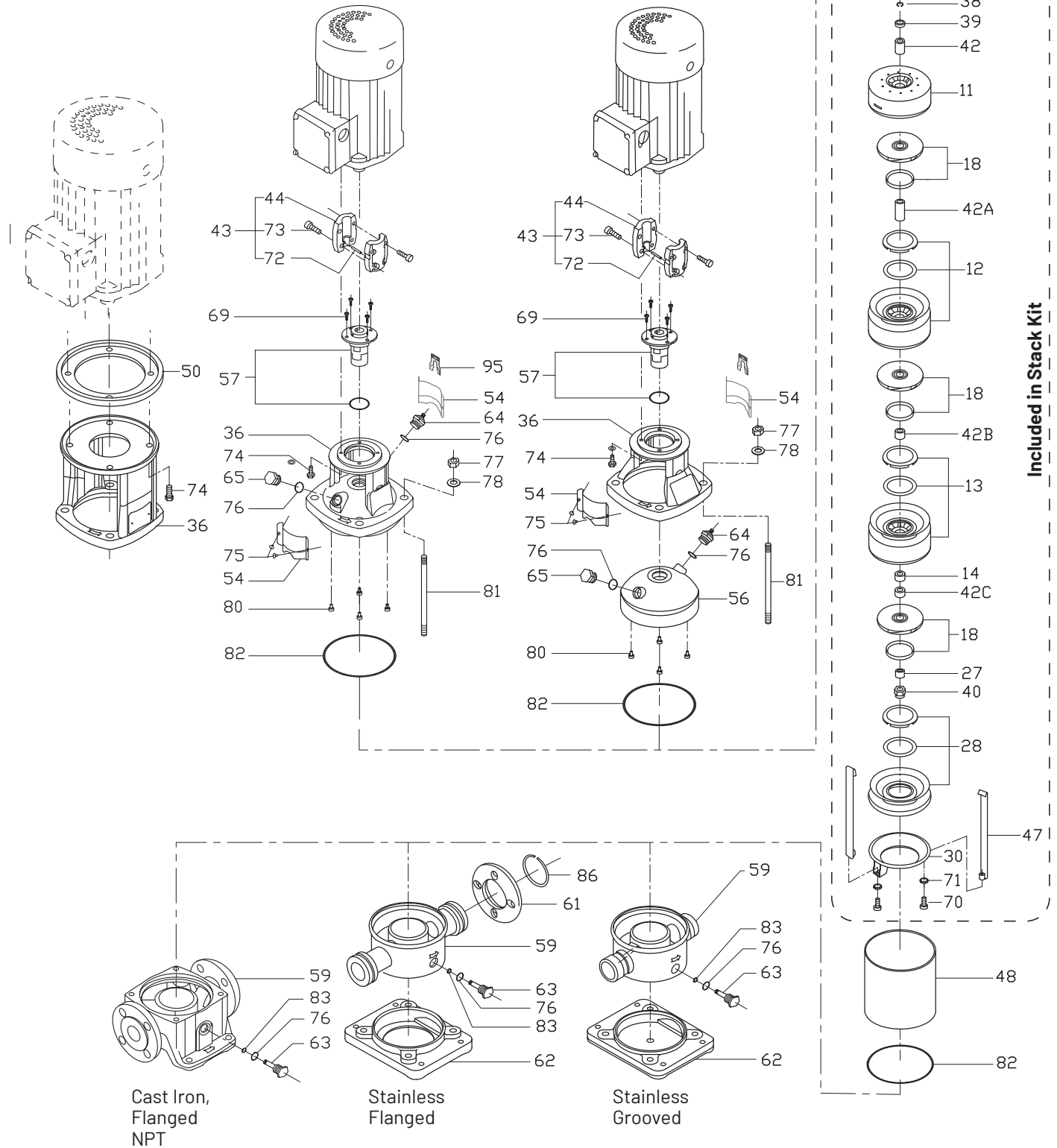


PARTS LIST

| COMPONENT | BVM1, BVM3 | BVM11, BVMX1, BVM13, BVMX3 | BVM5 | BVM15, BVMX5 |
|-----------|---------------------------|----------------------------|---------------------------|---------------------------|
| 11 | Discharge | Discharge | Discharge | Discharge |
| 12 | Diffuser, Normal | Diffuser, Normal | Diffuser, Normal | Diffuser, Normal |
| 13 | Diffuser, with Bearing | Diffuser, with Bearing | Diffuser, with Bearing | Diffuser, with Bearing |
| 14 | Bearing | Bearing | Bearing | Bearing |
| 18 | Impeller | Impeller | Impeller | Impeller |
| 27 | Clamp | Clamp | Clamp | Clamp |
| 28 | Diffuser, Bottom | Diffuser, Bottom | Diffuser, Bottom | Diffuser, Bottom |
| 36 | Motor Stool | Motor Stool | Motor Stool | Motor Stool |
| 37 | Shaft | Shaft | Shaft | Shaft |
| 38 | Stack Washer | Stack Washer | Stack Washer | Stack Washer |
| 39 | Bushing | Bushing | Bushing | Bushing |
| 40 | Bolt, shaft | Bolt, shaft | Bolt, shaft | Bolt, shaft |
| 42 | Spacer | Spacer | Spacer | Spacer |
| 42A | Spacer | Spacer | Spacer | Spacer |
| 42B | Spacer | Spacer | Spacer | Spacer |
| 42C | Spacer | Spacer | Spacer | Spacer |
| 43 | Coupling Assembly | Coupling Assembly | Coupling Assembly | Coupling Assembly |
| 44 | Coupling Half | Coupling Half | Coupling Half | Coupling Half |
| 48 | Sleeve | Sleeve | Sleeve | Sleeve |
| 54 | Coupling Guard | Coupling Guard | Coupling Guard | Coupling Guard |
| 56 | n/a | Pump Head | n/a | Pump Head |
| 57 | Mechanical Seal Assembly | Mechanical Seal Assembly | Mechanical Seal Assembly | Mechanical Seal Assembly |
| 59 | Base | Base | Base | Base |
| 61 | n/a | Connecting Flange | n/a | Connecting Flange |
| 62 | n/a | Base Plate | n/a | Base Plate |
| 63 | Drain Plug | Drain Plug | Drain Plug | Drain Plug |
| 64 | Vent Plug | Vent Plug | Vent Plug | Vent Plug |
| 65 | Pump Head Plug | Pump Head Plug | Pump Head Plug | Pump Head Plug |
| 69 | Screw, Mechanical Seal | Screw, Mechanical Seal | Screw, Mechanical Seal | Screw, Mechanical Seal |
| 72 | Shaft Pin | Shaft Pin | Shaft Pin | Shaft Pin |
| 73 | Bolt, Coupling | Bolt, Coupling | Bolt, Coupling | Bolt, Coupling |
| 74 | Bolt, Motor | Bolt, Motor | Bolt, Motor | Bolt, Motor |
| 75 | Screw, Coupling Guard | Screw, Coupling Guard | Screw, Coupling Guard | Screw, Coupling Guard |
| 76 | O-ring, Vent & Drain Plug | O-ring, Vent & Drain Plug | O-ring, Vent & Drain Plug | O-ring, Vent & Drain Plug |
| 77 | Staybolt Nut | Staybolt Nut | Staybolt Nut | Staybolt Nut |
| 78 | Staybolt Washer | Staybolt Washer | Staybolt Washer | Staybolt Washer |
| 80 | Spring Washer | Spring Washer | Spring Washer | Spring Washer |
| 81 | Staybolt | Staybolt | Staybolt | Staybolt |
| 82 | O-ring, Sleeve | O-ring, Sleeve | O-ring, Sleeve | O-ring, Sleeve |
| 86 | n/a | Flange Retaining Ring | n/a | Flange Retaining Ring |
| 95 | Stack Height Gauge | Stack Height Gauge | Stack Height Gauge | Stack Height Gauge |

PARTS LIST

| CAST IRON MODELS | STAINLESS MODELS |
|------------------|------------------|
| BVM10 | BVM(I/X)10 |
| BVM15 | BVM(I/X)15 |
| BVM20 | BVM(I/X)20 |

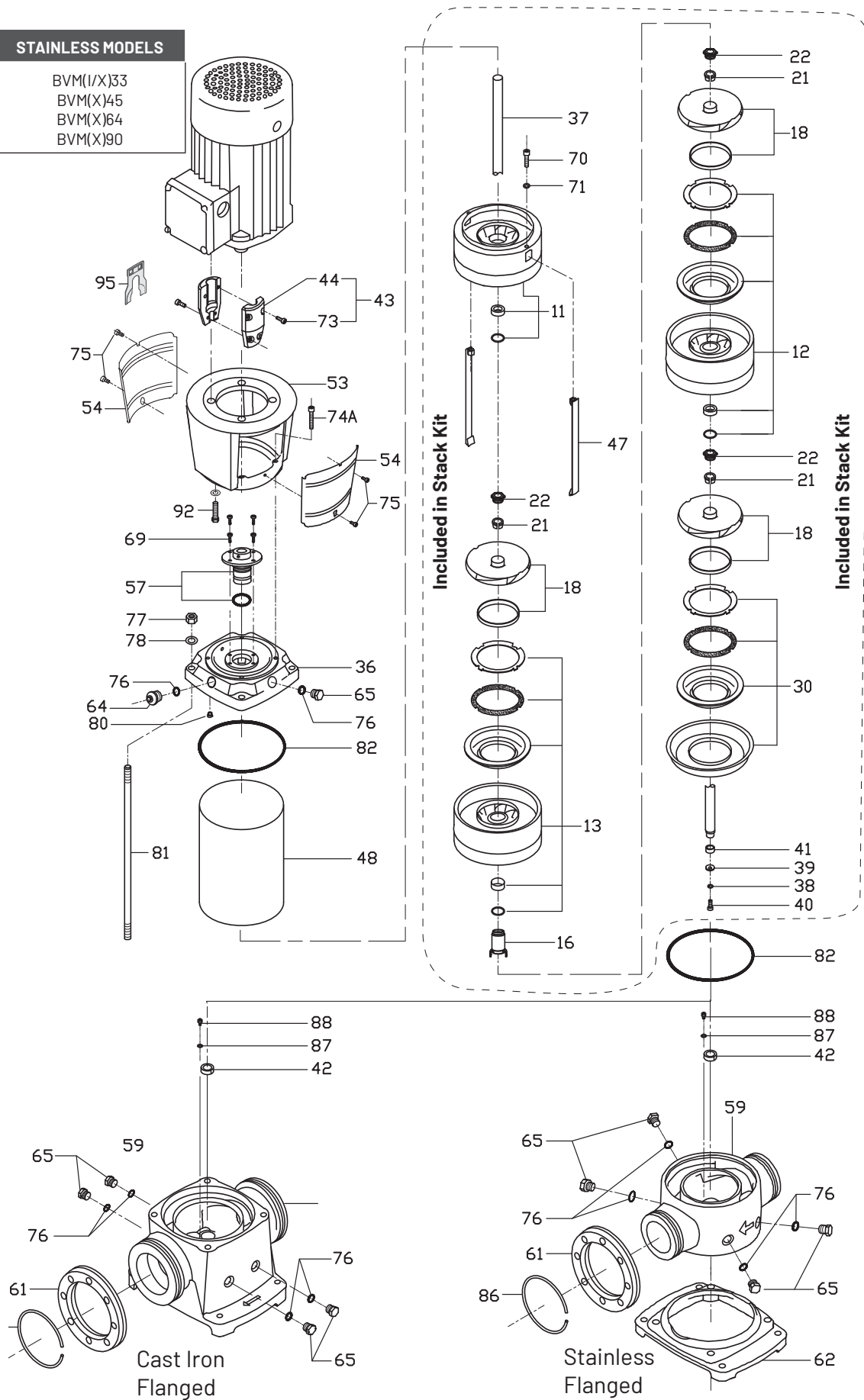


PARTS LIST

| COMPONENT | BVM10 | BVM10, BVMX10 | BVM15, BVM20 | BVMI/X15, BVMI/X20 |
|-----------|---------------------------|---------------------------|---------------------------|---------------------------|
| 11 | Discharge | Discharge | Discharge | Discharge |
| 12 | Diffuser, Normal | Diffuser, Normal | Diffuser, Normal | Diffuser, Normal |
| 13 | Diffuser, with Bearing | Diffuser, with Bearing | Diffuser, with Bearing | Diffuser, with Bearing |
| 14 | Bearing | Bearing | Bearing | Bearing |
| 18 | Impeller | Impeller | Impeller | Impeller |
| 24 | Wear Ring | Wear Ring | Wear Ring | Wear Ring |
| 25 | Wear Ring Retainer | Wear Ring Retainer | Wear Ring Retainer | Wear Ring Retainer |
| 27 | Clamp | Clamp | Clamp | Clamp |
| 28 | Diffuser, Bottom | Diffuser, Bottom | Diffuser, Bottom | Diffuser, Bottom |
| 30 | Strap Retainer | Strap Retainer | Strap Retainer | Strap Retainer |
| 36 | Motor Stool | Motor Stool | Motor Stool | Motor Stool |
| 37 | Shaft | Shaft | Shaft | Shaft |
| 38 | Stack Washer | Stack Washer | Stack Washer | Stack Washer |
| 39 | Bushing | Bushing | Bushing | Bushing |
| 40 | Nut, shaft | Nut, shaft | Nut, shaft | Nut, shaft |
| 42 | Spacer | Spacer | Spacer | Spacer |
| 42A | Spacer | Spacer | Spacer | Spacer |
| 42B | Spacer | Spacer | Spacer | Spacer |
| 42C | Spacer | Spacer | Spacer | Spacer |
| 43 | Coupling Assembly | Coupling Assembly | Coupling Assembly | Coupling Assembly |
| 44 | Coupling Half | Coupling Half | Coupling Half | Coupling Half |
| 47 | Strap | Strap | Strap | Strap |
| 48 | Sleeve | Sleeve | Sleeve | Sleeve |
| 50 | Motor Stool Adapter | Motor Stool Adapter | Motor Stool Adapter | Motor Stool Adapter |
| 54 | Coupling Guard | Coupling Guard | Coupling Guard | Coupling Guard |
| 56 | n/a | Pump Head | n/a | Pump Head |
| 57 | Mechanical Seal Assembly | Mechanical Seal Assembly | Mechanical Seal Assembly | Mechanical Seal Assembly |
| 59 | Base | Base | Base | Base |
| 61 | n/a | Connecting Flange | n/a | Connecting Flange |
| 62 | n/a | Base Plate | n/a | Base Plate |
| 63 | Drain Plug | Drain Plug | Drain Plug | Drain Plug |
| 64 | Vent Plug | Vent Plug | Vent Plug | Vent Plug |
| 65 | Pump Head Plug | Pump Head Plug | Pump Head Plug | Pump Head Plug |
| 66 | O-ring, Mechanical Seal | O-ring, Mechanical Seal | O-ring, Mechanical Seal | O-ring, Mechanical Seal |
| 69 | Screw, Mechanical Seal | Screw, Mechanical Seal | Screw, Mechanical Seal | Screw, Mechanical Seal |
| 70 | Bolt, strap | Bolt, strap | Bolt, strap | Bolt, strap |
| 71 | Washer, strap | Washer, strap | Washer, strap | Washer, strap |
| 72 | Shaft Pin | Shaft Pin | Shaft Pin | Shaft Pin |
| 73 | Bolt, Coupling | Bolt, Coupling | Bolt, Coupling | Bolt, Coupling |
| 74 | Bolt, Motor | Bolt, Motor | Bolt, Motor | Bolt, Motor |
| 75 | Screw, Coupling Guard | Screw, Coupling Guard | Screw, Coupling Guard | Screw, Coupling Guard |
| 76 | O-ring, Vent & Drain Plug | O-ring, Vent & Drain Plug | O-ring, Vent & Drain Plug | O-ring, Vent & Drain Plug |
| 77 | Staybolt Nut | Staybolt Nut | Staybolt Nut | Staybolt Nut |
| 78 | Staybolt Washer | Staybolt Washer | Staybolt Washer | Staybolt Washer |
| 80 | Stack Bumper | Stack Bumper | Stack Bumper | Stack Bumper |
| 81 | Staybolt | Staybolt | Staybolt | Staybolt |
| 82 | O-ring, Sleeve | O-ring, Sleeve | O-ring, Sleeve | O-ring, Sleeve |
| 83 | O-ring, Drain Plug | O-ring, Drain Plug | O-ring, Drain Plug | O-ring, Drain Plug |
| 86 | n/a | Flange Retaining Ring | n/a | Flange Retaining Ring |
| 95 | Stack Height Gauge | Stack Height Gauge | Stack Height Gauge | Stack Height Gauge |

PARTS LIST

| CAST IRON MODELS | STAINLESS MODELS |
|------------------|------------------|
| BVM33 | BVM(I/X)33 |
| BVM45 | BVM(X)45 |
| BVM64 | BVM(X)64 |
| BVM90 | BVM(X)90 |



PARTS LIST

| COMPONENT | BVM33, BVM45, BVM64, BVM90 | BVMI33, BVMX33, BVMX45, BVMX64, BVMX90 |
|-----------|----------------------------|--|
| 11 | Diffuser, Top | Diffuser, Top |
| 12 | Diffuser, Normal | Diffuser, Normal |
| 13 | Diffuser, with Bearing | Diffuser, with Bearing |
| 16 | Bearing Sleeve | Bearing Sleeve |
| 18 | Impeller | Impeller |
| 21 | Collet | Collet |
| 22 | Collet Nut | Collet Nut |
| 30 | Strap Retainer | Strap Retainer |
| 36 | Pump Head | Pump Head |
| 37 | Shaft | Shaft |
| 38 | Spring Washer | Spring Washer |
| 39 | Clamp Washer | Clamp Washer |
| 40 | Bolt, shaft | Bolt, shaft |
| 41 | Bearing, base, inner | Bearing, base, inner |
| 42 | Bearing, base, outer | Bearing, base, outer |
| 43 | Coupling Assembly | Coupling Assembly |
| 44 | Coupling Half | Coupling Half |
| 47 | Strap | Strap |
| 48 | Sleeve | Sleeve |
| 53 | Motor Stool | Motor Stool |
| 54 | Coupling Guard | Coupling Guard |
| 57 | Mechanical Seal Assembly | Mechanical Seal Assembly |
| 59 | Base | Base |
| 61 | Connecting Flange | Connecting Flange |
| 62 | n/a | Base Plate |
| 64 | Vent Plug | Vent Plug |
| 65 | Plug, base | Plug, base |
| 66 | O-ring, Mechanical Seal | O-ring, Mechanical Seal |
| 69 | Screw, Mechanical Seal | Screw, Mechanical Seal |
| 70 | Bolt, strap | Bolt, strap |
| 71 | Washer, strap | Washer, strap |
| 73 | Bolt, Coupling | Bolt, Coupling |
| 74A | Bolt, Pump Head | Bolt, Pump Head |
| 75 | Screw, Coupling Guard | Screw, Coupling Guard |
| 76 | O-ring, Vent & Drain Plug | O-ring, Vent & Drain Plug |
| 77 | Staybolt Nut | Staybolt Nut |
| 78 | Staybolt Washer | Staybolt Washer |
| 80 | Stack Bumper | Stack Bumper |
| 81 | Staybolt | Staybolt |
| 82 | O-ring, Sleeve | O-ring, Sleeve |
| 86 | Flange Retaining Ring | Flange Retaining Ring |
| 87 | Washer | Washer |
| 88 | Nut | Nut |
| 92 | Bolt, Motor | Bolt, Motor |
| 95 | Stack Height Gauge | Stack Height Gauge |

TROUBLESHOOTING

TROUBLESHOOTING

▲ WARNING Risk of electrical shock and possible unexpected starts. Disconnect all power to the pump before servicing or working on pump. Make sure that power is locked out and that pump cannot be accidentally started.

| SYMPTOM | CAUSE |
|---------------------------|--|
| Pump does not operate. | <ol style="list-style-type: none"> 1. Check that unit is securely plugged into outlet, or wired to controller or switch box. 2. Check to be sure you have electrical power and ensure that the piggyback plugs are tight. 3. Check that liquid fluid level is high enough to activate switch or controller. 4. Check to be sure that 1/8" (3 mm) vent hole in discharge pipe is not plugged. 5. Check for blockage in pump inlet, impeller, check valve or discharge pipe. 6. Disconnect the pump from the power source for a minimum of 30 minutes to allow the motor to cool and to protect yourself from sudden starts. See Warning above. Check for the cause of overheating: pump running dry because the float switch is caught up on something; inlet pipe is plugged; outlet pipe is plugged 7. Motor windings may be open. Take unit to authorized service center. |
| Pump fails to empty sump. | <ol style="list-style-type: none"> 1. Be sure all valves in discharge pipe are fully open. 2. Clean out discharge pipe and check valve. 3. Check for blockage in pump inlet or impeller. 4. Pump not sized properly. A higher capacity pump may be require. |
| Pump will not shutoff. | <ol style="list-style-type: none"> 1. Check switch or controller automatic floats for proper operation and location. See <i>Installation</i> section for switch/controller instructions. 2. If pump is completely inoperative or continues to malfunction, consult your local serviceman. |
| | |

WARRANTY

Limited Warranty

BERKELEY warrants to the original consumer purchaser ("Purchaser" or "You") of the products listed below, that they will be free from defects in material and workmanship for the Warranty Period shown below.

| Product | Warranty Period |
|---|--|
| Water Systems: | |
| Water Systems Products – jet pumps, small centrifugal pumps, submersible pumps and related accessories | <i>whichever occurs first:</i> 12 months from date of original installation, or 18 months from date of manufacture |
| Pro-Source™ Composite Tanks | 5 years from date of original installation |
| Pro-Source™ Steel Pressure Tanks | 5 years from date of original installation |
| Pro-Source™ Epoxy-Lined Tanks | 3 years from date of original installation |
| Sump/Sewage/Effluent Products | 12 months from date of original installation, or 18 months from date of manufacture |
| Agricultural/Commercial: | |
| Centrifugals – close-coupled motor drive, frame mount, SAE mount, engine drive, VMS, SSCX, SSHM, solids handling, submersible solids handling | 12 months from date of original installation, or 24 months from date of manufacture |
| Submersible Turbines, 6" diameter and larger | 12 months from date of original installation, or 24 months from date of manufacture |

Our limited warranty will not apply to any product that, in our sole judgement, has been subject to negligence, misapplication, improper installation, or improper maintenance. Without limiting the foregoing, operating a three phase motor with single phase power through a phase converter will void the warranty. Note also that three phase motors must be protected by three-leg, ambient compensated, extra-quick trip overload relays of the recommended size or the warranty is void.

Your only remedy, and BERKELEY's only duty, is that BERKELEY repair or replace defective products (at BERKELEY's choice). You must pay all labor and shipping charges associated with this warranty and must request warranty service through the installing dealer as soon as a problem is discovered. No request for service will be accepted if received after the Warranty Period has expired. This warranty is not transferable.

BERKELEY SHALL NOT BE LIABLE FOR ANY CONSEQUENTIAL, INCIDENTAL, OR CONTINGENT DAMAGES WHATSOEVER. THE FOREGOING LIMITED WARRANTIES ARE EXCLUSIVE AND IN LIEU OF ALL OTHER EXPRESS AND IMPLIED WARRANTIES, INCLUDING BUT NOT LIMITED TO IMPLIED WARRANTIES OF MERCHANTABILITY AND FITNESS FOR A PARTICULAR PURPOSE. THE FOREGOING LIMITED WARRANTIES SHALL NOT EXTEND BEYOND THE DURATION PROVIDED HEREIN.

Some states do not allow the exclusion or limitation of incidental or consequential damages or limitations on the duration of an implied warranty, so the above limitations or exclusions may not apply to You. This warranty gives You specific legal rights and You may also have other rights which vary from state to state.

This Limited Warranty is effective June 1, 2011 and replaces all undated warranties and warranties dated before June 1, 2011.

In the U.S.: BERKELEY, 293 Wright St., Delavan, WI 53115
In Canada: 269 Trillium Dr., Kitchener, Ontario N2G 4W5



293 WRIGHT STREET | DELAVAN, WI 53115 | PH: 866-973-6835 | ORDERS FAX: 800-321-8793 | PENTAIR.COM/BERKELEY

For a detailed list of where Pentair trademarks are registered, please visit www.pentair.com/en/registrations.html. Pentair trademarks and logos are owned by Pentair plc or its affiliates. Third party registered and unregistered trademarks and logos are the property of their respective owners. Because we are continuously improving our products and services, Pentair reserves the right to change specifications without prior notice. Pentair is an equal opportunity employer.

BE991 (03-15-20) ©2020 Pentair. All Rights Reserved.