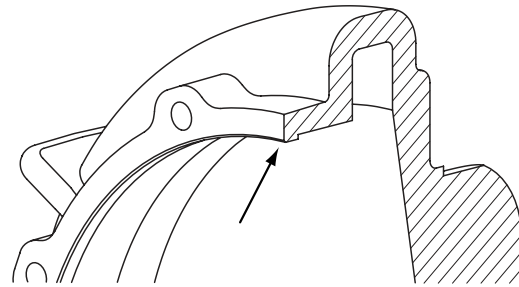
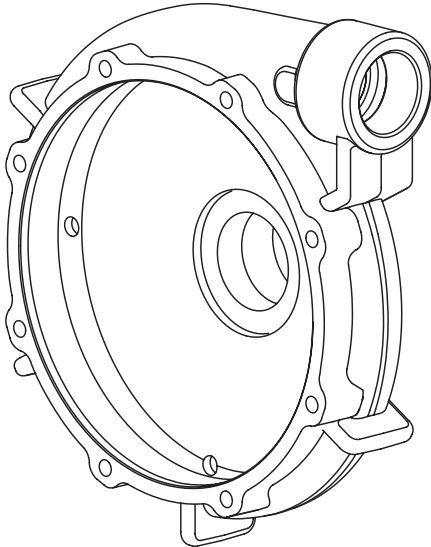


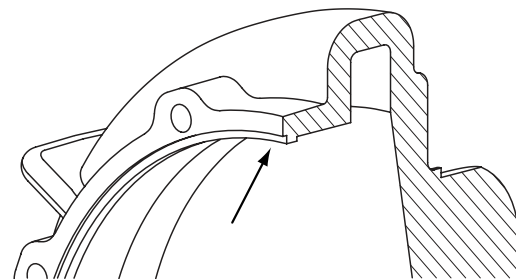
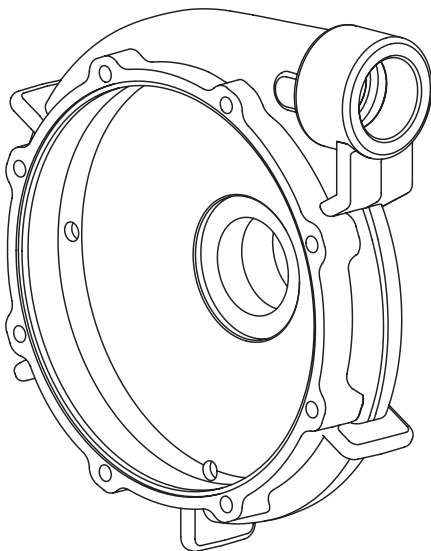
Section	SAE
Supplement	E
Date	March 4, 2013
Supersedes 07/01/11	

### Volute Sealing: Gasket Only



**Style 1:** There is a small chamfer along the back face of the volute, but no circumferential o-Ring groove. This volute can ONLY be sealed with a gasket.

### Volute Sealing: O-Ring or Gasket



**Style 2:** O-Ring groove machined into back face of volute. This volute can be sealed with a gasket or with an o-Ring.