

BERKELEY® B2ZQM

Cast Iron Impeller

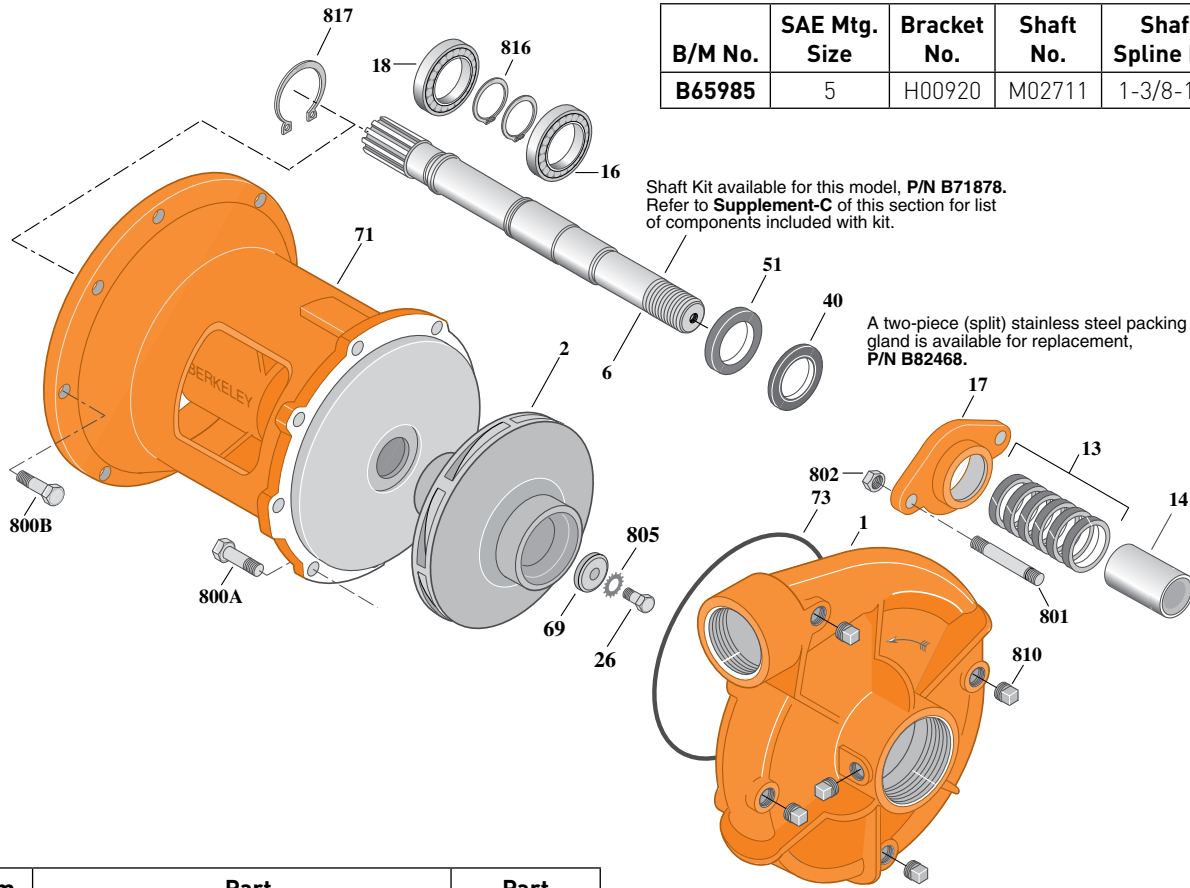
Threaded Case (NPT), Packing Construction

SAE ENGINE MOUNT

| | |
|---------------------|---------------|
| Section | SAE |
| Page | 30.1 |
| Date | March 4, 2013 |
| Supersedes 07/01/11 | |

Table I

| B/M No. | SAE Mtg. Size | Bracket No. | Shaft No. | Shaft Spline No. | Shaft Ext. |
|---------|---------------|-------------|-----------|------------------|------------|
| B65985 | 5 | H00920 | M02711 | 1-3/8-10T | 2-1/2" |



Shaft Kit available for this model, P/N B71878. Refer to Supplement-C of this section for list of components included with kit.

A two-piece (split) stainless steel packing gland is available for replacement, P/N B82468.

1952A 1210

| Item No. | Part Description | Part Number |
|----------|----------------------------------|-------------|
| 1 | Case, Volute | L01026 |
| 2 | Impeller | M01802 |
| 6 | Shaft [See Note] | See Table I |
| 13 | Ring, Packing [Set of 6] | S14022 |
| 14 | Sleeve, Shaft | S05127 |
| 16 | Bearing, Ball | S13270 |
| 17 | Gland, Packing [See Note] | S04948 |
| 18 | Bearing, Ball | S14059 |
| 26 | Screw, Impeller 3/8-16x1" | S23566 |
| 40 | Slinger, Water | S12260 |
| 51 | Seal, Oil | S14762 |
| 69 | Washer, Impeller | S06314 |
| 71 | Bracket | See Table I |
| 73 | O-Ring [See Note] | M14943 |
| 800A | Capscrew, Hex 3/8-16x1" [8 Req.] | S26826 |

| Item No. | Part Description | Part Number |
|----------|-------------------------------------|-------------|
| 800B | Capscrew, Hex 3/8-16x1-1/4"[7 Req.] | S26828 |
| 801 | Stud, 3/8-16x3" [2 Req.] | S04439 |
| 802 | Nut, Hex 3/8-16 [2 Req.] | S23343 |
| 805 | Washer, Lock | S23036 |
| 810 | Plug, Pipe 1/4 NPT [5 Req.] | S23715 |
| 816 | Ring, Retaining [2 Req.] | S23010 |
| 817 | Ring, Retaining | S24652 |
| • | Fitting, Grease | S23700 |

• Not illustrated.

NOTE: Also accepts gasket **S05126** as replacement for O-Ring. See **Supplement E** located at the beginning of this section.

