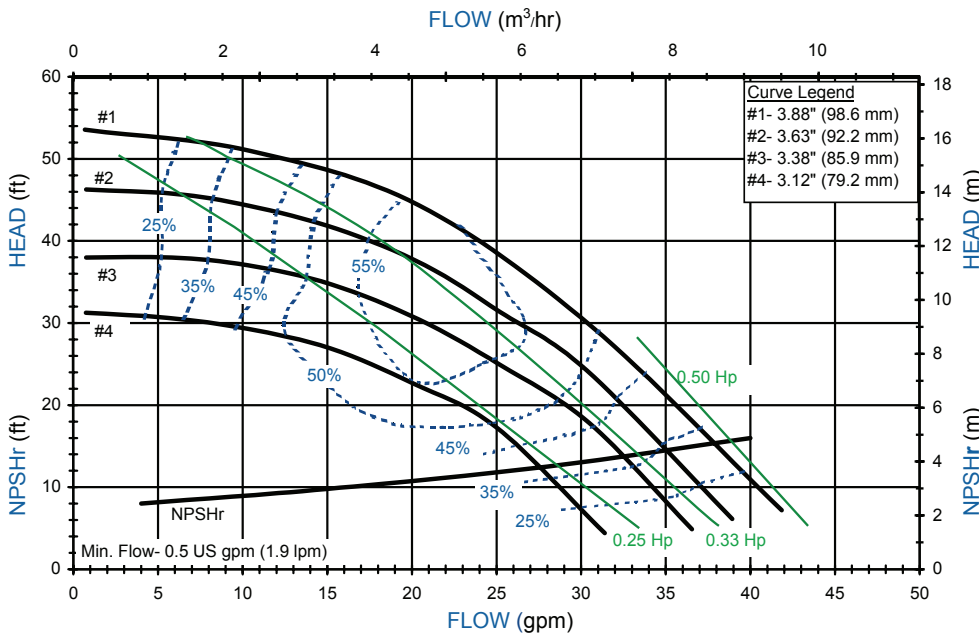
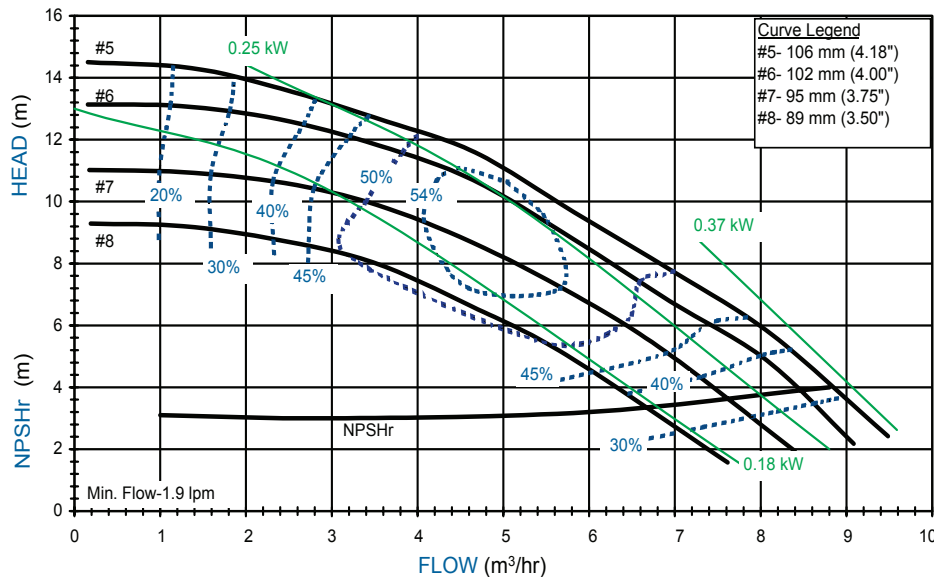


**DB6H PERFORMANCE 3450 RPM**



**DB6H PERFORMANCE 2900 RPM**



**FEATURES & CAPABILITIES**

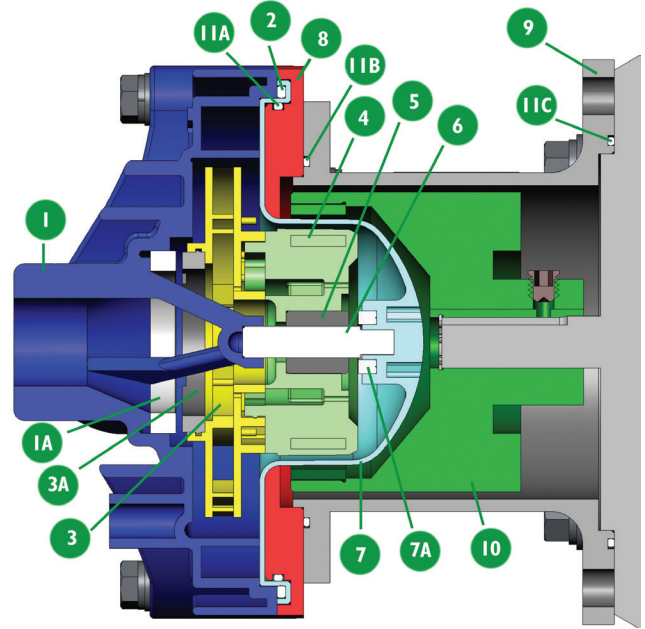
- + Five-year warranty
- + Extended run dry ability (with carbon bushing)
- + High operating efficiency
- + Polypropylene or PVDF construction
- + Powerful neodymium magnets
- + Close-coupled design
- + Threaded (NPT or BSP), flanged, or union connections
- + Horizontal or vertical installation with IEC motor
- + Back pullout design
- + Mounts to NEMA and IEC (B5 & B14) motor frames
- + Easy set measurement free drive
- + ISO 1940 G2.5 balancing
- + CE certified/ATEX available
- + Working pressure to 80 psi (5.5 bar)
- + Specific gravity over 1.8
- + Viscosity up to 150 cP
- + Polypropylene—180° F (82° C)
- + PVDF—220° F (104° C)

**APPLICATIONS**

- + Chemical processing
- + Plating
- + Water and wastewater
- + Electronics
- + Pharmaceuticals
- + Wet scrubber
- + Pulp and paper
- + Heat exchanger
- + and many more!

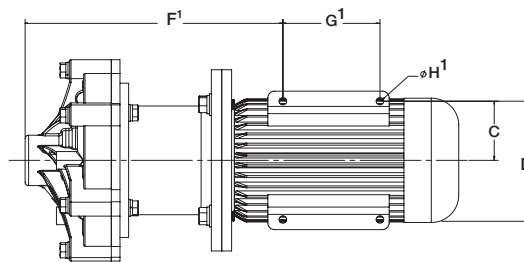
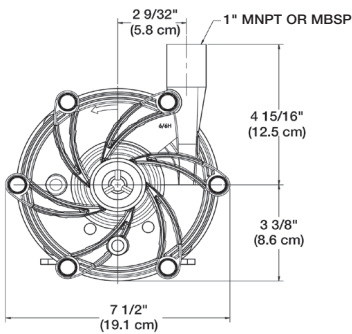
**Specifications**

| Description                               | Polypropylene   | PVDF   |
|---|---|--|
| 1 Impeller housing                        | Glass-fiber reinforced polypropylene (GF PP)                        | Carbon-fiber reinforced PVDF (CF PVDF)                     |
| 1A Impeller housing thrust ring           | High purity alumina ceramic or silicon carbide (SiC)                |  |
| 2 O-ring                                  | FKM, EPDM, Simriz®, or Kalrez                                       |  |
| 3 Impeller                                | GF PP   | CF PVDF  |
| 3A Impeller thrust ring                   | GF molybdenum disulfide filled PTFE or SiC                          |  |
| 4 Inner drive                             | Neodymium iron boron magnets encapsulated in unfilled polypropylene | Neodymium iron boron magnets encapsulated in unfilled PVDF |
| 5 Bushing                                 | Carbon, PTFE, high purity alumina ceramic, or SiC                   |  |
| 6 Shaft                                   | High purity alumina ceramic, Hastelloy® C, or SiC                   |  |
| 7 Barrier                                 | GF PP   | CF PVDF  |
| 7A Barrier thrust ring                    | Silicon carbide   |  |
| 8 Clamp ring                              | Ductile iron  |  |
| 9 Motor adapter                           | GF PP   |  |
| 10 Outer drive magnet                     | Nickel-plated neodymium iron boron magnets/steel                    |  |
| 11A Motor adapter sealing kit (NEMA only) | Buna N  |  |
| 11B                                       |   |  |
| 11C                                       |   |  |

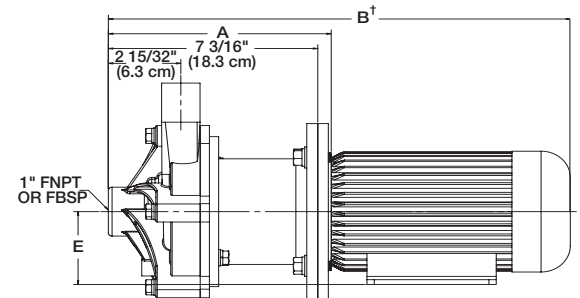


Kalrez® is a registered trademark of DuPont Performance Elastomers  
Simriz® Perfluoroelastomer is a registered trademark of the Simrit® division of Freudenberg-NOK  
Hastelloy® C is a registered trademark of Haynes International, Inc.

**Dimensions**



¹Dimensions for F, G, and H can be found in the Outline Dimensions booklet in the Downloads section of [www.finishthompson.com](http://www.finishthompson.com).



Also available 1" x 1" 150 lb. ANSI/ISO PN20/PN40/JIS 10K or 32mm x 32mm union connection. Flanges are in compliance with bolting dimensions only.

| Motor Frame        | A                 | B†                  | C                 | D                  | E                 | lbs. [kg] PP | lbs. [kg] PVDF |
|--------------------|-------------------|---------------------|-------------------|--------------------|-------------------|--------------|----------------|
| NEMA 56C           | 7-3/16" [18.3 cm] | 17-7/16" [44.3 cm]  | 2-7/16" [6.2 cm]  | 4-7/8" [12.4 cm]   | 3-1/2" [8.9 cm]   | 10.5 [4.8]   | 11.1 [5.0]     |
| NEMA 145TC         | 7-3/16" [18.3 cm] | 17 15/16" [45.6 cm] | 2-3/4" [7.0 cm]   | 5-1/2" [14.0 cm]   | 3-1/2" [8.9cm]    | 10.5 [4.8]   | 11.1 [5.0]     |
| IEC 63 w/B14 or B5 | 7-5/8" [19.4 cm]  | 14-7/8" [37.8 cm]   | 1-31/32" [5.0 cm] | 3-15/16" [10.0 cm] | 2-15/32" [6.3 cm] | 14.0 [6.4]   | 15.0 [6.8]     |
| IEC 71 w/B14 or B5 | 7-5/8" [19.4 cm]  | 15-13/16" [40.2 cm] | 2-7/32" [5.6 cm]  | 4-13/32" [11.2 cm] | 2-25/32" [7.1 cm] | 14.0 [6.4]   | 15.0 [6.8]     |

Dimensions and weights are for reference only. Weights listed are for pump only; motor not included.

†Varies with motor manufacturer.



**FINISH THOMPSON INC. - HEADQUARTERS**  
921 Greengarden Road | Erie, PA 16501  
800.934.9384 | ph 814.455.4478 | fx 814.455.8518  
email [fti@finishthompson.com](mailto:fti@finishthompson.com)

**FINISH THOMPSON INC. - EUROPE CENTER**  
Otto-Hahn-Strasse 16 | Maintal, D-63477 Germany  
49 (0)6181-90878-0 | fx 49 (0)6181-90878-18  
email [fti@finishthompson.com](mailto:fti@finishthompson.com)

**Order Online: [www.PumpCatalog.com](http://www.PumpCatalog.com)**