



# Model GB

**INSTALLATION, OPERATION AND MAINTENANCE INSTRUCTIONS**

## Table of Contents

SUBJECT	PAGE
Safety Instructions .....	3
Engineering Data.....	3
Piping.....	3
Wiring and Grounding .....	3
Rotation .....	3
Operation.....	4
Maintenance.....	4
Disassembly.....	4
Reassembly.....	4
Troubleshooting .....	5
GB Components Parts Table .....	6
Limited Warranty .....	7
Declaration of Conformity .....	21

### Owner's Information

Pump Model Number: \_\_\_\_\_

Pump Serial Number: \_\_\_\_\_

Dealer: \_\_\_\_\_

Dealer Phone No.: \_\_\_\_\_

Date of Purchase: \_\_\_\_\_

Date of Installation: \_\_\_\_\_

Current Readings at Startup:

1 Ø	3 Ø	L1-2	L2-3	L3-1
Amps: _____	Amps: _____	_____	_____	_____
Volts: _____	Volts: _____	_____	_____	_____

## SAFETY INSTRUCTIONS

**TO AVOID SERIOUS OR FATAL PERSONAL INJURY OR MAJOR PROPERTY DAMAGE, READ AND FOLLOW ALL SAFETY INSTRUCTIONS IN MANUAL AND ON PUMP.**

**THIS MANUAL IS INTENDED TO ASSIST IN THE INSTALLATION AND OPERATION OF THIS UNIT AND MUST BE KEPT WITH THE PUMP.**



This is a SAFETY ALERT SYMBOL. When you see this symbol on the pump or in the manual, look for one of the following signal words and be alert to the potential for personal injury or property damage.

**⚠ DANGER** Warns of hazards that **WILL** cause serious personal injury, death or major property damage.

**⚠ WARNING** Warns of hazards that **CAN** cause serious personal injury, death or major property damage.

**⚠ CAUTION** Warns of hazards that **CAN** cause personal injury or property damage.

**NOTICE:** INDICATES SPECIAL INSTRUCTIONS WHICH ARE VERY IMPORTANT AND MUST BE FOLLOWED.

**THOROUGHLY REVIEW ALL INSTRUCTIONS AND WARNINGS PRIOR TO PERFORMING ANY WORK ON THIS PUMP.**

**MAINTAIN ALL SAFETY DECALS.**

### ⚠ WARNING



Hazardous fluids can cause fire, burns or death.

**UNIT NOT DESIGNED FOR USE WITH HAZARDOUS LIQUIDS OR FLAMMABLE GASES. THESE FLUIDS MAY BE PRESENT IN CONTAINMENT AREAS.**

## DESCRIPTION and SPECIFICATIONS:

The GB Series pump is a portable horizontal multi-stage pump designed for residential and agricultural wash-down, misting and general boosting services.

The 304 stainless steel version of the GB is used for HVAC, general commercial, reverse osmosis and filtration applications.

## ENGINEERING DATA

- Maximum Liquid Temperatures: 160°F (72°C).
- Maximum Suction Pressure 75 psi.
- Pipe connections are 1" NPT suction and discharge. 3/4" Hose Adapters are available.
- Capacities to 33 GPM.
- Heads to 600 Feet (260) psi.
- Rotation: Right hand, ie; clockwise when viewed from motor end.

## PIPING

- Piping should be no smaller than the pump discharge and/or suction connections. Piping should be kept as short as possible, avoiding unnecessary fittings to minimize friction losses.
- All piping **MUST** be independently supported and **MUST NOT** place any piping loads on the pump.
- All joints **MUST** be airtight. Use 3 – 4 wraps of Teflon™ tape to seal threaded connections.

## WIRING AND GROUNDING



**⚠** Install ground and wire according to local and National Electrical Code requirements.

**⚠** Install an all leg disconnect switch near the pump.

**⚠** Disconnect and lockout electrical supply before installing or servicing pump.

**⚠** Electrical supply **MUST** match pump's name plate specifications. Incorrect voltage can cause fire and/or damage to the motor and voids warranty.

**⚠** Motors not protected **MUST** be provided with contactors and thermal overloads on single phase motors, or starters with heaters on three phase motors. See motor nameplate.

- Use only stranded copper wire to motor and ground. The ground wire **MUST** be at least as large as the wire to the motor. Wires should be color coded for ease of maintenance.

**⚠ WARNING** Pumps with open spray application must be plugged into electrical service which is protected by a Ground Fault Service Interrupter. Failure to do so may result in serious personal injury or death and property damage.

- Follow motor manufacturer's wiring diagram on the motor nameplate or terminal cover carefully.



**FAILURE TO PERMANENTLY GROUND THE PUMP, MOTOR AND CONTROLS BEFORE CONNECTING TO ELECTRICAL POWER CAN CAUSE SHOCK, BURNS OR DEATH.**

## ROTATION

**NOTICE:** INCORRECT ROTATION MAY CAUSE DAMAGE TO PUMP AND VOIDS THE WARRANTY.

- Correct rotation is right-hand, **CLOCKWISE** when viewed from the motor end.
- To reverse three phase motor rotation interchange any two power supply leads.

## OPERATION



**SPLASHING OR IMMERSING OPEN DRIP PROOF MOTORS IN FLUIDS CAN SHORT OUT MOTOR AND CAUSE FIRE, SHOCK, BURNS OR DEATH.**

**NOTICE: PUMP MUST BE FULLY PRIMED BEFORE OPERATION. DO NOT RUN PUMP DRY.**

- After stabilizing the system at normal operating conditions, check the piping. If necessary, adjust the pipe supports.



Do not run pump dry; damage to mechanical seal will result. Do not run against closed nozzle for prolonged periods or damage to pump and piping will result.

### HANDLE ASSEMBLY

Remove two top bolts from motor adapter. Insert them through handle back into the motor adapter and tighten securely.

### NOZZLING

It is important to choose the right nozzle for proper pump performance. The faucet supplying the water to the pump should be checked to see what rate of flow it will furnish. If the one min. flow with the faucet open is:

- |   |            |
|---|------------|
| 7 gals. — Use 6 gpm nozzle V2005<br>(which is included with each AM2) | } AM 7 Kit |
| 6 gals. — Use 5 gpm nozzle V1502                                      |            |
| 5 gals. — Use 4 gpm nozzle SN0045                                     |            |
| 4 gals. — Use 3 gpm nozzle V10152                                     |            |

By using this method of choosing nozzles we can keep a positive pressure at the pump intake. This will keep the pump from “robbing” water from other faucets.

### DAIRY FARM USE

We recommend that all WaterGuns® used on farms producing Grade “A” milk be equipped with a Vacuum Breaker, installed according to instructions supplied with Vacuum Breaker. This prevents sub-atmospheric pressure in the supply line even if the water supply should diminish. We suggest the WaterGun be hung on a wall at least 18" off the floor and that a hose rack be provided to store the discharge hose off the floor.

## MAINTENANCE



**FAILURE TO DISCONNECT AND LOCKOUT ELECTRICAL POWER BEFORE ATTEMPTING ANY MAINTENANCE CAN CAUSE SHOCK, BURNS OR DEATH.**

- Motors have permanently lubricated bearings. No lubrication is possible or necessary. Follow the motor manufacturer’s recommendations for maintenance.

- To **REMOVE** pump from service drain all pumpage from pump and piping.
- To **RETURN** pump to service replace all plugs and piping using Teflon™ tape or equivalent on male threads.
- Refer to “**OPERATION**” section of manual.

## DISASSEMBLY

- Place wrenches on adapter (13) and discharge head (1), and unscrew discharge head and casing (3).

**NOTE: CASING HAS A LEFT HAND THREAD ON BOTH ENDS AND IS SEALED WITH O-RINGS (2).**

- Remove klip ring (6) from end of shaft (11). The stages, each comprising a bowl (9), impeller (8) and diffuser (7) may now be removed. If pump has been clogged by foreign matter, but otherwise undamaged, further dismantling may be unnecessary. If shaft assembly (11), shaft seal (12) or motor are to be replaced, proceed as follows:
  - Remove plug (18) from rear of motor and hold motor shaft with screwdriver. Unscrew pump shaft coupling assembly (11) from motor shaft. Remove four motor mounting bolts (14), separate the motor from frame by withdrawing it straight back.
  - Motor may have to be pried with two screwdrivers if the shaft seal sticks. The shaft seal stationary seat may be pushed out of adapter from the motor side. There is a rubber coupling o-ring (19) between motor shaft and coupling which will usually remain on the motor shaft as the seal is pulled over it.

## REASSEMBLY

Check that the rubber deflector (20) and the coupling o-ring (19) are on the motor shaft. If they are worn or damaged, replace. Install stationary seal seat in frame (13) and mount frame (13) and handle (15) to motor. Install seal rotating element, making sure faces are clean and that the last rubber member goes over the coupling o-ring and onto the motor shaft. Screw the pump shaft and coupling assembly (11) on until it seats up against the motor shaft. With a straight edge across the face of the frame check the location of the outboard end of the coupling. Due to variations in motor shaft length, etc., it will be from .030" short to flush. Add .010" shims 7K155 until they are flush or higher, i.e., the last shim interferes with the straight edge. Put the required stages on checking each stage for additional shim requirements by putting the straight edge across the bowl and checking the location of the impeller hub. After all the stages are on the shaft replace klip ring (6).

Check o-ring on both frame and discharge head and replace if damaged. Install casing (3) and bearing spider (4). Thread on discharge head (1) (Notice: left hand threads) and tighten.

With screwdriver in the slotted end of the pump shaft, turn the unit over (clockwise) before replacing plug (18). It should turn with no resistance except that of the shaft seal.

## TROUBLESHOOTING



**FAILURE TO DISCONNECT AND LOCKOUT ELECTRICAL POWER BEFORE ATTEMPTING ANY MAINTENANCE CAN CAUSE SHOCK, BURNS OR DEATH.**

## SYMPTOM

### MOTOR NOT RUNNING

See Probable Causes 1 thru 5

### LITTLE OR NO LIQUID DELIVERED

See Probable Causes 6 thru 12

### EXCESSIVE POWER CONSUMPTION

See Probable Causes 3, 12, 13 & 14

### EXCESSIVE NOISE & VIBRATION

See Probable Causes 3, 6, 7, 10, 13, 15 & 16

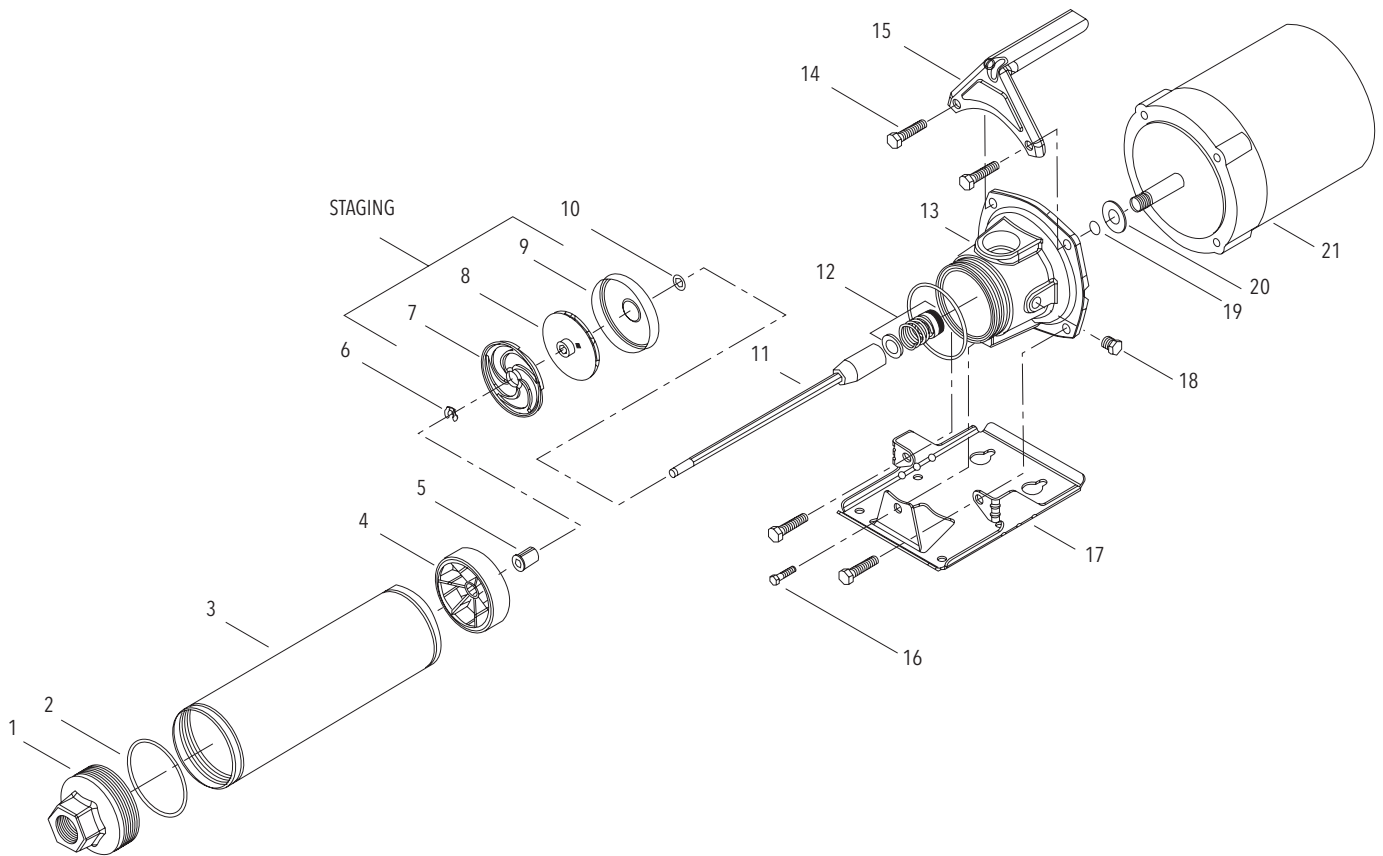
## PROBABLE CAUSES

1. Motor thermal protector tripped
2. Open circuit breaker or blown fuse
3. Impeller binding
4. Motor improperly wired
5. Defective motor
6. Pump is not primed, air or gases in pumpage
7. Discharge, suction plugged or valve closed
8. Incorrect rotation (3 phase only)
9. Low voltage or phase loss
10. Impeller worn or plugged with debris
11. System head too high
12. Incorrect impeller diameter
13. Discharge head too low — excessive flow rate
14. Fluid viscosity and/or specific gravity too high
15. Worn bearing
16. Pump, motor or piping loose

# GB COMPONENTS PARTS TABLE

Item No.	Description	Materials
1	Discharge Head	Cast Iron
2	O-ring, Casing	BUNA
3	Casing	304SS
4	Bearing Spider	Glass Filled Polycarbonate
5	Bearing	Urethane
6	Klip Ring	301SS
7	Diffuser	Glass Filled Polycarbonate
8	Impeller	Glass Filled Polycarbonate
9	Bowl	304SS

Item No.	Description	Materials
10	Shim	304SS
11	Shaft/Coupling Assembly	304SS
12	Mechanical Seal	Varies
13	Motor Adapter	Cast Iron
14	Screw, Motor Adapter to Motor	Steel
15	Handle - optional	Steel
16	Screw, Base to Motor Adapter	Steel
17	Base	Steel
18	Pipe Plug	Steel
19	O-ring, Motor Shaft	BUNA
20	Deflector	BUNA
21	Motor	Motor Shaft 300SS



### GOULDS WATER TECHNOLOGY LIMITED WARRANTY

This warranty applies to all water systems pumps manufactured by Goulds Water Technology.

Any part or parts found to be defective within the warranty period shall be replaced at no charge to the dealer during the warranty period. The warranty period shall exist for a period of twelve (12) months from date of installation or eighteen (18) months from date of manufacture, whichever period is shorter.

A dealer who believes that a warranty claim exists must contact the authorized Goulds Water Technology distributor from whom the pump was purchased and furnish complete details regarding the claim. The distributor is authorized to adjust any warranty claims utilizing the Goulds Water Technology Customer Service Department.

**The warranty excludes:**

- (a) Labor, transportation and related costs incurred by the dealer;
- (b) Reinstallation costs of repaired equipment;
- (c) Reinstallation costs of replacement equipment;
- (d) Consequential damages of any kind; and,
- (e) Reimbursement for loss caused by interruption of service.

**For purposes of this warranty, the following terms have these definitions:**

- (1) "Distributor" means any individual, partnership, corporation, association, or other legal relationship that stands between Goulds Water Technology and the dealer in purchases, consignments or contracts for sale of the subject pumps.
- (2) "Dealer" means any individual, partnership, corporation, association, or other legal relationship which engages in the business of selling or leasing pumps to customers.
- (3) "Customer" means any entity who buys or leases the subject pumps from a dealer. The "customer" may mean an individual, partnership, corporation, limited liability company, association or other legal entity which may engage in any type of business.

**THIS WARRANTY EXTENDS TO THE DEALER ONLY.**



Xylem, Inc.  
2881 East Bayard Street Ext., Suite A  
Seneca Falls, NY 13148  
Phone: (800) 453-6777  
Fax: (888) 322-5877  
[www.xylem.com/brands/gouldswatertechnology](http://www.xylem.com/brands/gouldswatertechnology)

Goulds is a registered trademark of Goulds Pumps, Inc. and is used under license.  
© 2012 Xylem Inc. IM055 Revision Number 3 July 2012



# Modelo GB

**INSTRUCCIONES DE INSTALACIÓN, FUNCIONAMIENTO Y MANTENIMIENTO**



<b>TEMA</b>	<b>PÁGINA</b>
Instrucciones de Seguridad .....	10
Datos de Ingeniería .....	10
Tubería .....	10
Cableado y Puesta a Tierra .....	10
Rotación.....	11
Operación .....	11
Mantenimiento.....	11
Desmontaje .....	11
Reensamblaje.....	12
Identificación y Resolución de Problemas .....	12
Componentes de las bombas LB .....	13
Garantía Limitada .....	14
Declaración de Conformidad.....	21

Información para el propietario

Número de modelo de la bomba: \_\_\_\_\_

Número de serie de la bomba: \_\_\_\_\_

Representante: \_\_\_\_\_

Número telefónico del representante: \_\_\_\_\_

Fecha de compra: \_\_\_\_\_

Fecha de Instalación: \_\_\_\_\_

Lecturas actuales de la puesta en servicio:

1 Ø	3 Ø	L1-2	L2-3	L3-1
Amps: _____	Amps: _____	_____	_____	_____
Voltios: _____	Voltios: _____	_____	_____	_____

## INSTRUCCIONES DE SEGURIDAD

**PARA EVITAR LESIONES PERSONALES GRAVES O FATALES, Y DAÑOS SIGNIFICATIVOS A LA PROPIEDAD, LEA Y SIGA TODAS LAS INSTRUCCIONES DE SEGURIDAD QUE SE ENCUENTRAN EN ESTE MANUAL O EN LA BOMBA.**

**ESTE MANUAL TIENE LA FUNCIÓN DE ASISTIRLO EN LA INSTALACIÓN Y OPERACIÓN DE ESTA UNIDAD Y DEBE CONSERVARSE CON LA BOMBA.**



Éste es un **SÍMBOLO DE ALERTA DE SEGURIDAD**. Cuando vea este símbolo sobre la bomba o en el manual, localice una de las siguientes palabras de señalización y esté alerta ante posibles lesiones personales o daños a la propiedad.



Advierte sobre los peligros que **PROVOCARÁN** lesiones graves, muerte o daños significativos a la propiedad.



Advierte sobre los peligros que **PUEDEN PROVOCAR** lesiones graves, muerte o daños significativos a la propiedad.



Advierte sobre los peligros que **PROVOCARÁN** o **PUEDEN PROVOCAR** lesiones o daños a la propiedad.

**AVISO: INDICA QUE EXISTEN INSTRUCCIONES ESPECIALES MUY IMPORTANTES QUE DEBEN RESPETARSE.**

**EXAMINE COMPLETAMENTE TODAS LAS INSTRUCCIONES Y ADVERTENCIAS ANTES DE REALIZAR CUALQUIER TRABAJO EN ESTA BOMBA. CONSERVE TODAS LAS CALCOMANÍAS.**



**ESTA UNIDAD NO SE ENCUENTRA DISEÑADA PARA SER USADA CON LÍQUIDOS O GASES INFLAMABLES. ESTOS FLUIDOS PUEDEN ESTAR PRESENTES EN ÁREAS CONTAMINADAS.**

## DESCRIPCIÓN Y ESPECIFICACIONES

Las bombas de la Serie GB son bombas portátiles horizontales de etapas múltiples diseñadas para lavados residenciales y agrícolas, aplicaciones de rociado y servicios de refuerzo en general.

La versión en acero inoxidable 304 se utiliza en la industria de la calefacción y el acondicionamiento de aire, de filtración y ósmosis inversa y en aplicaciones comerciales en general.

## DATOS DE INGENIERÍA

- Temperatura máxima del líquido: 160°F (72°C)
- Presión máxima de succión: 75 psi
- Las conexiones para la tubería son NPT de 1 pulgada en la succión y la descarga. Se encuentran disponibles adaptadores para mangueras de 3/4 de pulgada.
- Capacidad hasta 33 GPM

- Carga hasta 600 pies (260 psi)
- Rotación: Hacia la derecha, es decir, en el sentido de las agujas del reloj cuando se observa desde el extremo del motor.

## TUBERÍA

- La tubería no debe ser menor que las conexiones de descarga o succión de la bomba. Se debe mantener tan corta como sea posible, evitando el uso de conexiones innecesarias para minimizar las pérdidas por fricción.
- Toda la tubería **DEBE** estar soportada en forma independiente y **NO DEBE** existir ninguna carga de la tubería sobre la bomba.
- Todas las juntas **DEBEN** ser herméticas. Utilizar 3 ó 4 vueltas de cinta de Teflon™ para sellar las conexiones roscadas.

## CABLEADO Y PUESTA A TIERRA



Instalar el cableado y la puesta a tierra de acuerdo a los requisitos locales y al Código Eléctrico Nacional.



Instalar un interruptor de desconexión de todos los circuitos cerca de la bomba.



Desconectar y bloquear el suministro eléctrico antes de instalar la bomba o realizar tareas de mantenimiento.



El suministro eléctrico **DEBE** ser el que se especifica en la placa nominal de la bomba. Un voltaje incorrecto puede provocar un incendio y/o dañar el motor y anular la garantía.



Los motores sin protección **DEBEN** equiparse con contactores y protectores contra sobrecargas térmicas si son monofásicos, o con arrancadores con calentadores si son trifásicos. Consulte la placa nominal del motor.

- Use únicamente cable trenzado de cobre para la conexión al motor y a tierra. El cable a tierra **DEBE** ser por lo menos del mismo tamaño que el cable al motor. Los cables deben estar codificados con colores para facilitar el mantenimiento.



Las bombas en aplicaciones de rociado abierto deben enchufarse en una fuente de suministro eléctrico protegida por un interruptor de servicio por falla a tierra. De no hacerlo, podrían ocasionarse lesiones personales graves o fatales y daños materiales.

- Siga cuidadosamente el diagrama de cableado indicado por el fabricante del motor en la placa nominal o en la tapa de la terminal.



SI LA BOMBA, EL MOTOR Y LOS CONTROLES NO SE CONECTAN A TIERRA EN FORMA PERMANENTE ANTES DE CONECTAR LA ALIMENTACIÓN ELÉCTRICA, SE PUEDEN PRODUCIR SACUDIDAS ELÉCTRICAS, QUEMADURAS Y HASTA LA MUERTE.

## ROTACIÓN

**AVISO:** LA ROTACIÓN INCORRECTA PUEDE DAÑAR LA BOMBA Y ANULA LA GARANTÍA.

- La rotación correcta es hacia la derecha, en el **SENTIDO DE LAS AGUJAS DEL RELOJ** cuando se mira desde el extremo del motor.
- Para invertir la rotación de un motor trifásico, intercambie dos conductores eléctricos cualesquiera.

## OPERACIÓN



SI SE SALPICA O SUMERGE EN FLUIDOS UN MOTOR ABIERTO A PRUEBA DE FILTRACIONES PUEDE OCURRIR UN CORTOCIRCUITO Y PROVOCARSE UN INCENDIO, SACUDIDAS ELÉCTRICAS, QUEMADURAS, O INCLUSO LA MUERTE.

**AVISO:** LA BOMBA DEBE ESTAR TOTALMENTE CERRADA ANTES DE INICIAR LA OPERACIÓN. NO OPERAR LA BOMBA EN SECO.

- Luego de estabilizar el sistema en las condiciones normales de operación, controlar la tubería. Si fuera necesario, ajustar los soportes de la tubería.



No operar la bomba en seco, se dañará el sello mecánico. No operar contra una tobera cerrada por períodos de tiempo prolongados pues se dañarán la bomba y la tubería.

## ENSAMBLE DE LA MANIJA

Retirar los dos pernos superiores del adaptador del motor. Insertarlos a través de la parte posterior de la manija en el adaptador del motor y ajustarlos seguramente.

## TOBERAS

Es importante seleccionar la tobera apropiada para el correcto desempeño de la bomba. Se debe examinar el grifo que sirve de agua a la bomba para determinar la velocidad del flujo que proveerá. Si el flujo de un minuto con el grifo abierto es:

- |  |               |
|--|---------------|
| 7 galones — Usar la tobera V2005 de 6 gpm<br>(que se incluye con cada AM2) | } AM<br>7 Kit |
| 6 galones — Usar la tobera V1502 de 5 gpm                                  |               |
| 5 galones — Usar la tobera SN0045 de 4 gpm                                 |               |
| 4 galones — Usar la tobera V10152 de 3 gpm                                 |               |

Utilizando este método para seleccionar las toberas es posible mantener una presión positiva en la admisión de la bomba. Esto evitará que la bomba “robe” agua de otros grifos.

## USO EN GRANJAS LECHERAS

Recomendamos que todas las pistolas WaterGuns® que se utilizan en granjas que producen leche grado “A” se equipen con un igualador de presión instalado de acuerdo a las instrucciones que acompañan a este dispositivo. Esto evitará la presión subatmosférica en la línea de suministro aún cuando el suministro de agua disminuya. Sugerimos colgar la pistola WaterGun de la pared, a por lo menos 18 pulgadas del suelo, y contar con un soporte para mangueras de forma de poder guardar la manguera de descarga sin que esté en contacto con el piso.

## MANTENIMIENTO



SI NO SE DESCONECTA Y BLOQUEA EL SUMINISTRO ELÉCTRICO ANTES DE INTENTAR TAREAS DE MANTENIMIENTO, SE PUEDEN PRODUCIR SACUDIDAS ELÉCTRICAS, QUEMADURAS O INCLUSO LA MUERTE.

- Los motores tienen cojinetes lubricados en forma permanente. No es posible, ni necesario, lubricarlos. Siga las recomendaciones del fabricante para el mantenimiento.
- Para **RETIRAR** la bomba de servicio, desagote todo el líquido bombeado de la bomba y la tubería.
- Para **VOLVER A PONER** la bomba en servicio, reemplace todos los tapones y tubería utilizando cinta de Teflon™ o equivalente en las roscas macho.
- Consulte la sección “OPERACIÓN” de este manual.

## DESMONTAJE

- Coloque las llaves para tuercas en el adaptador (13) y el cabezal de descarga (1) y destornille el cabezal de descarga y la cubierta.

**NOTA:** LA CARCASA TIENE ROSCA IZQUIERDA EN AMBOS EXTREMOS Y ESTÁ SELLADA CON ANILLOS EN O (2).

- Retire el anillo de sujeción (6) del extremo del eje (11). Ahora puede retirar las etapas, consistentes cada una en un recipiente (9), un impulsor (8) y un difusor (7). Si la bomba se ha atascado con materia extraña pero no presenta otros daños, tal vez no sea necesario proseguir con el desmontaje. Si fuera necesario reemplazar el conjunto del eje (11), el sello del eje (12) o el motor, prosiga de acuerdo a las siguientes indicaciones:
  - Retire el tapón (18) de la parte posterior del motor y sostenga el eje del motor con un destornillador. Destornille el conjunto del acoplamiento del eje de la bomba (11) del eje del motor. Retire los cuatro pernos de montaje del motor (14) y separe

el motor del marco retirándolo directamente hacia atrás.

- Puede ser necesario palanquear el motor con dos destornilladores si el sello del eje se pega. El asiento estacionario del sello del eje puede empujarse fuera del adaptador desde el lado del motor. Hay un anillo en O de goma en el acoplamiento (19), entre el eje del motor y el acoplamiento, que generalmente permanece en el eje del motor mientras el sello se jala por encima de él.

## REENSAMBLAJE

Verifique que el deflector de goma (20) y el anillo en O del acoplamiento (19) estén sobre el eje del motor. Si están gastados o dañados, reemplácelos. Instale el asiento del sello estacionario en el bastidor (13) y monte el bastidor (13) y la manija (15) en el motor. Instale el elemento rotativo del sello, asegurándose de que las caras estén limpias y que el último miembro de goma pase sobre el anillo en O del acoplamiento hasta el eje del motor. Enrosque el conjunto del eje de la bomba y el acoplamiento (11) hasta que se asiente sobre el eje del motor. Con una regla atravesada sobre la cara del bastidor, verifique la ubicación del extremo exterior del acoplamiento. Debido a variaciones en la longitud del eje del motor, etc., el extremo se encontrará entre 0,030 pulgadas corto o a nivel. Agregue cuñas 7K155 de 0,010 pulgadas hasta que estén a nivel o sobresalgan, es decir, hasta que la última cuña interfiera con la regla. Coloque las etapas requeridas, controlando cada etapa con la regla atravesada sobre el recipiente y verificando la ubicación del cubo del impulsor para determinar si es necesario agregar cuñas. Una vez que todas las etapas estén sobre el eje, reemplace el anillo de sujeción (6).

Inspeccione el anillo en O en el bastidor y el cabezal de descarga y reemplácelos si estuvieran dañados. Instale la carcasa (3) y la cruceta del cojinete (4). Enrosque el cabezal de descarga (1) (atención: roscas hacia la izquierda) y ajuste.

Con un destornillador en el extremo ranurado del eje de la bomba, dé vuelta la unidad (en el sentido de las agujas del reloj) antes de reemplazar el tapón (18). Debe girar sin ninguna otra resistencia que la del sello del eje.

## IDENTIFICACIÓN Y RESOLUCIÓN DE PROBLEMAS



SI NO SE DESCONECTA Y BLOQUEA EL SUMINISTRO ELÉCTRICO ANTES DE INTENTAR TAREAS DE MANTENIMIENTO, SE PUEDEN PRODUCIR SACUDIDAS ELÉCTRICAS, QUEMADURAS O INCLUSO LA MUERTE.

### SÍNTOMA

#### EL MOTOR NO FUNCIONA

Lea las causas N° 1 a 5 en la lista de causas probables

#### SE ENTREGA POCO O NADA DE LÍQUIDO

Lea las causas N° 6 a 12 en la lista de causas probables

#### CONSUMO EXCESIVO DE ELECTRICIDAD

Lea las causas N° 3, 12, 13 y 14 en la lista de causas probables

#### RUIDO O VIBRACIÓN EXCESIVOS

Lea las causas N° 3, 6, 7, 10, 13, 15 y 16 en la lista de causas probables

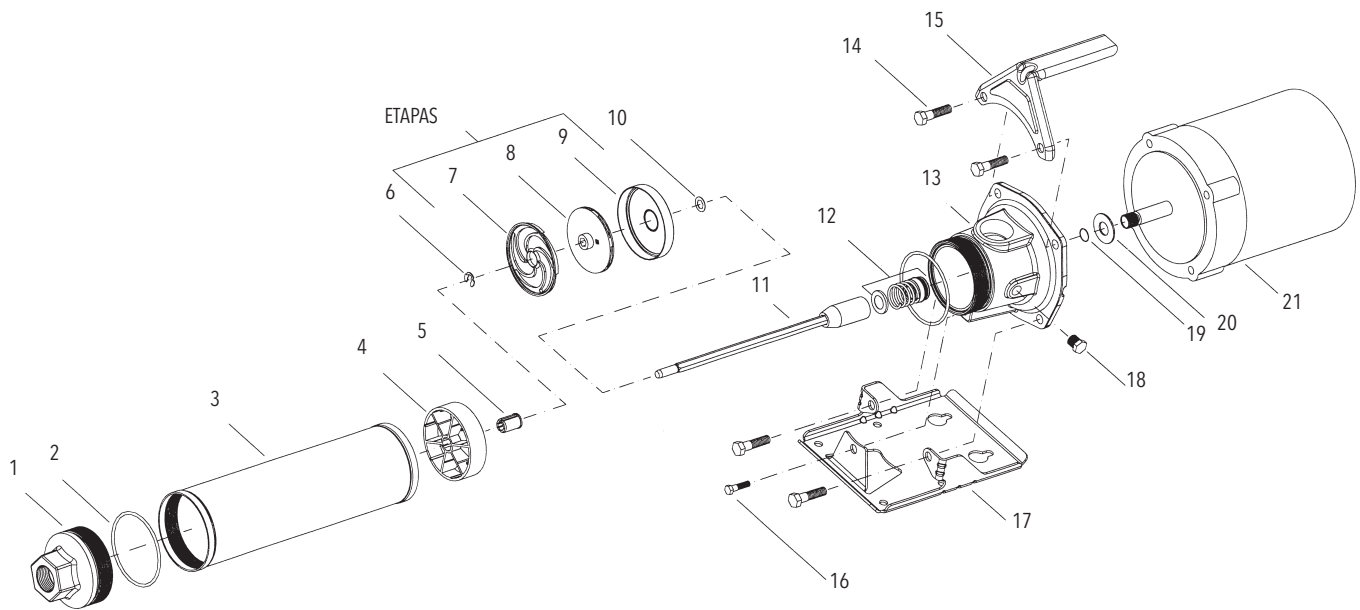
### CAUSAS PROBABLES

1. Se disparó el protector térmico del motor
2. Interruptor de circuito abierto o fusible quemado
3. Agarrotamiento del impulsor
4. El cableado del motor es incorrecto
5. El motor es defectuoso
6. La bomba no está cebada, hay aire o gases en el agua bombeada.
7. Descarga o succión bloqueadas o válvula cerrada
8. Rotación incorrecta (motor trifásico solamente)
9. Baja tensión o pérdida de fase
10. Impulsor gastado o taponado con residuos
11. Carga del sistema muy alta
12. Diámetro incorrecto del impulsor
13. Carga de descarga muy baja — velocidad excesiva de flujo
14. Viscosidad y/o gravedad específica del fluido muy altas
15. Cojinete gastado
16. Bomba, motor o tubería flojos

## COMPONENTES DE LAS BOMBAS GB

Ítem No.	Descripción	Materiales
1	Cabezal de descarga	Hierro fundido
2	Anillo en O, carcasa	BUNA
3	Carcasa	Acero inox. 304
4	Cruceta del cojinete	Polycarbonato relleno de vidrio
5	Cojinete	Uretano
6	Anillo de retención	Acero inox. 301
7	Difusor	Polycarbonato relleno de vidrio
8	Impulsor	Polycarbonato relleno de vidrio
9	Recipiente	Acero inox. 304

Ítem No.	Descripción	Materiales
10	Cuña	Acero inox. 304
11	Ensamble eje/acoplamiento	Acero inox. 304
12	Sello mecánico	Varía
13	Adaptador del motor	Hierro fundido
14	Tornillo, adaptador del motor al motor	Acero
15	Manija - optativa	Acero
16	Tornillo, base al adaptador del motor	Acero
17	Base	Acero
18	Tapón de tubería	Acero
19	Anillo en O, eje del motor	BUNA
20	Deflector	BUNA
21	Motor	Eje del motor Acero inox. 300



### GARANTÍA LIMITADA DE GOULDS WATER TECHNOLOGY

Esta garantía es aplicable a todas las bombas para sistemas de agua fabricadas por Goulds Water Technology.

Toda parte o partes que resulten defectuosas dentro del período de garantía serán reemplazadas sin cargo para el comerciante durante dicho período de garantía. Tal período de garantía se extiende por doce (12) meses a partir de la fecha de instalación, o dieciocho (18) meses a partir de la fecha de fabricación, cualquiera se cumpla primero.

Todo comerciante que considere que existe lugar a un reclamo de garantía deberá ponerse en contacto con el distribuidor autorizado de Goulds Water Technology del cual adquiriera la bomba, y ofrecer información detallada con respecto al reclamo. El distribuidor está autorizado a liquidar todos los reclamos por garantía a través del Departamento de Servicios a Clientes de Goulds Water Technology.

**La presente garantía excluye:**

- (a) La mano de obra, el transporte y los costos relacionados en los que incurra el comerciante;
- (b) los costos de reinstalación del equipo reparado;
- (c) los costos de reinstalación del equipo reemplazado;
- (d) daños emergentes de cualquier naturaleza; y
- (e) el reembolso de cualquier pérdida causada por la interrupción del servicio.

**A los fines de esta garantía, los términos “Distribuidor”, “Comerciante” y “Cliente” se definen como sigue:**

- (1) “Distribuidor” es aquel individuo, sociedad, corporación, asociación u otra entidad jurídica que opera entre Goulds Water Technology y el comerciante para la compra, consignación o contratos de venta de las bombas en cuestión.
- (2) “Comerciante” es todo individuo, sociedad, corporación, asociación u otra entidad jurídica que realiza negocios de venta o alquiler-venta (leasing) de bombas a clientes.
- (3) “Cliente” es toda entidad que compra o que adquiere bajo la modalidad de leasing las bombas en cuestión de un comerciante. El término “cliente” puede significar un individuo, una sociedad, una corporación, una sociedad de responsabilidad limitada, una asociación o cualquier otra entidad jurídica con actividades en cualquier tipo de negocios.

**LA PRESENTE GARANTÍA SE EXTIENDE AL COMERCIANTE ÚNICAMENTE**



Xylem, Inc.  
2881 East Bayard Street Ext., Suite A  
Seneca Falls, NY 13148  
Teléfono: (800) 453-6777  
Fax: (888) 322-5877  
[www.xylem.com/brands/gouldswatertechnology](http://www.xylem.com/brands/gouldswatertechnology)

Goulds es una marca registrada de Goulds Pumps, Inc. y se utiliza bajo licencia.  
© 2012 Xylem Inc. IM055 Revisión Número 3 Julio 2012



# Modèle GB

**DIRECTIVES D'INSTALLATION, D'UTILISATION ET D'ENTRETIEN**

SUJET	PAGE
Consignes de Sécurité.....	17
Données Techniques.....	17
Tuyauterie .....	17
Câblage et Mise à la Terre .....	17
Rotation .....	18
Utilisation.....	18
Entretien .....	18
Démontage.....	18
Remontage .....	19
Diagnostic des Anomalies .....	19
Table de Composants du Modèle GB.....	20
Déclaration de Conformité.....	21
Garantie Limitée.....	24

**Informations pour le propriétaire**

Numéro de modèle de la pompe : \_\_\_\_\_

Numéro de série de la pompe : \_\_\_\_\_

Détaillant : \_\_\_\_\_

N° de téléphone du détaillant : \_\_\_\_\_

Date d'achat : \_\_\_\_\_

Date d'installation : \_\_\_\_\_

Courant mesuré au démarrage :

1 Ø	3 Ø	L1-2	L2-3	L3-1
A: _____	A: _____	_____	_____	_____
V: _____	V: _____	_____	_____	_____



## CONSIGNES DE SÉCURITÉ

**AFIN DE PRÉVENIR LES BLESSURES GRAVES OU MORTELLES ET LES DOMMAGES MATÉRIELS IMPORTANTS, LIRE ET SUIVRE TOUTES LES CONSIGNES DE SÉCURITÉ FIGURANT DANS LE MANUEL ET SUR LA POMPE.**

**LE PRÉSENT MANUEL A POUR BUT DE FACILITER L'INSTALLATION ET L'UTILISATION DE LA POMPE ET DOIT RESTER PRÈS DE CELLE-CI.**



Le symbole ci-contre est un SYMBOLE DE SÉCURITÉ employé pour signaler les mots-indicateurs dont on trouvera la description ci-dessous. Sa présence sert à attirer l'attention afin d'éviter les blessures et les dommages matériels.



**DANGER** Prévient des risques qui VONT causer des blessures graves, la mort ou des dommages matériels importants.



**AVERTISSEMENT** Prévient des risques qui PEUVENT causer des blessures graves, la mort ou des dommages matériels importants.



**ATTENTION** Prévient des risques qui PEUVENT causer des blessures ou des dommages matériels.

**AVIS : SERT À ÉNONCER LES DIRECTIVES SPÉCIALES DE GRANDE IMPORTANCE QUE L'ON DOIT SUIVRE.**

**LIRE SOIGNEUSEMENT CHAQUE DIRECTIVE ET AVERTISSEMENT AVANT D'EFFECTUER TOUT TRAVAIL SUR LA POMPE.**

**N'ENLEVER AUCUN AUTOCOLLANT DE SÉCURITÉ.**



Les fluides dangereux peuvent causer un incendie, des brûlures ou la mort.

**APPAREIL NON CONÇU POUR LES LIQUIDES DANGEREUX NI POUR LES GAZ INFLAMMABLES. CES FLUIDES POURRAIENT ÊTRE PRÉSENTS DANS LES INSTALLATIONS DE CONFINEMENT (PUITS COLLECTEURS).**

## DESCRIPTION et CARACTÉRISTIQUES

La pompe de la série GB est une pompe multi-étagée, horizontale, portable, conçue pour l'augmentation de pression générale, la nébulisation et le lavage au jet à des fins domestiques et agricoles.

Sa version en inox 304 est utilisée pour les systèmes commerciaux ordinaires, de CVCA (chauffage, ventilation et conditionnement d'air), de séparation par osmose inverse et de filtrage.

## DONNÉES TECHNIQUES

- Température maximale du liquide : 72 °C (160 °F).
- Pression d'aspiration maximale : 75 lb/po<sup>2</sup>.
- Raccords d'aspiration et de refoulement : 1 po NPT ; adaptateurs pour tuyaux flexibles de 3/4 po offerts.
- Débit de refoulement maximal : 33 gal US/min.
- Hauteur de charge maximale : 600 pi (à 260 lb/po<sup>2</sup>).
- Rotation : sens horaire (vers la droite, vu de l'extrémité du moteur).

## TUYAUTERIE

- Afin de réduire les pertes de charge au minimum, on devrait maintenir la tuyauterie aussi courte que possible, ne pas employer un calibre de tuyau inférieur à celui des raccords d'aspiration et de refoulement ni utiliser d'accessoires ou de raccords de tuyauterie superflus.
- Tous les tuyaux DOIVENT posséder leurs propres supports et N'appliquer AUCUNE contrainte sur la pompe.
- Chaque joint DOIT être étanche. Enrouler les raccords filetés de 3 ou 4 couches de ruban de téflon<sup>MC</sup> pour les étancher.

## CÂBLAGE ET MISE À LA TERRE



Les tensions dangereuses peuvent causer un choc électrique, des brûlures ou la mort.



Poser le fil de terre et les autres fils suivant les prescriptions du code provincial ou national de l'électricité.



Poser un sectionneur tout conducteur près de la pompe.



Verrouiller la source d'alimentation électrique en position ouverte avant de procéder à l'installation ou à l'entretien de la pompe.



L'alimentation électrique DOIT être conforme aux spécifications de la plaque signalétique. Une tension inappropriée peut causer un incendie ou des dommages au moteur et annule la garantie.



Les moteurs monophasés non protégés DOIVENT être munis de contacteurs et de dispositifs de protection contre les surcharges thermiques, et les moteurs triphasés, de démarreurs à dispositif de protection contre la surcharge. Consulter la plaque signalétique du moteur.

- N'utiliser que du fil torsadé en cuivre pour la mise à la terre et l'alimentation du moteur. Le calibre du fil de terre DOIT être au moins égal à celui des fils d'alimentation, et les fils devraient tous être chromocodés pour faciliter l'entretien.



On doit brancher les pompes servant à la nébulisation ou au lavage au jet sur une prise munie d'un disjoncteur de fuite à la terre pour prévenir les blessures graves ou mortelles ainsi que les dommages matériels.

- Suivre soigneusement le schéma de câblage sur la plaque signalétique ou le cache-bornes du moteur.



Tension dangereuse

**OMETTRE LA MISE À LA TERRE PERMANENTE DE LA POMPE, DU MOTEUR OU DES COMMANDES AVANT LE BRANCHEMENT À LA SOURCE DE COURANT PEUT CAUSER UNE COMMOTION ÉLECTRIQUE, DES BRÛLURES OU LA MORT.**

## ROTATION

**AVIS : LA ROTATION DANS LE MAUVAIS SENS PEUT ENDOMMAGER LA POMPE ET ANNULER LA GARANTIE.**

- La rotation appropriée est en sens **HORAIRE** (vers la droite), vue de l'extrémité du moteur.
- Pour inverser la rotation des moteurs triphasés, en intervertir deux des conducteurs.

## UTILISATION

**⚠ AVERTISSEMENT**  
Tension dangereuse

**ARROSER UN MOTEUR ABRITÉ OU LE PLONGER DANS UN LIQUIDE PEUT CAUSER UN COURT-CIRCUIT, UNE COMMOTION ÉLECTRIQUE, DES BRÛLURES OU LA MORT.**

**AVIS : ON DOIT REMPLIR LA POMPE ENTièrement POUR L'AMORCER AVANT DE L'UTILISER. NE PAS FAIRE FONCTIONNER LA POMPE À SEC.**

- Faire fonctionner la pompe dans des conditions de service normales, attendre que le système se stabilise, vérifier la tuyauterie et régler les supports de celle-ci au besoin.

**⚠ ATTENTION** Ne pas utiliser la pompe à sec pour ne pas endommager la garniture (joint) mécanique. Ne pas la faire tourner longtemps lorsque l'ajutage (sortie) est fermé, car cela endommagera la pompe et la tuyauterie.

## POSE DE LA POIGNÉE

Enlever les deux vis de fixation supérieures de l'adaptateur de moteur, placer les deux trous de boulon de la poignée en face de ceux de l'adaptateur, reposer les vis et les serrer à fond.

## AJUTAGE

Il importe de choisir l'ajutage approprié pour optimiser les performances de la pompe. On devrait vérifier le débit du robinet d'alimentation de la pompe. Si le débit en gal US/min est :

De 7, employer un ajutage V2005 (6 gal US/min), inclus avec les AM2.

De 6, utiliser un ajutage V1502 (5 gal US/min).

De 5, utiliser un ajutage SN0045 (4 gal US/min).

De 4, employer un ajutage V10152 (3 gal US/min).

} Nécessaire AM 7

Cette méthode de sélection des ajutages permet de maintenir une pression positive à l'entrée de la pompe et d'empêcher cette dernière de « couper » l'alimentation en eau des autres sorties (robinets).

## USAGE AGRICOLE JOURNALIER

Il est recommandé que tous les appareils WaterGun<sup>MD</sup> utilisés sur les fermes produisant du lait de catégorie A soient munis d'un casse-vide installé conformément aux directives fournies avec le casse-vide. On évitera ainsi la création d'une pression négative dans les conduites d'alimentation, même si l'alimentation en eau diminuerait. Il est suggéré d'accrocher le WaterGun au mur, à au moins 18 po du plancher, et d'employer un support pour ranger le tuyau de refoulement flexible de manière à que le tuyau ne touche pas au plancher.

## ENTRETIEN

**⚠ AVERTISSEMENT**  
Tension dangereuse

**OMETTRE LE VERROUILLAGE DE LA SOURCE D'ALIMENTATION ÉLECTRIQUE EN POSITION OUVERTE PEUT CAUSER UNE COMMOTION ÉLECTRIQUE, DES BRÛLURES OU LA MORT.**

- Les moteurs sont dotés de roulements à billes lubrifiés à vie. Aucune lubrification n'est donc nécessaire ni possible. Suivre les recommandations du fabricant du moteur.
- Pour mettre une pompe **HORS** service, vidanger la pompe et tous les tuyaux.
- Pour remettre une pompe **EN** service, reposer tous les bouchons de vidange après avoir recouvert les filets extérieurs de ruban de téflon<sup>MC</sup> ou l'équivalent.
- Voir la section « **UTILISATION** » ci-dessus.

## DÉMONTAGE

- À l'aide de deux clés – l'une sur l'adaptateur (13) et l'autre sur la tête de refoulement (1) –, dévisser cette dernière et le corps de pompe (3).

**NOTA : LE CORPS DE POMPE EST FILETÉ À GAUCHE À CHAQUE EXTRÉMITÉ, ET SON ÉTANCHÉITÉ EST ASSURÉE PAR DES JOINTS TORIQUES (2).**

- Enlever l'agrafe de retenue (6) de l'extrémité de l'arbre (11). On peut maintenant démonter chaque étage, formé d'un corps d'étage (9), d'une roue (8) et d'un diffuseur (7). Si la pompe est engorgée sans pour autant être endommagée, un démontage plus poussé peut être inutile. Si l'on doit remplacer l'arbre (11), la garniture mécanique (12) ou le moteur, procéder comme suit :
- Enlever le bouchon (18) situé à l'arrière du moteur et bloquer l'arbre de moteur avec un tournevis. Dévisser l'ensemble accouplement-arbre de pompe (11). Enlever les quatre vis de fixation (14) de l'adaptateur de moteur. Séparer le moteur de l'adaptateur en le tirant en ligne droite.
- Si la garniture mécanique est grippée sur l'arbre, on peut employer deux tournevis en guise de leviers pour retirer le moteur. On peut pousser l'élément

fixe de la garniture hors de l'adaptateur en se plaçant du côté moteur. Un joint torique en caoutchouc est monté entre l'arbre de moteur et l'accouplement et reste habituellement sur l'arbre lorsque la garniture est retirée.

## REMONTAGE

Vérifier si le déflecteur (20) en caoutchouc et le joint torique (19) de l'accouplement sont montés sur l'arbre de moteur. S'ils sont usés ou endommagés, les remplacer. Poser l'élément fixe de la garniture mécanique dans l'adaptateur (13), puis fixer l'adaptateur et la poignée (15) au moteur. Mettre l'élément mobile de la garniture en place tout en s'assurant que ses surfaces sont propres et que son dernier élément en caoutchouc glisse par-dessus le joint torique de l'accouplement, puis sur l'arbre de moteur. Visser l'ensemble accouplement-arbre de pompe (11) à fond sur l'arbre de moteur. Avec une règle rectifiée placée en travers des bords de l'adaptateur, vérifier la position de l'extrémité extérieure de l'accouplement. En raison de variations dans la longueur de l'arbre de moteur, notamment, l'extrémité peut affleurer ou être jusqu'à 0,030 po trop à l'intérieur. En pareil cas, poser des cales 7K155 de 0,010 po contre l'extrémité extérieure de l'accouplement jusqu'à ce qu'elles affleurent ou dépassent la règle (la dernière cale touche alors la règle). Remettre les étages requis en place tout en vérifiant, avec une règle rectifiée placée en travers des bords de chaque corps d'étage (cuvette), si le moyeu de roue de chaque étage est bien placé ou s'il est nécessaire d'ajouter des cales. Une fois les étages correctement en place, reposer l'agrafe de retenue (6).

Vérifier le joint torique du corps de pompe et celui de la tête de refoulement et les remplacer s'ils sont endommagés. Poser le corps de pompe (3) et la bague d'espacement (4) du coussinet. Visser la tête de refoulement en place (filetage à gauche) et à fond.

Avec un tournevis inséré par l'orifice du bouchon (18) dans la fente située à l'extrémité de l'arbre de pompe, faire tourner l'arbre dans le sens horaire : il devrait tourner sans autre résistance que celle de la garniture mécanique de l'arbre. Remettre le bouchon en place.

## DIAGNOSTIC DES ANOMALIES



OMETTRE LE VERROUILLAGE DE LA SOURCE D'ALIMENTATION ÉLECTRIQUE EN POSITION OUVERTE PEUT CAUSER UNE COMMO-TION ÉLECTRIQUE, DES BRÛLURES OU LA MORT.

### ANOMALIE

#### NON-FONCTIONNEMENT DU MOTEUR

(V. causes probables 1 à 5)

#### DÉBIT DE REFOULEMENT FAIBLE OU NUL

(V. causes probables 6 à 12)

#### CONSOMMATION D'ÉNERGIE EXCESSIVE

(V. causes probables 3, 12, 13 et 14)

#### VIBRATION ET BRUIT EXCESSIFS

(V. causes probables 3, 6, 7, 10, 13, 15 et 16)

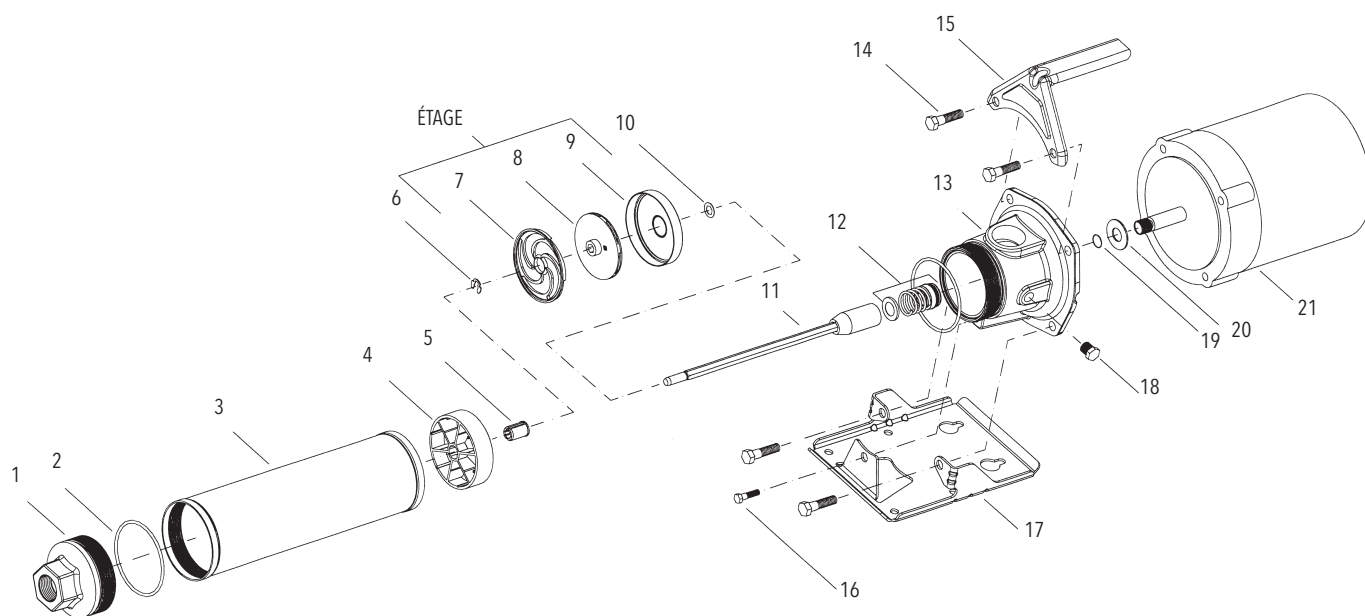
### CAUSES PROBABLES

1. Protecteur thermique du moteur déclenché
2. Disjoncteur ouvert ou fusible sauté
3. Roue grippée
4. Moteur mal connecté
5. Moteur défectueux
6. Pompe non amorcée, air ou gaz présent dans le liquide pompé
7. Tuyau d'aspiration ou de refoulement obstrué ou robinet fermé
8. Mauvais sens de rotation (moteurs triphasés seulement)
9. Basse tension électrique ou perte de phase
10. Roue usée ou engorgée
11. Hauteur de charge trop élevée du système
12. Diamètre de roue inapproprié
13. Hauteur de refoulement trop faible - débit excessif
14. Viscosité ou densité trop élevée du liquide
15. Roulements usés
16. Pompe, moteur ou tuyauterie mal assujettis

## TABLE DE COMPOSANTS DE LA SÉRIE GB

N° d'article	Description	Matériaux
1	Tête de refoulement	Fonte
2	Joint torique (corps de pompe)	Buna
3	Corps de pompe	Inox 304
4	Bague d'espacement (coussinet)	Polycarbonate chargé de fibre de verre
5	Coussinet	Uréthane
6	Agrafe de retenue	Inox 301
7	Diffuseur	Polycarbonate chargé de fibre de verre
8	Roue	Polycarbonate chargé de fibre de verre
9	Corps d'étage (cuvette)	Inox 304

N° d'article	Description	Matériaux
10	Cale	Inox 304
11	Ensemble accouplement-arbre de pompe	Inox 304
12	Garniture mécanique	Varié
13	Adaptateur de moteur	Fonte
14	Vis (adaptateur de moteur, moteur)	Acier
15	Poignée (en option)	Acier
16	Vis (plaque-support, adaptateur)	Acier
17	Plaque-support	Acier
18	Bouchon (conduite)	Acier
19	Joint torique (arbre de moteur)	Buna
20	Défecteur	Buna
21	Moteur	Arbre en inox 300



## **Declaration of Conformity**

---

We at,  
Goulds Water Technology/Xylem Inc.  
1 Goulds Drive  
Auburn, NY 13021

Declare that the following products: NPE, MCS, MCC, 3656, 3656 SP, GB, e-SV, SVI, NPO, Prime Line SP, HB, HMS, LC, NPV, LB, LBS comply with Machine Directive 06/42/EC. This equipment is intended to be incorporated with machinery covered by this directive, but must not be put into service until the machinery into which it is to be incorporated has been declared in conformity with the actual provisions of the directive.

## **Declaración de Conformidad**

---

Nosotros en  
Goulds Water Technology/Xylem Inc.  
1 Goulds Drive  
Auburn, NY 13021

Declaramos que los siguientes productos: NPE, MCS, MCC, 3656, 3656 SP, GB, e-SV, SVI, NPO, Prime Line SP, HB, HMS, LC, NPV, LB, LBS cumplen con las Directivas para Maquinarias 06/42/EC. Este equipo ha sido diseñado para ser incorporado a la maquinaria cubierta por esta directiva pero no debe ponerse en funcionamiento hasta que se declare que la maquinaria en la que será incorporado cumple con las disposiciones reales de la directiva.

## **Déclaration de Conformité**

---

Nous, à  
Goulds Water Technology/Xylem Inc.  
1 Goulds Drive  
Auburn, NY, U.S.A. 13021,

déclarons que les produits NPE, MCS, MCC, 3656, 3656 SP, GB, e-SV, SVI, NPO, Prime Line SP, HB, HMS, LC, NPV, LB et LBS sont conformes à la directive 06/42/EC (législation relative aux machines). Ils sont destinés à être intégrés dans la machinerie faisant l'objet de ladite directive, mais ne doivent pas être mis en service tant que la machinerie en question ne sera pas déclarée conforme aux stipulations de la directive.





### GARANTIE LIMITÉE DE GOULDS WATER TECHNOLOGY

La présente garantie s'applique à chaque pompe de système d'alimentation en eau fabriquée par Goulds Water Technology.

Toute pièce se révélant défectueuse durant la période de garantie sera remplacée sans frais pour le détaillant durant ladite période, qui dure douze (12) mois à compter de la date d'installation ou dix-huit (18) mois à partir de la date de fabrication, soit la période qui expirera la première.

Le détaillant qui, aux termes de cette garantie, désire effectuer une demande de règlement doit s'adresser au distributeur Goulds Water Technology agréé chez lequel la pompe a été achetée et fournir tous les détails à l'appui de sa demande. Le distributeur est autorisé à régler toute demande par le biais du service à la clientèle de Goulds Water Technology.

**La garantie ne couvre pas :**

- a) les frais de main-d'oeuvre ou de transport ni les frais connexes encourus par le détaillant ;
- b) les frais de réinstallation de l'équipement réparé ;
- c) les frais de réinstallation de l'équipement de remplacement ;
- d) les dommages indirects de quelque nature que ce soit ;
- e) ni les pertes découlant de la panne.

**Aux fins de la présente garantie, les termes ci-dessous sont définis comme suit :**

- 1) "Distributeur" signifie une personne, une société de personnes, une société de capitaux, une association ou autre entité juridique servant d'intermédiaire entre Goulds Water Technology et le détaillant pour les achats, les consignations ou les contrats de vente des pompes en question.
- 2) "Détaillant" veut dire une personne, une société de personnes, une société de capitaux, une association ou autre entité juridique dont les activités commerciales sont la vente ou la location de pompes à des clients.
- 3) "Client" signifie une entité qui achète ou loue les pompes en question chez un détaillant. Un "client" peut être une personne, une société de personnes, une société de capitaux, une société à responsabilité limitée, une association ou autre entité juridique se livrant à quelque activité que ce soit.

**CETTE GARANTIE SE RAPPORTE AU DÉTAILLANT SEULEMENT.**



Xylem, Inc.  
2881 East Bayard Street Ext., Suite A  
Seneca Falls, NY 13148  
Téléphone: (800) 453-6777  
Télécopie: (888) 322-5877  
[www.xylem.com/brands/gouldswatertechnology](http://www.xylem.com/brands/gouldswatertechnology)

Goulds est une marque déposée de Goulds Pumps, Inc. et est utilisé sous le permis.  
© 2012, Xylem Inc. IM055 Révision numéro 3 Juillet 2012