



MARCH PUMPS

1819 PICKWICK AVE., GLENVIEW, IL 60026-1306, U.S.A

TE-8C-MD, TE-8K-MD

DESCRIPTION:

Series 8 are centrifugal magnetic drive pumps, eliminating the need for a shaft seal. Pumps are serviceable with an adjustable wrench. Screws should be tightened in sequence & uniformly. Do not over tighten the screws or you may crush the plastic housing bosses. See the parts list for a breakdown of parts.

Model Abbreviations: C: Polypropylene, K: Kynar

OPERATION:

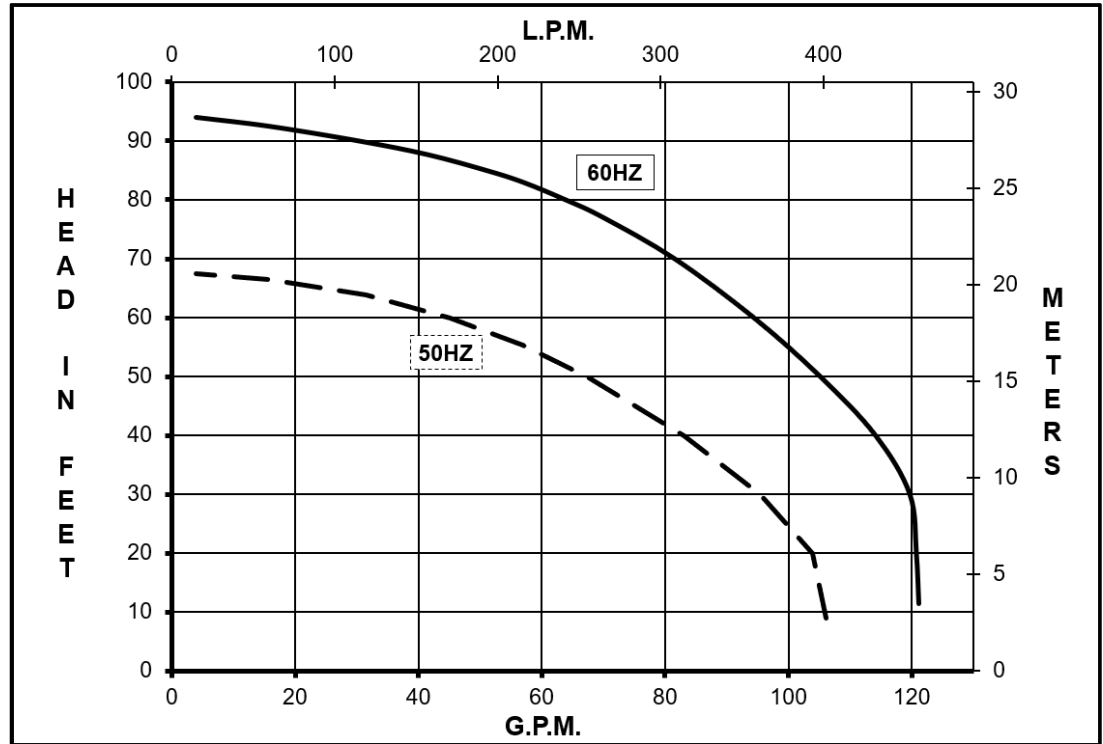
Pumps are not self-priming, lack a suction lift, and thus require a **flooded suction**. Pumps **cannot be run dry** because the impeller requires the liquid being pumped for lubrication. The direction of motor rotation should be clockwise when facing the inlet of the pump. For liquids with a specific gravity greater than water, have a higher viscosity, or for elevated temperatures, a trimmed impeller may be necessary. For application assistance, contact March Pump.

ELECTRICAL:

TE-8-MD pumps are dual voltage 230/460, 3 phase 60 Hz and dual voltage 190/380, 3 phase 50 Hz, TEFC. Motors are totally enclosed fan cooled and are U.L. listed as well as rated for continuous operation. All motors have a conduit box for electrical connections.

ASSEMBLY & DISASSEMBLY:

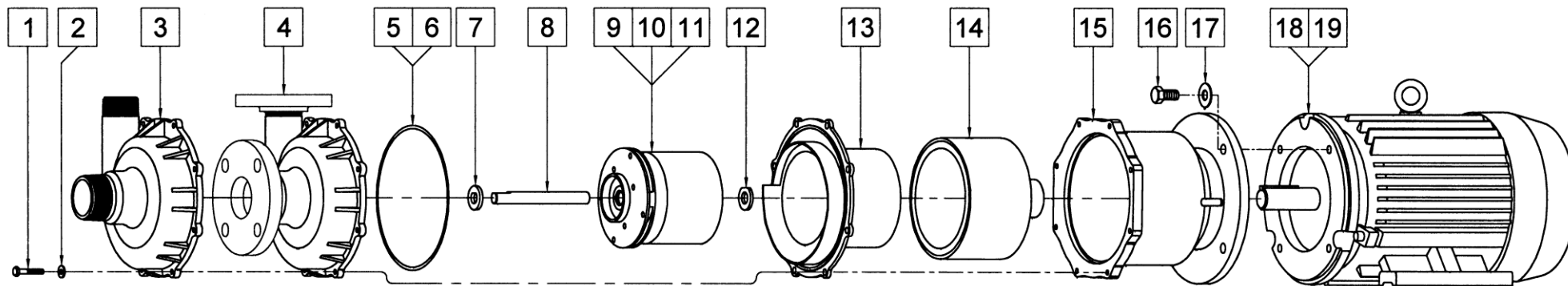
When replacing impeller bushings in the field, the plastic bushings must be bored to size after they have been pressed into the impeller. Bore to 0.630/0.632 I.D. The carbon & ceramic bushings are to finished size and do not require boring. When attaching the drive magnet to the motor shaft, position the face of the drive magnet 3/8 inch below the face of the motor bracket.



SPECIFICATIONS	TE-8C-MD		TE-8C-MD w/Flanges				TE-8K-MD				TE-8K-MD w/Flanges																					
Product #	0157-0008-0100		0157-0008-0170				0157-0008-0200				0157-0008-0270																					
Inlet – Outlet	2" MPT Inlet x 1-1/2" FPT Outlet		2" Flanged Inlet x 1-1/2" Flanged Outlet				2" MPT Inlet x 1-1/2" FPT Outlet				2" Flanged Inlet x 1-1/2" Flanged Outlet																					
Max Internal Pressure	50 psi (344 kPa)		50 psi (344 kPa)				75 psi (517 kPa)				75 psi (517 kPa)																					
Max Liquid Temperature	190 °F / 87 °C		150 °F / 65 °C				200 °F / 93 °C				200 °F / 93 °C																					
MODEL	60 Hz												50 Hz												Height		Width		Length		Packed Weight	
	Max Flow		Max Head			ELECTRICAL							Max Flow		Max Head			ELECTRICAL							Inches	cm	Inches	cm	Inches	cm	lbs	kg
TE-8C-MD	TE-8K-MD	gpm	lpm	ft	psi	m	Ph	V	A	Hp	kW	Rpm	gpm	lpm	ft	psi	m	Ph	V	A	Hp	kW	Rpm									
		120	454	95	41.2	29	3	230	7.8	3	2.2	3450	105	400	65.6	28.4	20	3	190	9.2	3	2.2	2850	10.48	26.61	11.45	29.08	24.38	61.92	142	64.41	
								460	3.9										380	4.6												
TE-8C-MD w/Flanges	TE-8K-MD w/Flanges	120	454	95	41.2	29	3	230	7.8	3	2.2	3450	105	400	65.6	28.4	20	3	190	9.2	3	2.2	2850	10.48	26.61	11.45	29.08	24.63	62.56	143	64.83	
								460	3.9										380	4.6												

All specifications & data are based on pumping water & are intended as a guideline only. Specifications may vary with different motors.

PARTS LIST



#				TE-8C-MD				#				TE-8K-MD			
1	0157-0014-1000	8	1/4"-20 x 1" Lg. Screw (Stainless)	1	0157-0014-1000	8	1/4"-20 x 1" Lg. Screw (Stainless)	1	0157-0023-1000	8	1/4" ID x 5/8" OD Washer (Stainless)	1	0157-0023-1000	8	1/4" ID x 5/8" OD Washer (Stainless)
2	0157-0023-1000	8	1/4" ID x 5/8" OD Washer (Stainless)	2	0157-0007-1000	1	Pump Housing with 2" MPT Inlet x 1-1/2" Outlet (Polypropylene)	2	0157-0007-1000	1	Pump Housing with 2" MPT Inlet x 1-1/2" Outlet (Polypropylene)	3	0157-0052-1000	1	Pump Housing with 2" MPT Inlet x 1-1/2" Outlet (Kynar)
3	0157-0007-1000	1	Pump Housing with 2" MPT Inlet x 1-1/2" Outlet (Polypropylene)	3	0157-0081-0100	1	Pump Housing with Flanges (Polypropylene)	3	0157-0081-0100	1	Pump Housing with Flanges (Polypropylene)	4	0157-0082-0100	1	Pump Housing with Flanges (Kynar)
4	0157-0081-0100	1	Pump Housing with Flanges (Polypropylene)	4	0157-0011-1000	1	0.157" CS x 7.244" ID "O" Ring (Viton)	4	0157-0011-1000	1	0.157" CS x 7.244" ID "O" Ring (Viton)	5	0157-0011-1000	1	0.157" CS x 7.244" ID "O" Ring (Viton)
5	0157-0011-1000	1	0.157" CS x 7.244" ID "O" Ring (Viton)	5	0157-0032-1000	1	1/8" CS x 7-1/2" OD "O" Ring (Viton/Teflon) – Option	5	0157-0032-1000	1	1/8" CS x 7-1/2" OD "O" Ring (Viton/Teflon) – Option	6	0157-0032-1000	1	1/8" CS x 7-1/2" OD "O" Ring (Viton/Teflon) – Option
6	0157-0032-1000	1	1/8" CS x 7-1/2" OD "O" Ring (Viton/Teflon) – Option	6	0157-0001-1000	1	Front Thrust Washer (Ceramic)	6	0157-0001-1000	1	Front Thrust Washer (Ceramic)	7	0157-0001-1000	1	Front Thrust Washer (Ceramic)
7	0157-0001-1000	1	Front Thrust Washer (Ceramic)	7	0157-0002-1000	1	Shaft (Ceramic)	7	0157-0002-1000	1	Shaft (Ceramic)	8	0157-0002-1000	1	Shaft (Ceramic)
8	0157-0002-1000	1	Shaft (Ceramic)	8	0157-0004-0200	1	Impeller w/Ryton Bushing (Polypropylene)	8	0157-0004-0200	1	Impeller w/Ryton Bushing (Polypropylene)	9	0157-0050-0500	1	Impeller w/Carbon Bushing (Kynar)
9	0157-0004-0200	1	Impeller w/Ryton Bushing (Polypropylene)	9	0157-0004-0500	1	Impeller w/Carbon Bushing (Polypropylene) – Option	9	0157-0004-0500	1	Impeller w/Carbon Bushing (Polypropylene) – Option	10	0157-0050-0200	1	Impeller w/Ryton Bushing (Kynar) – Option
10	0157-0004-0500	1	Impeller w/Carbon Bushing (Polypropylene) – Option	10	0157-0004-0700	1	Impeller w/Mica Teflon Bushing (Polypropylene) – Option	10	0157-0004-0700	1	Impeller w/Mica Teflon Bushing (Polypropylene) – Option	11	0157-0050-0700	1	Impeller w/Mica Teflon Bushing (Kynar) – Option
11	0157-0004-0700	1	Impeller w/Mica Teflon Bushing (Polypropylene) – Option	11	0157-0009-1000	1	Rear Thrust Washer (Ceramic)	11	0157-0009-1000	1	Rear Thrust Washer (Ceramic)	12	0157-0009-1000	1	Rear Thrust Washer (Ceramic)
12	0157-0009-1000	1	Rear Thrust Washer (Ceramic)	12	0157-0006-1000	1	Rear Housing (Polypropylene)	12	0157-0006-1000	1	Rear Housing (Polypropylene)	13	0157-0053-1000	1	Rear Housing (Kynar)
13	0157-0006-1000	1	Rear Housing (Polypropylene)	13	0157-0005-0100	1	Drive Magnet	13	0157-0005-0100	1	Drive Magnet	14	0157-0005-0100	1	Drive Magnet
14	0157-0005-0100	1	Drive Magnet	14	0157-0008-0010	1	Motor Bracket (Metal)	14	0157-0008-0010	1	Motor Bracket (Metal)	15	0157-0008-0010	1	Motor Bracket (Metal)
15	0157-0008-0010	1	Motor Bracket (Metal)	15	0160-0031-1000	4	1/2"-13 x 1" Lg. Screw (Stainless)	15	0160-0031-1000	4	1/2"-13 x 1" Lg. Screw (Stainless)	16	0160-0031-1000	4	1/2"-13 x 1" Lg. Screw (Stainless)
16	0160-0031-1000	4	1/2"-13 x 1" Lg. Screw (Stainless)	16	0160-0032-1000	4	1/2" ID x 1-1/4" OD Washer (Stainless)	16	0160-0032-1000	4	1/2" ID x 1-1/4" OD Washer (Stainless)	17	0160-0032-1000	4	1/2" ID x 1-1/4" OD Washer (Stainless)
17	0160-0032-1000	4	1/2" ID x 1-1/4" OD Washer (Stainless)	17	0157-0012-1000	1	TEFC Motor, 3 HP, 230/460 V, 3 Phase, 50/60 Hz	17	0157-0012-1000	1	TEFC Motor, 3 HP, 230/460 V, 3 Phase, 50/60 Hz	18	0157-0012-1000	1	TEFC Motor, 3 HP, 230/460 V, 3 Phase, 50/60 Hz
18	0157-0012-1000	1	TEFC Motor, 3 HP, 230/460 V, 3 Phase, 50/60 Hz	18	0157-0065-1000	1	TEFC Motor, 5 HP, 230/460 V, 3 Phase, 50/60 Hz – Option	18	0157-0065-1000	1	TEFC Motor, 5 HP, 230/460 V, 3 Phase, 50/60 Hz – Option	19	0157-0065-1000	1	TEFC Motor, 5 HP, 230/460 V, 3 Phase, 50/60 Hz – Option
19	0157-0065-1000	1	TEFC Motor, 5 HP, 230/460 V, 3 Phase, 50/60 Hz – Option	19	0157-0085-0100	1	Wet End Kit (Items: 1, 2, 3, 5, 7, 8, 9, 12, 13)	19	0157-0085-0100	1	Wet End Kit (Items: 1, 2, 3, 5, 7, 8, 9, 12, 13)	W	0157-0086-0100	1	Wet End Kit (Items: 1, 2, 3, 5, 7, 8, 9, 12, 13)
W	0157-0085-0100	1	Wet End Kit (Items: 1, 2, 3, 5, 7, 8, 9, 12, 13)	W	0157-0086-0100	1	Wet End Kit (Items: 1, 2, 3, 5, 7, 8, 9, 12, 13)	W	0157-0086-0100	1	Wet End Kit (Items: 1, 2, 3, 5, 7, 8, 9, 12, 13)				

Materials in Contact with Solution

Polypropylene/Carbon Filled, Viton, Teflon/Ryton/Carbon, Ceramic

Materials in Contact with Solution

Kynar/Glass Filled, Viton, Carbon, Ceramic

LIMITED WARRANTY

March pumps are guaranteed only against defects in workmanship or materials for a period of one year from date of manufacture pumping water.

NOTE: Contact Factory for other materials and/or parts not listed such as explosion proof and special voltage motors.

0157-0021-1000 R23