

# BRONZE CLOSE COUPLED RUBBER IMPELLER PUMP

## RUBBER IMPELLER PUMPS SERIES N305M PERFORMANCE



### FEATURES

- Bronze construction - Corrosion resistant
- Reversible wear plate
- Nitrile mechanical seal
- Portable
- Slotted motor base
- Neoprene Impeller STD (Nitrile optional 305M-02)
- Stainless Steel Shaft
- Nitrile O-ring seal between body and cover eliminates gasket problems
- Impeller and cam easily replaced
- Available with AC or DC motors

### DRIVE

The pump is driven directly from the electric motor shaft. An aluminum adapter connects the pump to the motor. Reversing supply leads to motor terminals reverses motor rotation. "In" and "Out" pump ports are also reversed.

**DO NOT RUN DRY** - Rubber impellers generate high rubbing friction unless lubricated by liquid pumped. Lack of liquid will cause impeller to burn up.

### LIQUIDS AND TEMPERATURE

Liquids compatible with neoprene can be pumped including fresh and salt water solutions and mild chemicals. Do not pump severe solvents or acids. When possible flush pump with fresh water after each use.

Extremes of cold and heat will affect impeller life. Limits of 40o to 180oF should be observed. Do not allow liquid in pump to freeze. Drain pump by loosening cover screws. Use methyl alcohol based anti-freeze compounds such as Zerex, Shell Zone, Pyro Permagard, or Dowgard.

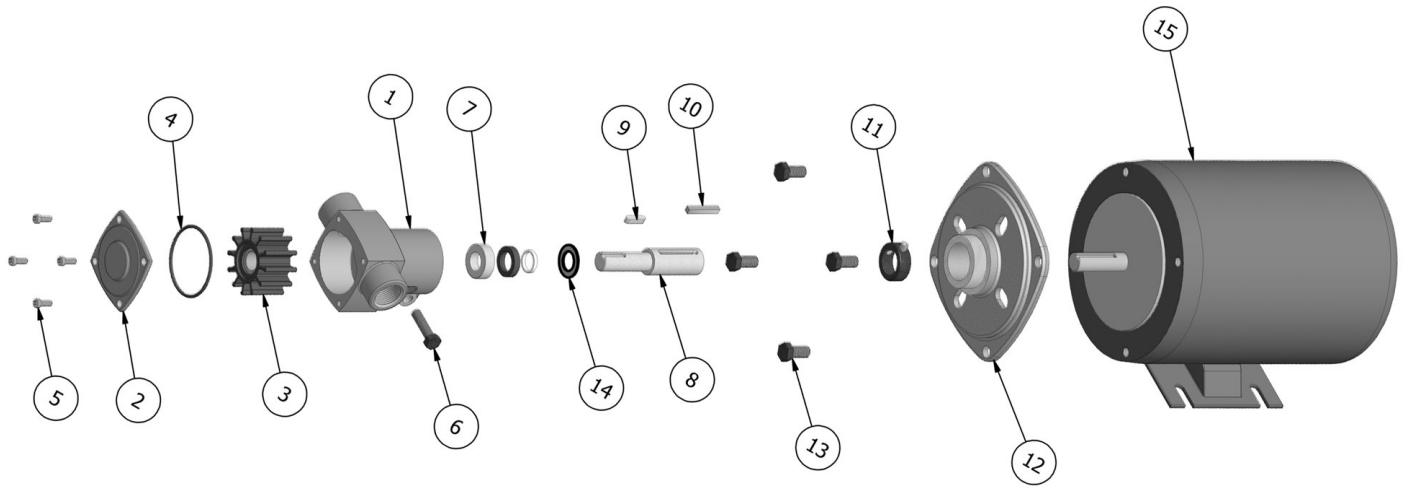
Water 70oF (neoprene impeller)				Feet Hd				
Model	Voltage	HP	Pressure (PSI)	10	20	40	60	80
305M C81 8295	12 VDC	1/4	Flow (GPM)	7.1	6.7			
			Speed (RPM)	1050	1040			
			Current (Amps)	8.4	9.2			
305M C82 8295	24 VDC	1/4	Flow (GPM)	15.3	14.5	11.9	8.4	2.0
			Speed (RPM)	2200	2190	2160	2140	2120
			Current (Amps)	9.5	10.3	12.4	14.8	17.1
305M-08 C74 2924	12 VDC	1/4	Flow (GPM)	13.8	13.0	9.7		
			Speed (RPM)	1950	1930	1880		
			Current (Amps)	16.0	17.8	21.9		
305M-08 F93 3073	24 VDC	1/3	Flow (GPM)	13.8	12.9	9.6	4.7	
			Speed (RPM)	1920	1920	1910	1860	
			Current (Amps)	8.3	9.3	11.1	13.9	
305M-08 F50 8458	115/230 VAC TEFC	1/3	Flow (GPM)	12.9	12.1	8.9	4.2	
			Speed (RPM)	1780	1780	1780	1770	
305M-08 F97 8456	230/460 VAC TEFC	1/3	Flow (GPM)	12.9	12.1	8.9	4.2	
			Speed (RPM)	1780	1780	1780	1770	

Notes: **Maximum recommended operating point**

## SUCTION LIFT

Suction lift of 15 ft. is possible when impeller is wet. Suction lines must be air tight in order for pump to self prime. A foot valve at the beginning of suction line is recommended.

## EXPLODED VIEW AND PARTS LIST

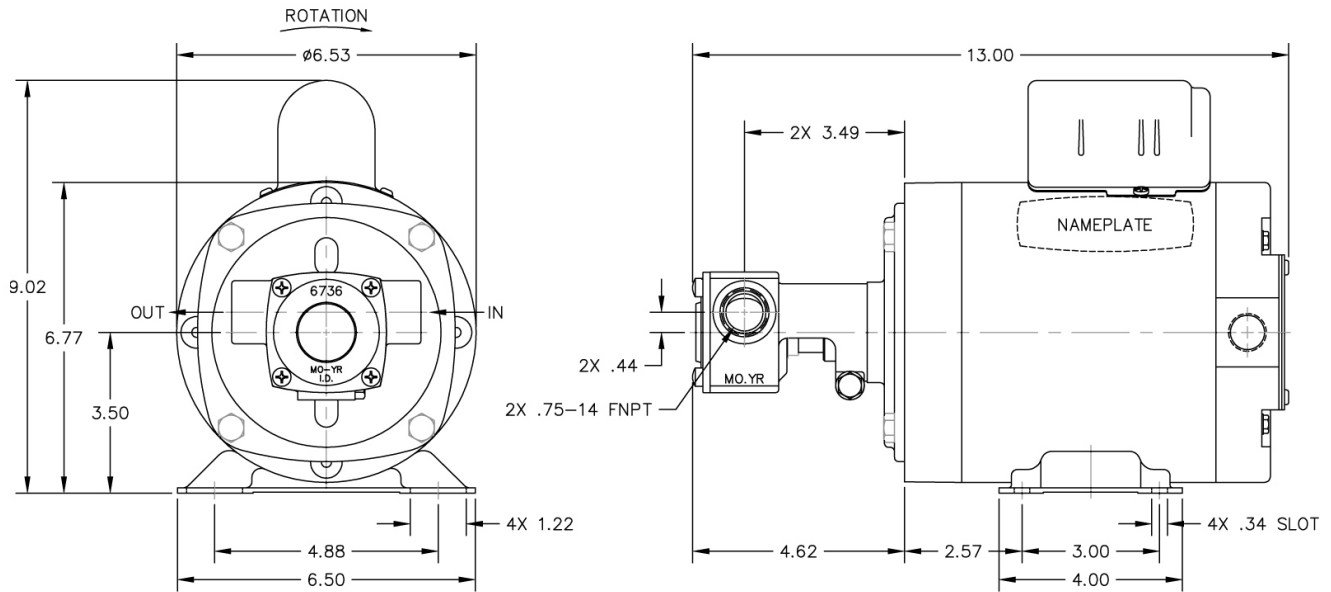


Pump No.	Configuration Material / Motor HP / Voltage	1	2	3	4	5	6	7	8	9	10	11	12	13	14	15	Repair Kit														
		Body	Cover	Impeller	O-Ring	Screw	Screw	Seal	Shaft	Key	Key	Collar	Adapter	Screw	Washer	Motor															
		Qty. 1	Qty. 1	Qty. 1	Qty. 1	Qty. 4	Qty. 1	Qty. 1	Qty. 1	Qty. 1	Qty. 1	Qty. 1	Qty. 1	Qty. 4	Qty. 1	Qty. 1															
N305M	Neoprene	8318-1	6736		8231	5504	5595	32230	8319	6739	6845	7991	7990	5916	6631	N/A	10704														
N305M-C81	Neoprene / 1/4 HP / 12VDC			6620												8295															
N305M-C82	Neoprene / 1/4 HP / 24VDC			8295																											
N305M-02	Buna			8647												N/A	12187														
N305M-08C74	Neoprene / 1/4 HP / 12VDC																														
N305M-08F93	Neoprene / 1/4 HP / 24VDC			6620																											
N305M-08F50	Neoprene / 1/3 HP / 120VAC																									7459	5411				
N305M-08F97	Neoprene / 1/3 HP / 460VAC																														

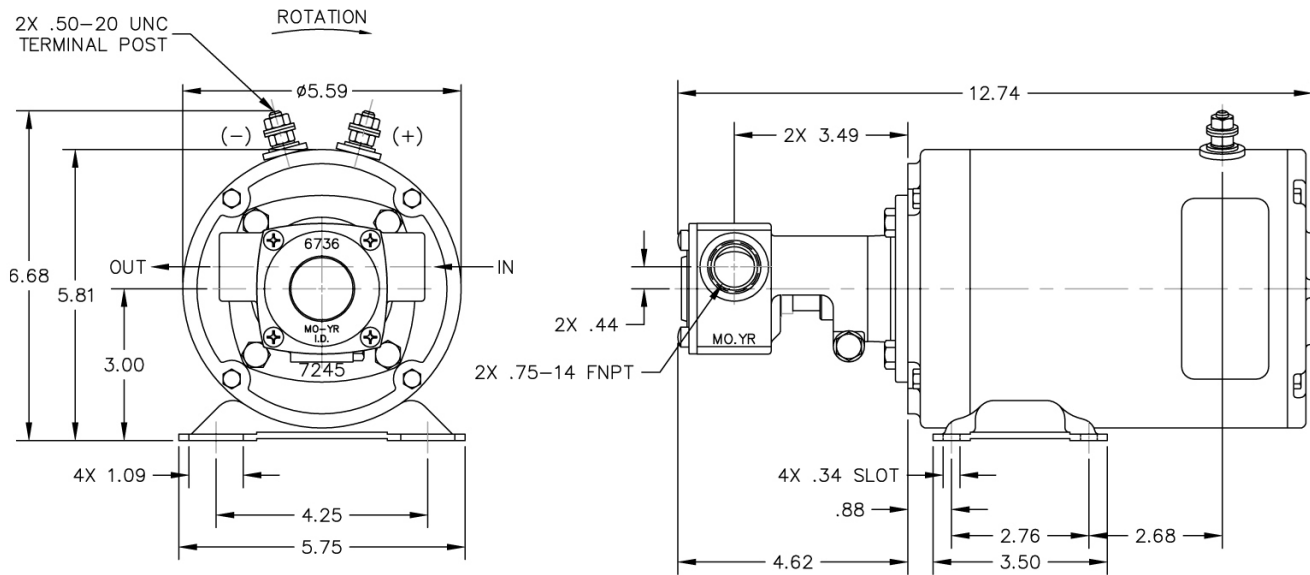
= Items that are included in repair kit.

# DIMENSIONS

## N305M-08F50



## N305M-C81



**ROTATION**

