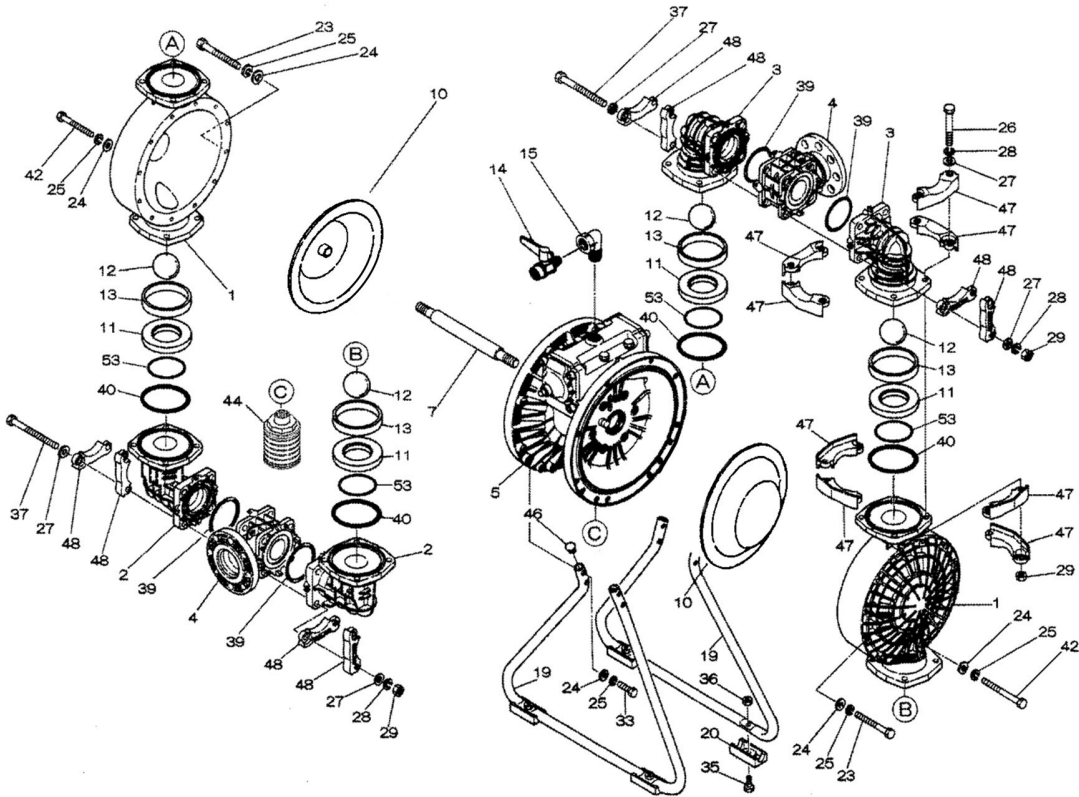


EXPLODED VIEW & PARTS LISTING

Model: NDP-80BPU  
Model #: 852246-U

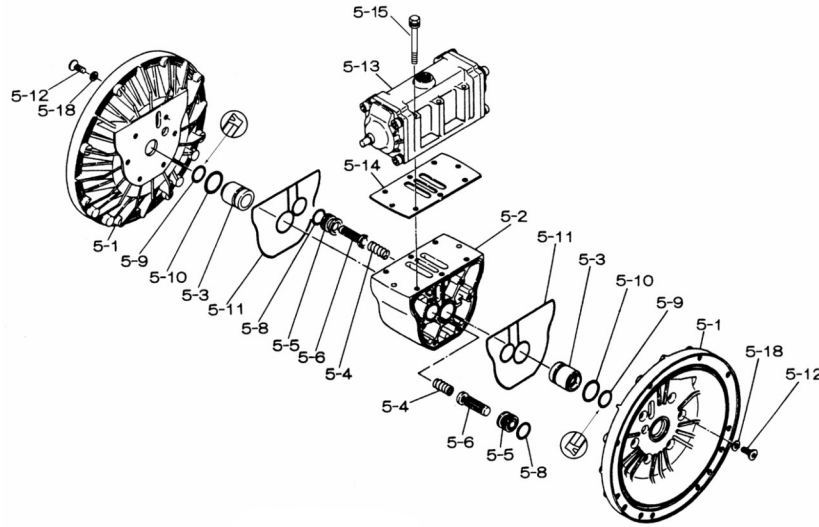


Air Operated Double Diaphragm Pump

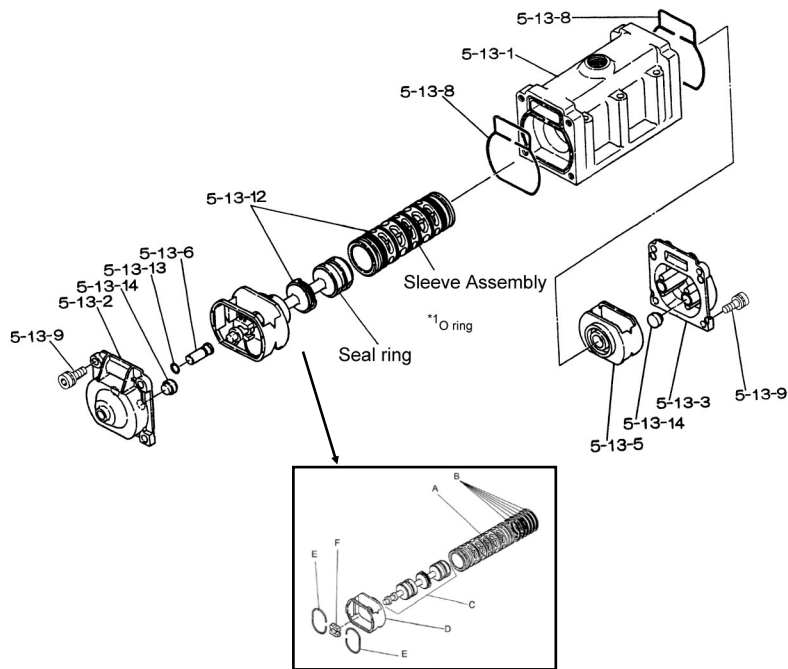


Air Operated Double Diaphragm Pump

■ Body Assembly



■ Valve Body Assembly



Air Operated Double Diaphragm Pump

REF. No.	PART No.	DESCRIPTION	QTY.	REORDER
1	780149	OUT CHAMBER	2	
2	780246	IN MANIFOLD	2	
3	780152	OUT MANIFOLD	2	
4	780250	CENTER MANIFOLD	2	
<b>5</b>	<b>803113</b>	<b>CENTER BODY ASSY.</b>	<b>1</b>	
5- 1	711935	AIR CHAMBER	2	
5- 2	711936	BODY	1	
5- 3	780325	THROAT BEARING	2	
5- 4	711937	PILOT VALVE SPRING	2	
5- 5	771740	PILOT VALVE SEAT	2	
5- 6	832163	PILOT VALVE ASSY.	2	
5- 8	640020	O-RING	2	
5- 9	685444	V-PACKING	2	
5-10	640029	O-RING	2	
5-11	771742	GASKET	2	
5-12	683812	FLAT SOCKET	12	
5-13	802971	VALVE BODY ASSY.	1	
5-13-1	711931	VALVE BODY	1	
5-13-2	580999	CAP A	1	
5-13-3	581000	CAP B	1	
5-13-5	771735	SPRING RETAINER	1	
5-13-6	712976	RESET BUTTON	1	
5-13-8	771738	GASKET	2	
5-13-9	685036	SOCKET BOLT	8	
5-13-12	805084	C-SPOOL ASSY	1	
A	803675	SLEEVE ASSY	1	
B	640036	O-RING	6	
C	805085	SPOOL ASSY	1	
D	771735	SPRING RETAINER	1	
E	711932	C-SPRING	2	
F	771734	BLOCK	1	
5-13-13	640005	O-RING	1	
5-13-14	684128	CUSHION	4	
5-14	771712	GASKET	1	
5-15	684240	BOLT W/WASHERS	6	
5-18	684987	WASHER	12	
7	717131	CENTER ROD	1	
10	833231	DIAPHRAGM	2	
11	772098	VALVE SEAT	4	
12	770694	BALL	4	
13	772099	VALVE SPACER	4	
14	686974	BALL VALVE	1	
15	682523	ELBOW	1	
19	711927	BASE	2	
20	771865	FOOT RUBBER	4	
23	683543	BOLT	20	

REF. No.	PART No.	DESCRIPTION	QTY.	REORDER
24	631330	FLAT WASHER	32	
25	680257	WAVE WASHER	32	
26	621214	BOLT	16	
27	631331	FLAT WASHER	32	
28	680607	WAVE WASHER	24	
29	628014	NUT	24	
33	621179	BOLT	8	
35	621149	BOLT	4	
36	683837	NUT W/FLANGE	4	
37	683544	BOLT	8	
39	643070	O-RING	4	
40	643080	O-RING	4	
42	683552	BOLT	4	
44	804764	SILENCER ASSY.	1	
46	683641	CAP	4	
47	771789	PROTECTOR A	32	
48	771790	PROTECTOR B	24	
53	643143	O-RING	4	
KIT	K80-PU	LIQUID SIDE KIT		
KIT	K80-AM	AIR MOTOR KIT		

General Tools:

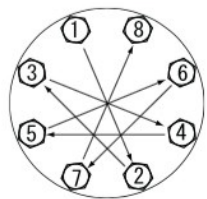
- Socket wrenches - 13mm, 17mm, 19mm
- Hexagonal box wrench - 5mm, 6mm
- Plastic Hammer

Special Tools:

- Disk remover (771868) sold separately
- Sleeve remover (713180) sold separately

Miscellaneous:

- Assembly Oil - turbine oil class 1 (equivalent to ISO VG32 grade)
- Thread locker
- Urea grease grade (NLGI) No. 2



Tightening torque for out chambers.

Out Chambers 26 ft-lbf {35 N-m}

Tightening torque for manifold retainer bolts.

BPU 18 ft-lbf {25 N-m}

Customer Notes

Model #: \_\_\_\_\_  
 Description: \_\_\_\_\_  
 Serial #: \_\_\_\_\_  
 Date Installed: \_\_\_\_\_  
 Department Location: \_\_\_\_\_  
 Tag/Project: \_\_\_\_\_