

# TECHNICAL BULLETIN

## INTRODUCING

### NDP-500 || STAINLESS STEEL SERIES

#### THE TRANSFER PORTAL IS NOW OPEN!

- ◆ Highest-flowing 2" diaphragm pump in the market, maximum flow rate - **226 GPM.**
- ◆ Geometric optimizations of components result in a market-leading increase in efficiency, drastically reducing operating costs by running much slower.
- ◆ Utilizes the same diaphragms, balls, seats and field-proven NDP air motor, simplifying inventory and making upgrades seamless.
- ◆ Longest lasting diaphragm pump in the market just got easier for maintenance.
  - One universal fastener is used for the entire pump body.
  - Square flanges support the pump during maintenance, allowing for quick disassembly and assembly.
  - Less weight than comparable models, making portability, handling, installation easier.



## NDP-500 SPECIFICATIONS

**PORT DIMENSIONS:** 2" FLANGE & NPT

**BODY MATERIAL:** STAINLESS STEEL

**MAXIMUM FLOW RATE:** 226 GPM

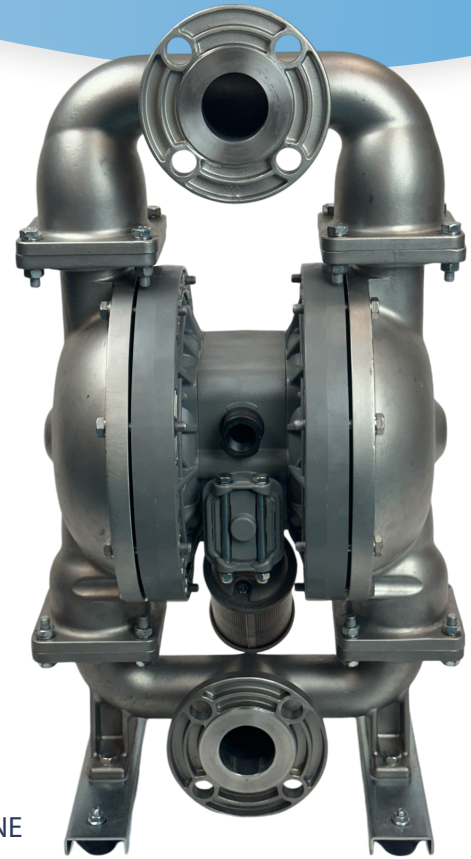
**AIR SUPPLY PRESSURE:** 20-125 PSI

**MAXIMUM LIQUID TEMPERATURE:**

<i>Diaphragm Material</i>	<i>Temperature</i>
Buna .....	10 - 180°F (-12 - 82°C)
Neoprene .....	0 - 180°F (-17 - 82°C)
Santoprene .....	-10 - 180°F (-23 - 82°C)
EPDM .....	-40 - 212°F (-40 - 100°C)
PTFE.....	40 - 212°F (4 - 100°C)
Hytrel .....	0 - 248°F (-17 - 120°C)
Viton.....	-20 - 248°F (-28 - 120°C)
Ultimate .....	0 - 212°F (-56 - 100°C)

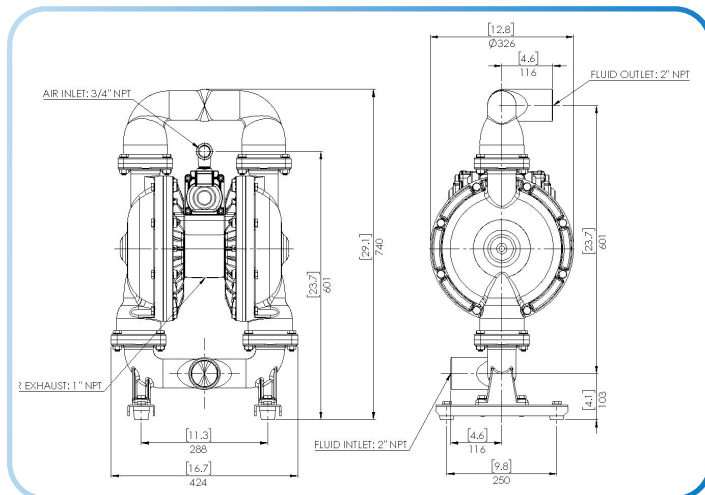
**MAXIMUM SOLID SIZE:** 5/16"

**MAXIMUM LIFT:** 19.5 ft

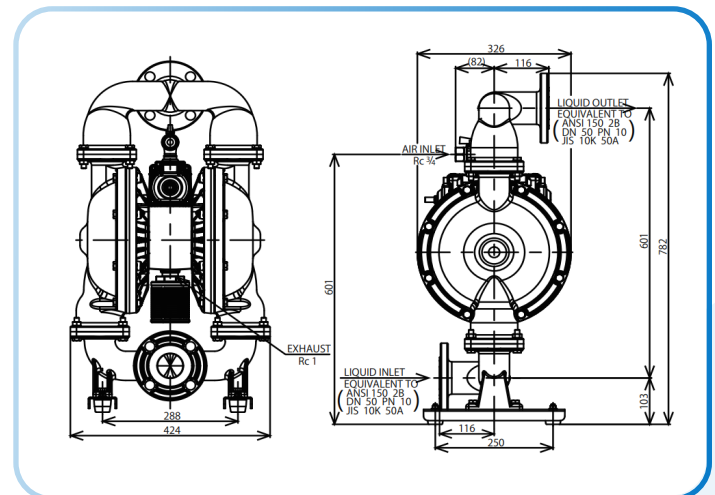


**AIR MOTOR:**  
POLYPROPYLENE

### NDP-500 NPT



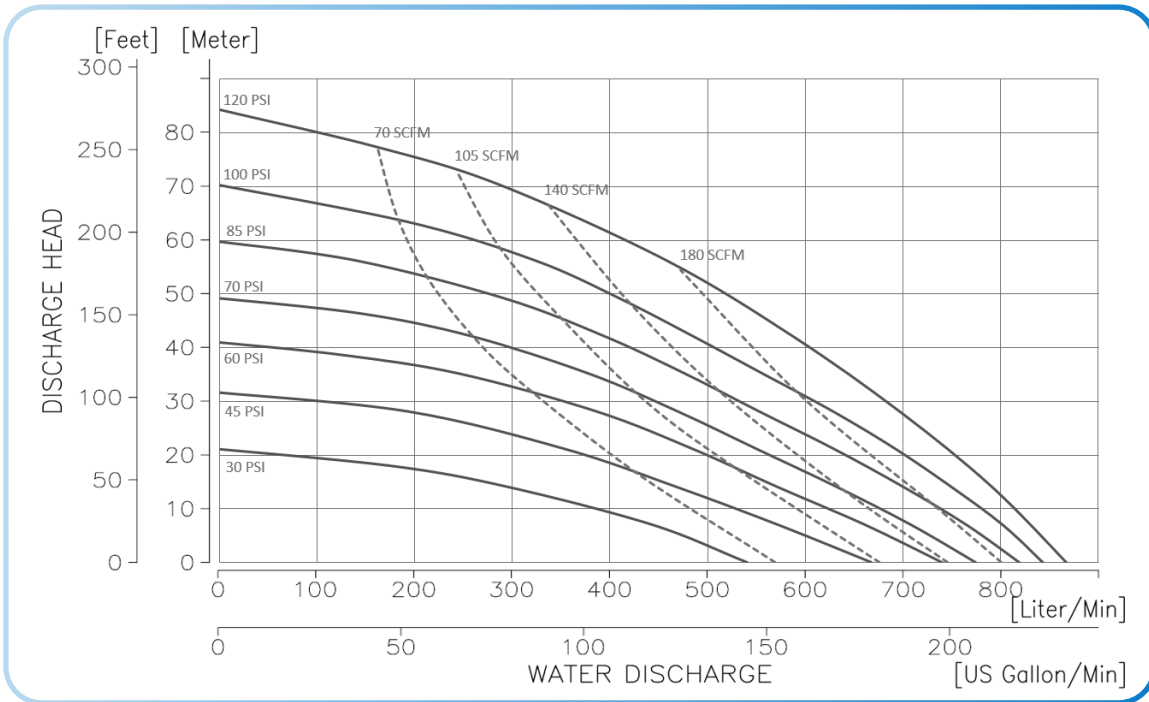
### NDP-500 FLANGE



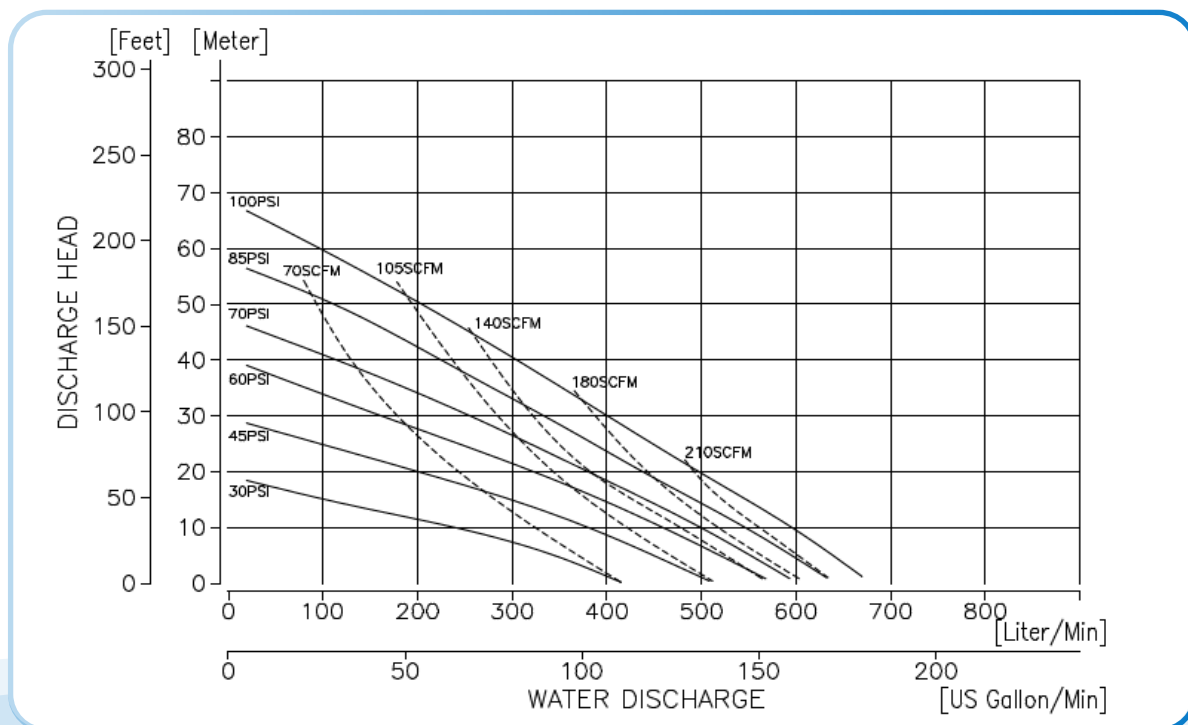
**Net Wt:** 134 lbs.

**Shipping Wt:** 144 lbs.

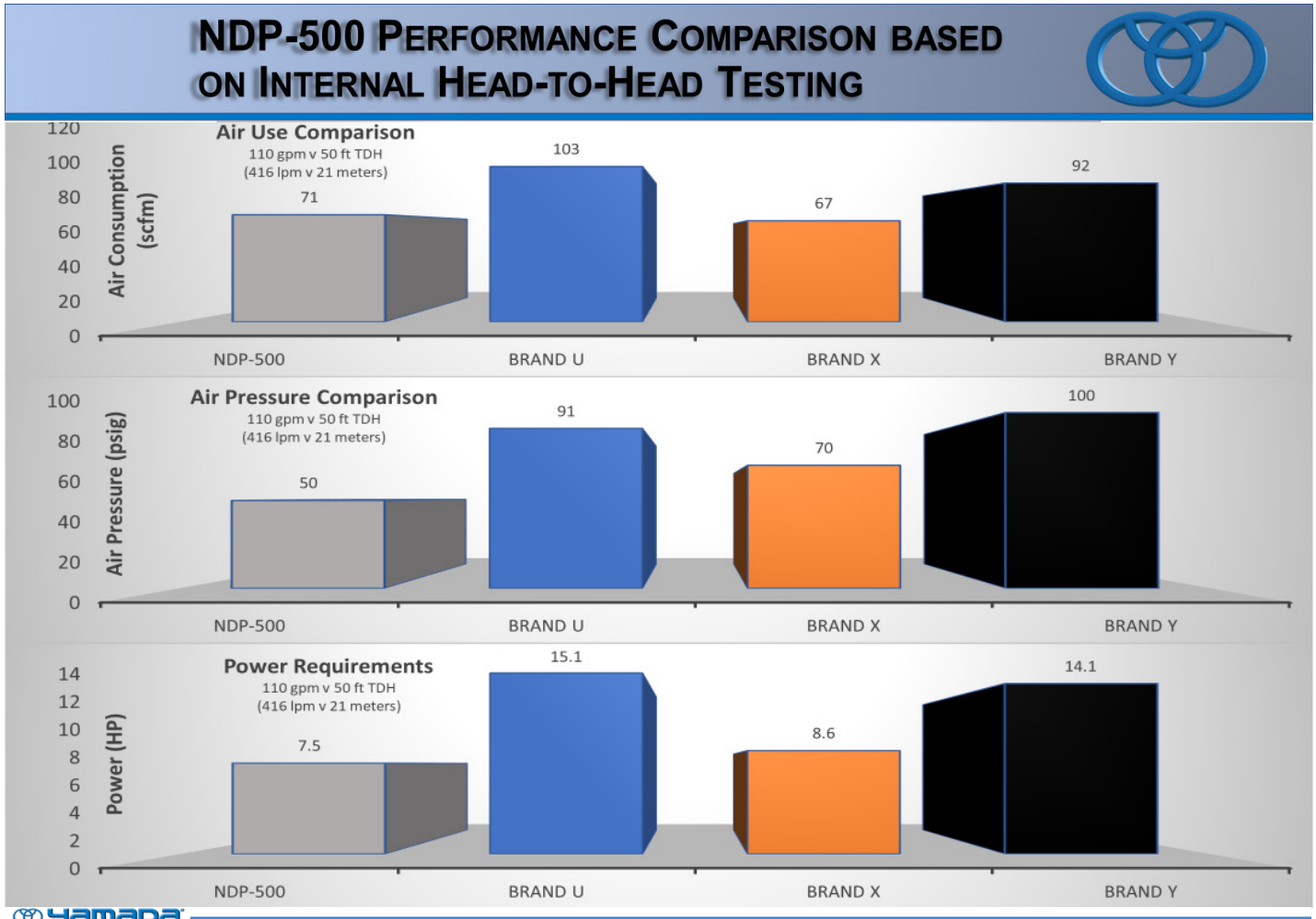
## NDP-500 CURVE - RUBBER



## NDP-500 CURVE - PTFE/ULTIMATE



## NDP-500 PERFORMANCE COMPARISON BASED ON INTERNAL HEAD-TO-HEAD TESTING



**“TURN THE AIR DOWN, LET THE PUMP DO THE WORK & SAVE MONEY”**

- Minimize pulsation amplitude
- Yamada’s long lasting wear parts will last even longer
- Quiet operation
- No vibration

Local Distributor: