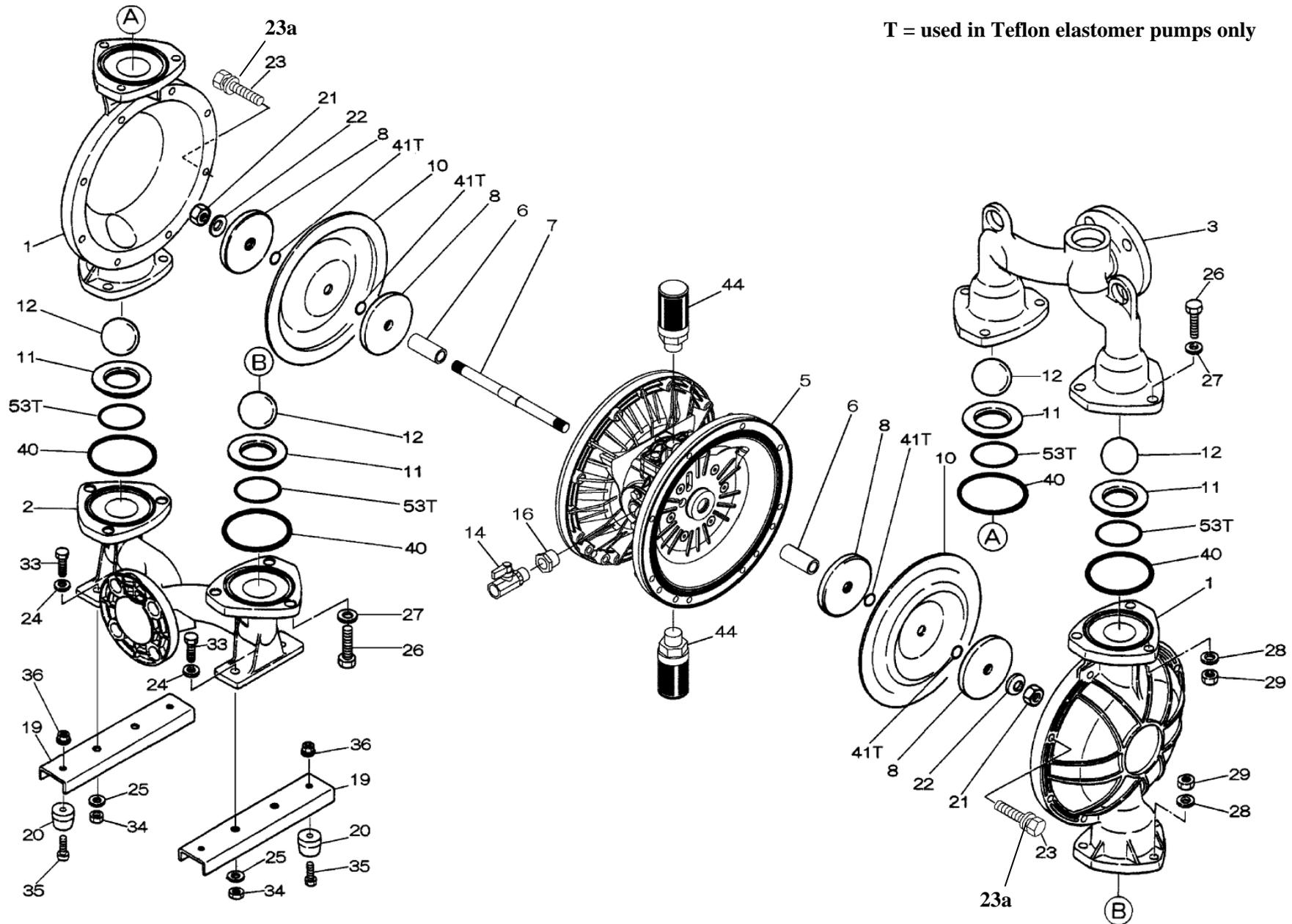


T = used in Teflon elastomer pumps only



XDP

Yamada America, Inc.  
 955 East Algonquin Rd  
 Arlington Heights, IL 60005  
 Phone: 847.631.9200  
 Fax: 847.631.9273  
 www.yamadapump.com

Model: DP-50BST-HD  
 Part # 854438 - NPT  
 Part # 854431 - Flange



| Reference No. | Description           | Q'ty | Part No. |
|---------------|-----------------------|------|----------|
| 1             | Out Chamber           | 2    | 712932   |
| 2             | In Manifold - Flange  | 1    | 712557   |
| 2             | In Manifold - NPT     | 1    | 712559   |
| 3             | Out Manifold - Flange | 1    | 712556   |
| 3             | Out Manifold - NPT    | 1    | 712558   |
| 5             | Body Assembly         | 1    | 804778   |
| 6             | Center Bushing        | 2    | 716219   |
| 7T            | Center Rod            | 1    | 716250   |
| 8T            | Center Disk           | 2    | 707822   |
| 9T            | Center Disk           | 2    | 707823   |
| 10            | Diaphragm             | 2    | 770815   |
| 11            | Valve Seat            | 4    | 711909   |
| 12            | Ball                  | 4    | 770693   |
| 14            | Ball Valve            | 1    | 684322   |
| 19            | Pump Base             | 2    | 711928   |
| 20            | Cushion               | 4    | 771402   |
| 21            | Nut                   | 2    | 706128   |
| 22            | Coned Disk Spring     | 2    | 682740   |
| 23            | Bolt                  | 16   | 621180   |
| 23a           | Wave Spring Washer    | 16   | 631937   |
| 24            | Plain Washer          | 4    | 631174   |
| 25            | Wave Spring Washer    | 4    | 631937   |
| 26            | Bolt                  | 12   | 621202   |
| 27            | Plain Washer          | 12   | 631175   |
| 28            | Spring Lock Washer    | 12   | 631938   |
| 29            | Nut                   | 12   | 628014   |
| 33            | Bolt                  | 4    | 621175   |
| 34            | Nut                   | 4    | 628013   |
| 35            | Bolt                  | 4    | 611149   |
| 36            | Nut with Flange       | 4    | 682276   |
| 40            | O-ring                | 4    | 643069   |
| 41T           | O-ring                | 4    | 643015   |
| 44            | Silencer              | 2    | 804697   |
| 53T           | O-ring                | 4    | 643139   |

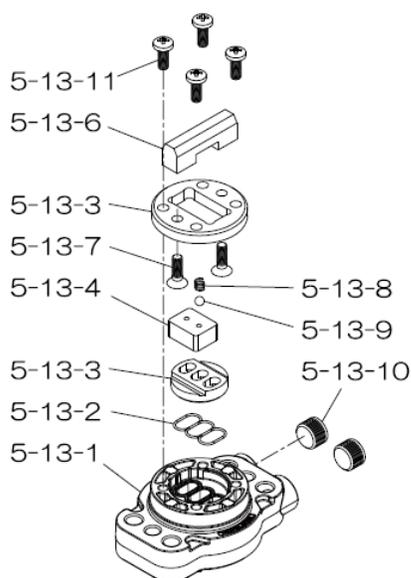
**Repair Kits**

**K50-MT Liquid Side Kit includes the following:**

|     |           |   |        |
|-----|-----------|---|--------|
| 10  | Diaphragm | 2 | 770815 |
| 40  | O-ring    | 4 | 643069 |
| 53T | O-ring    | 4 | 643139 |
| 41T | O-ring    | 4 | 643015 |
| 12  | Ball      | 4 | 770693 |

**K45-AM-DP-HD Air Side Kit includes the following:**

|      |                  |   |        |
|------|------------------|---|--------|
| 5-3  | Throat Bearing   | 2 | 773048 |
| 5-5  | Center Rod Guide | 1 | 773047 |
| 5-6  | O-ring           | 2 | 640023 |
| 5-7  | O-ring           | 2 | 640133 |
| 5-8  | Gasket           | 2 | 773040 |
| 5-9  | Gasket           | 2 | 773041 |
| 5-10 | O-ring           | 2 | 640138 |
| 5-11 | O-ring           | 8 | 640007 |
| 5-14 | O-ring           | 2 | 640134 |
| 5-21 | Bushing          | 4 | 773067 |
| 5-22 | Spring           | 2 | 684537 |
| 5-24 | Pin              | 2 | 700231 |



**804784 Valve Body Assembly**

| Reference No. | Description     | Q'ty | Part No. |
|---------------|-----------------|------|----------|
| 5-13-1        | Valve Body      | 1    | 716244   |
| 5-13-2        | Gasket          | 1    | 773042   |
| 5-13-3        | Valve Seat      | 1    | 716246   |
| 5-13-4        | Block           | 1    | 773065   |
| 5-13-5        | Block Holder    | 1    | 716245   |
| 5-13-6        | Valve Guide     | 1    | 773064   |
| 5-13-7        | Flat Head Screw | 2    | 684384   |
| 5-13-8        | Spring          | 1    | 706612   |
| 5-13-9        | Ball            | 1    | 686271   |
| 5-13-10       | Plug            | 2    | 772934   |
| 5-13-11       | Screw           | 4    | 602299   |

XDP

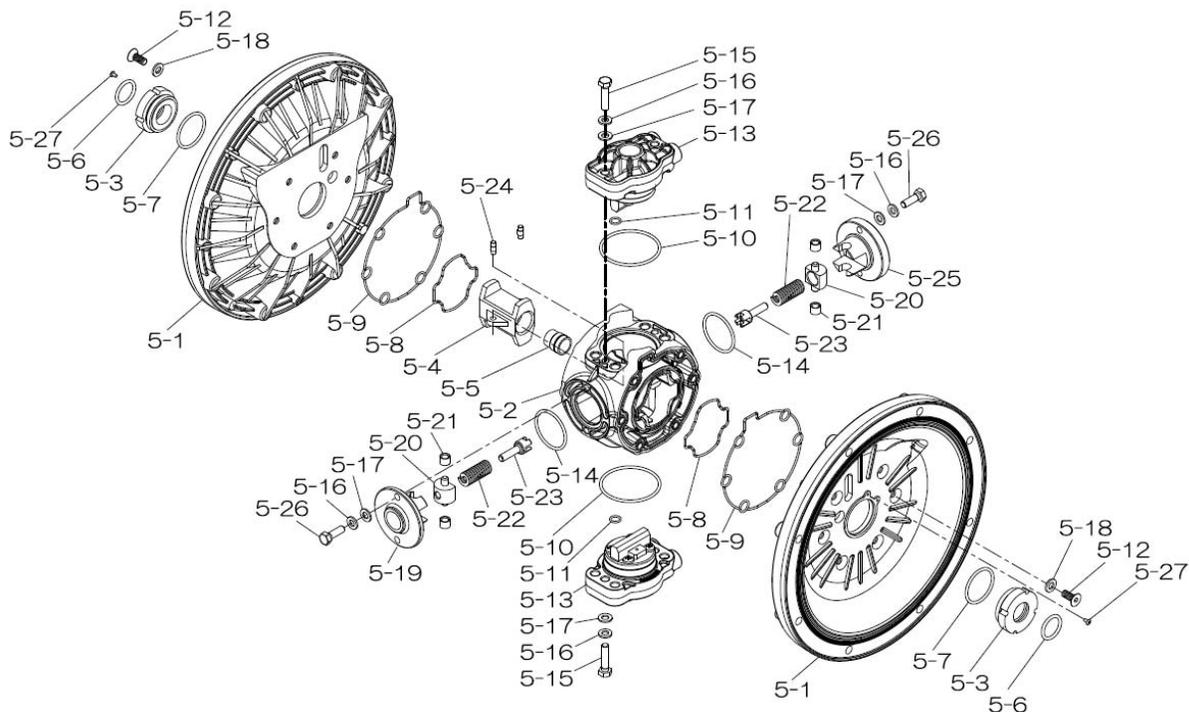
336B-00\_2011

Yamada America, Inc.  
 955 East Algonquin Rd  
 Arlington Heights, IL 60005  
 Phone: 847.631.9200  
 Fax: 847.631.9273  
 www.yamadapump.com



804778 Body Assembly

| Reference |                     |      |          |
|-----------|---------------------|------|----------|
| No.       | Description         | Q'ty | Part No. |
| 5-1       | Air Chamber         | 2    | 716247   |
| 5-2       | Body                | 1    | 716256   |
| 5-3       | Throat Bearing      | 2    | 773048   |
| 5-4       | Valve Switcher      | 1    | 716214   |
| 5-5       | Center Rod Guide    | 1    | 773047   |
| 5-6       | O-ring              | 2    | 640023   |
| 5-7       | O-ring              | 2    | 640133   |
| 5-8       | Gasket              | 2    | 773040   |
| 5-9       | Gasket              | 2    | 773041   |
| 5-10      | O-ring              | 2    | 640138   |
| 5-11      | O-ring              | 8    | 640007   |
| 5-12      | Flat Head Bolt      | 12   | 683812   |
| 5-13      | Valve Body Assembly | 2    | 804784   |
| 5-14      | O-ring              | 2    | 640134   |
| 5-15      | Bolt                | 4    | 611153   |
| 5-16      | Spring Washer       | 8    | 631420   |
| 5-17      | Plain Washer        | 8    | 631013   |
| 5-18      | Plain Washer        | 12   | 684987   |
| 5-19      | Retainer B          | 1    | 716249   |
| 5-20      | Spring Retainer     | 2    | 713620   |
| 5-21      | Bushing             | 4    | 773067   |
| 5-22      | Spring              | 2    | 684537   |
| 5-23      | Trip Arm            | 2    | 714446   |
| 5-24      | Pin                 | 2    | 700231   |
| 5-25      | Retainer A          | 1    | 716216   |
| 5-26      | Bolt                | 4    | 611149   |
| 5-27      | Tapping Screws      | 2    | 686337   |



XDP

336B-00\_2011

Yamada America, Inc.  
 955 East Algonquin Rd  
 Arlington Heights, IL 60005  
 Phone: 847.631.9200  
 Fax: 847.631.9273  
 www.yamadapump.com

