

**Note:**  
 Letter "T" is for PTFE fitted pumps only.  
 Letter "A" connects with "A".  
 Letter "B" connects with "B".

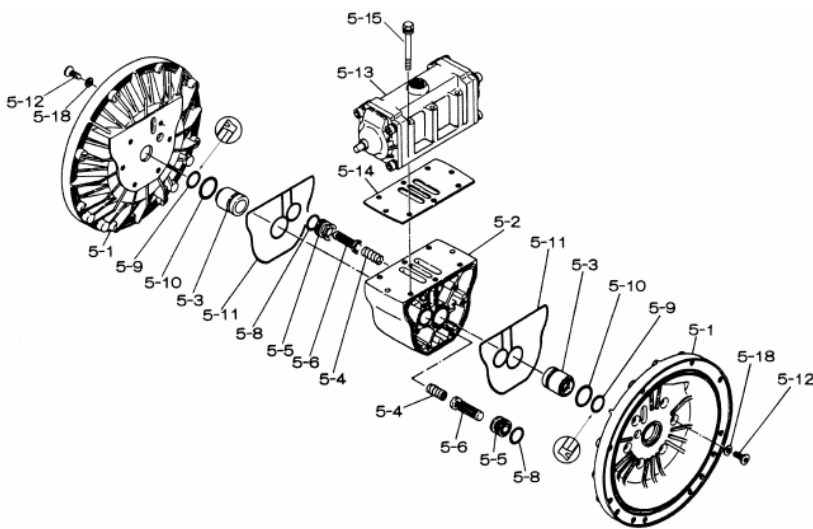
Yamada America, Inc.  
 955 East Algonquin Rd  
 Arlington Heights, IL 60005  
 Phone: 847.631.9200  
 Fax: 847.631.9273  
 www.yamadapump.com

**Model: NDP-40BPS**  
**Part # 852711**



Reference No.	Description	Q'ty	Part No.
1	Out Chamber	2	780147
2	In Manifold	2	780244
3	Out Manifold	2	780150
4	Center Manifold	2	780248
5	Body Assembly	1	803111
7	Center Rod	1	711900
8	Center Disk	2	711902
9	Center Disk	2	771725
10	Diaphragm	2	771975
11	Valve Seat	4	772096
12	Ball	4	773172
14	Ball Valve	1	684321
15	Elbow	1	682523
16	Bushing	1	684339
19	Stand Body	2	711925
20	Cushion	4	771865
23	Bolt	16	686156
24	Plain Washer	68	631330
25	Spring Lock Washer	44	680257
26	Bolt	16	621183
33	Bolt	4	621179
34	Nut	24	628013
35	Bolt	4	621149
36	Nut with Flange	4	683837
37	Bolt	8	683542
39	O-ring	4	683998
40	O-ring	4	684121
46	Cap	4	683641
51	Cushion	2	770582
53	O-ring	4	685447

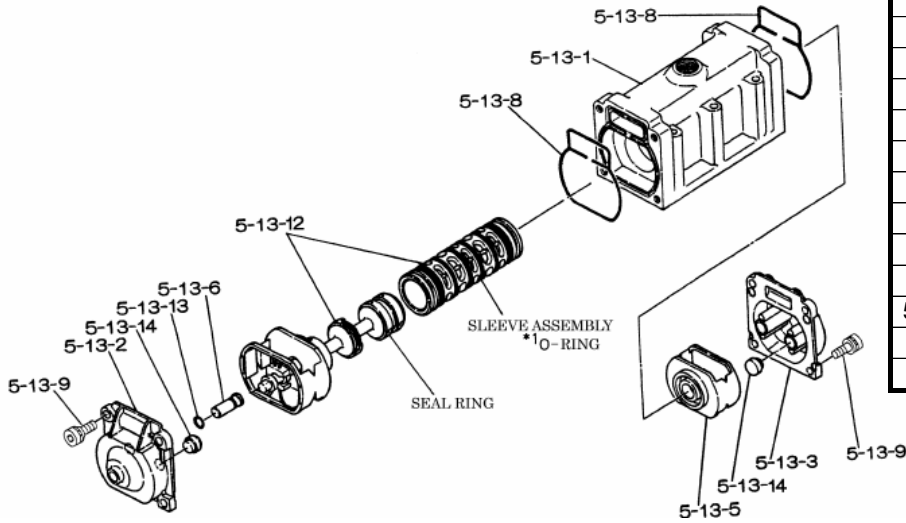
Repair Kits			
<b>K40-PS Liquid Side Kit includes the following:</b>			
10	Diaphragm	2	771975
12	Ball	4	773172
53	O-ring	4	685447
40	O-ring	4	684121
<b>K45-AM Air Side Kit includes the following:</b>			
5-3	Throat Bearing	2	772689
5-4	Spring	2	711937
5-5	Valve Seat	2	771740
5-6	Pilot Valve Assembly	2	832162
5-8	O-ring	7	640020
5-9	Packing	2	685444
5-10	O-ring	2	640029
5-11	Gasket	2	771742
5-14	Gasket	1	771712
5-13-8	Gasket	2	771738
5-13-12 Seal	Seal Ring	15	771732
5-13-12 Sleeve	Sleeve Assembly	1	803675



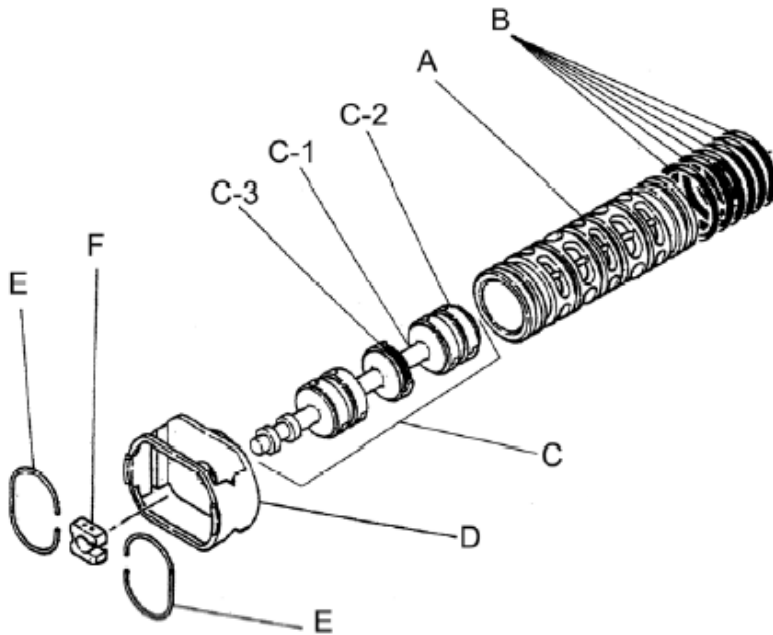
**Body Assembly 803111**

Reference No.	Description	Q'ty	Part No.
5-1	Air Chamber	2	711933
5-2	Body	1	711936
5-3	Throat Bearing	2	772689
5-4	Spring	2	711937
5-5	Pilot Valve Seat	2	771740
5-6	Pilot Valve Assembly	2	832162
5-8	O-ring	2	640020
5-9	Packing	2	685444
5-10	O-ring	2	640029
5-11	Gasket	2	771742
5-12	Flat Head Bolt	12	683812
5-13	Valve Body Assembly	1	802971
5-14	Gasket	1	771712
5-15	Bolt	6	684240
5-18	Plain Washer	12	684987

Yamada America, Inc.  
 955 East Algonquin Rd  
 Arlington Heights, IL 60005  
 Phone: 847.631.9200  
 Fax: 847.631.9273  
 www.yamadapump.com



802971 Valve Body Assembly			
Reference No.	Description	Q'ty	Part No.
5-13-1	Valve Body	1	711931
5-13-2	Cap A	1	580999
5-13-3	Cap B	1	581000
5-13-5	Spring Stopper	1	771735
5-13-6	Reset Button	1	712976
5-13-8	Gasket	2	771738
5-13-9	Bolt	8	685036
5-13-12	C Spool Valve Assy.	1	803115
5-13-12 Seal	Seal Ring	15	771732
5-13-12 Sleeve	Sleeve Assembly	1	803675
5-13-13	O-ring	1	640005
5-13-14	Cushion	4	684128



803115 C-Spool Valve Assembly (5-13-12)			
Reference No.	Description	Q'ty	Part No.
A	Sleeve	1	803675
B	O-ring	6	640036
C	Spool Assembly	1	803114
C-1	Spool	1	771733
C-2	Seal Ring	15	771732
C-3	O-ring	5	640020
D	Spring Retainer	1	771735
E	C-Spring	2	711932
F	Block	1	771734

Yamada America, Inc.  
955 East Algonquin Rd  
Arlington Heights, IL 60005  
Phone: 847.631.9200  
Fax: 847.631.9273  
www.yamadapump.com