

Please read and save this Repair Parts Manual. Read this manual and the General Operating Instructions carefully before attempting to assemble, install, operate or maintain the product described. Protect yourself and others by observing all safety information. The Safety Instructions are contained in the General Operating Instructions. Failure to comply with the safety instructions accompanying this product could result in personal injury and/or property damage! Retain instructions for future reference. AMT reserves the right to discontinue any model or change specifications at any time without incurring any obligation.

©2019 AMT Pump Company, A Subsidiary of The Gorman-Rupp Company, All Rights Reserved.

Periodic maintenance and inspection is required on all pumps to insure proper operation. Unit must be clear of debris and sediment. Inspect for leaks and loose bolts. Failure to do so voids warranty.

# 6" Trash Pump



## DESCRIPTION

This trash pump is heavy duty, centrifugal, engine driven, self-priming (to 20 ft. lift), and transportable unit. Pump is equipped with precision lapped mechanical shaft seal to reduce the likelihood of leakage, and a clog resistant impeller capable of handling solids up to 3" in spherical diameter. Units are used to handle water containing stones, sticks, mud, and other solids (up to 20% by volume). O-ring sealed flange connection to provide leak-free low maintenance operation. Suction flange male NPT threaded for direct coupling to a standard NPS hose connector with rubber gasket. Liquid temperature range is 40° to 180° F (4° to 82° C). Maximum casing pressure if used in a flooded suction application is 50 psi. For use with nonflammable liquids that are compatible with pump component materials.

All models come equipped with a 12V electric starting system (battery not included). A fully plumbed fuel tank is standard. Gas engine units are equipped with a 12 gallon plastic tank and diesel engine units have an 18 gallon aluminum tank. All units equipped with a digital tachometer/hour meter.

Pump and engine are mounted on an easy maintenance sliding frame assembly. Frame can be equipped with pneumatic tires, lighting system, support jacks, and a 2" diameter ball mount tongue hitch. A lunette ring is optional.

Tires, wheels, and lighting system meet DOT requirements and are supplied with certificate of origin and serial number. Check state and local requirements to register trailer/pump for highway towing.

## SPECIFICATIONS

Suction Inlet.....	6" NPT (male)
Discharge Outlet.....	6" NPT (male)
Dimensions (overall)	
Trailer Mounted.....	9'L x 4'W x 5'H
Frame Mounted.....	6'L x 3'W x 3'3"H
Engine.....	5585-H6: 24HP Honda GX670
	5587-D6 23HP Kohler KDW1003
	5587-Y6: 23HP Yanmar 3TNM72-ASA <b>Discontinued</b>

## BASIC CONSTRUCTION

Cast aluminum with cast iron volute, stainless steel impeller, suction flange and discharge manifold. Viton silicon carbide shaft seal, Buna O-rings, Buna/Neoprene suction check valve.

## UNPACKING

Refer to Repair Parts Illustration and Repair Parts List to aid in identifying parts. Unpack and separate all pump components from shipping/packaging materials, making sure all parts are accounted for. Retain all manuals for reference.

Package should contain:

1. Pump and engine completely assembled and mounted to frame.
2. Tongue packaged alone (not attached to frame).
3. Tail lights, side lights, wiring packaged alone.
4. Manuals included: Specifications information and repair parts manual, Operating Instructions/maintenance manual, tachometer/hour meter instructions, engine instruction/owner's manual.

## ASSEMBLY

### Trailer Mounted Pump Tongue Assembly Instructions

1. Remove four mounting bolts and nuts inserted into tongue mounting holes.
2. Position tongue under frame. Line up tongue mounting holes with holes in frame front and middle cross members.
3. Secure tongue to frame by installing four (4) mounting bolts and nuts. Torque to 15-18 ft. lbs.

### Light Kit Assembly Instructions

1. Position wiring harness under tongue, "Y" branch of harness should be under front tongue to frame connection.
2. Feed each branch wiring harness through hole in end of frame cross member and support loops at fender mounting bolts. Green/brown wire harness left side (looking from tongue end to pump end) yellow/brown wire harness right side. Pull harness snug (towards pump end of frame) while keeping "Y" at tongue connection.
3. Remove support loops from tongue. Clip loops over plug end of wire harness. Install loops back into position supporting wire harness. Plug end should be free under coupler end of tongue. Install grounding eye under screw holding loop closest to tongue ball coupler.
4. Clip support loops over harness branches past "Y". Position loops on exposed end of tongue mounting bolts. Secure with a flange nut.
5. Install side lights onto frame side rails. Connect side light wire (wire may be inside lens) with brown wire in each branch harness. Secure connection with splice fitting or wire nut.
6. Feed taillight wires through middle hole of three holes on each end of pump end cross member.
7. Make taillight connections by pushing exposed stranded wire into appropriate hole in rear of taillight. Make certain taillight with license plate light is on the right side (looking from tongue).
8. Clip a support loop over the end of each wire harness.
9. Install license plate holder on right taillight studs. Install both taillight studs thru rear cross member holes. Position support clip on outer taillight stud. Secure taillights with flange nuts.

### Frame Mounted Pump:

1. Unit shipped fully assembled.

**NOTE:** Follow all recommendations in General Operating Instruction and Maintenance Manual provided with this pump. In addition, follow the specific recommendations that follow.

# 6" Trash Pump

## INSTALLATION

### Trailer Mounted Pump

#### **▲ CAUTION**

To avoid trailer tipping, set rear trailer stabilizer jacks before removing trailer from vehicle hitch.

1. Always set trailer tongue stand and rear trailer stabilizer jacks before unhooking trailer hitch from vehicle tow ball.
2. Make sure pump and trailer are level and trailer wheels are blocked to prevent movement during operation.

### Frame Mounted Pump

1. Pump frame must be supported on a level firm surface. Anchoring pump frame to support surface is required to prevent movement or tipping during operation. Mounting holes are provided on bottom flange of frame side rails. Allow sufficient clearance around pump frame to perform routine maintenance.

### All Installations:

1. Suction line should be as short and direct as possible, have a constant slope up to the pump's suction port, and line diameter must match suction port diameter. Use only reinforced non-collapsible hose on pump suction.
2. Check condition of suction hose gaskets before installation. Weak, worn, leaking gaskets will allow an air leak at suction connection. If suction connection leaks air, the pump will not prime.
3. Supports must be used to carry the weight of the suction and discharge lines. The pump should not be used to support the entire weight of the suction and discharge lines. Damage/breakage of pump ports may occur if lines are not supported.
4. If a check valve or collapsible hose is used on discharge, a means of venting air from the pump discharge manifold is required during the priming cycle. If air cannot escape from casing, the pump will not prime.

### Lifting Bail

Pump frame is equipped with a lifting bail.

Lifting bail provides a convenient lifting point if positioning pump with a crane or similar equipment is necessary. Bail and lifting bolt assembly will support only the weight of frame/trailer, pump and driver.

#### **▲ WARNING**

Periodically re-torque lifting bolt assembly to 100 ft. lbs.

#### **▲ WARNING**

Remove suction and discharge lines and drain all liquid from pump before lifting.

#### **▲ WARNING**

Lift pump assembly and trailer only. Do not load piping, hoses or other equipment on trailer during lifting.

## OPERATION

### Starting Unit

1. Fill engine with oil according to engine manufacturer's specifications listed in engine manual supplied.
2. Fill fuel tank with appropriate fuel for engine. Do not fill tank to the top allow at least an inch of airspace.
3. Fill any other required fluid such as antifreeze, etc. (if required by engine manufacturer).
4. Fill pump casing with water through discharge manifold

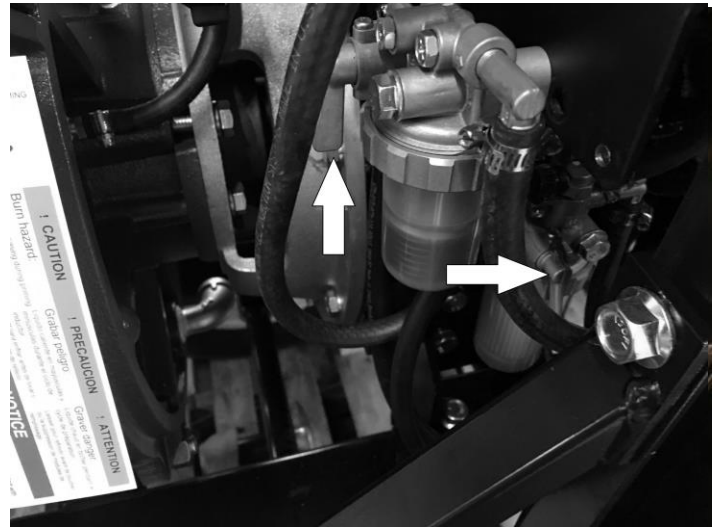


Figure 1 – Fuel Valves

priming port. Casing must be full of water or pump will not prime.

#### **▲ CAUTION**

Do not run pump dry as permanent damage to the mechanical seal will result.

5. Open all valves in the fuel system, fuel tank, fuel filter, & water separator. Valves may be closed for shipping. Operating starter with valves closed may result in an air locked fuel system. Consult engine manufacturer for remedy to air locked fuel system. SEE FIGURE 1
6. Start the engine, following instructions in engine manual.
7. Run engine at full throttle during priming cycle. Tachometer should indicate 3500 rpm or greater.
8. After pump has primed and is producing full flow, engine speed should be regulated to produce desired pump performance level. Under high lift and/or low discharge head conditions, engine speed should be decreased to retard cavitation. This will extend pump, seal, and engine service life.
9. Diesel engine: Maximum operating speed, after full prime, is 3200 rpm.

#### **▲ CAUTION**

Do not operate pump unattended. Shaft seal damage will occur if prime is lost or if flow is insufficient to keep the shaft seal cool.

### Refueling Tank

1. Allow unit to cool before adding fuel to tank.
2. Remove tank cap.
3. Add fuel through fill neck. Watch fuel level gauge during filling and stop adding fuel when the gauge indicates full. Do not overfill tank, allow an inch or two of airspace from fuel level to top of tank.
4. Install tank cap. Rotate clockwise until it hits internal stop indicating that it is sealed.

### Pump End Drain

Pump end is equipped with an NPT drain port. The port is located on the pump adapter plate (Ref. No. C28) at the 6 o'clock position. The elbow (Ref. No. C30) is installed in the port to direct the liquid down through frame. The indented hex pipe plug (Ref. No. C31) is installed in elbow. Use a 9/16" L-hex wrench to remove plug. A ball valve and

# 6" Trash Pump

length of pipe or hose (not supplied) may be installed to direct the drain liquid away from the pump.

## ALWAYS DRAIN LIQUID:

1. After pumping operation is complete if freezing temperatures may be experienced.
2. Before transporting pump.
3. Before lifting pump.

## Seal Wash Ports

These units are equipped with provisions for the addition of a seal wash hose. To extend seal life or when pumping water containing abrasive sediment or when a buildup of material on the shaft seal is encountered, a seal wash may increase seal life. The pump adapter plate is equipped with two 1/8" NPT tapped ports; one at the (high pressure volute discharge) 10 o'clock position on adapter face and one on top of the locating boss (low pressure seal cavity).

**NOTE:** Fittings and hose must be compatible with liquid pumped, liquid temperature, and rated for maximum discharge pressure in the installation.

**NOTE:** Addition of seal wash hose may affect priming performance. After installing seal wash hose monitor length of time required to reach full prime.

## Standard Installation:

Remove 1/8" NPT plugs (Ref. No. C29). Install appropriate fittings and hose between the two ports.

## Abrasive Installation:

Remove 1/8" NPT plugs. Install appropriate fittings and hose between the two ports. The installation of an in-line abrasives separator is recommended. Contact appropriate manufacturer for details.

## Clean Water Injection Installation:

Remove 1/8" NPT pipe plug from low pressure port. Connect external clean water source line to low pressure port of adapter with appropriate hose and fitting. Incoming pressure must be at least 10 psi greater than seal cavity pressure. A check valve is recommended to prevent back flow.

## Transport Trailer:

Pump supplied with trailer gear is for off road use only as shipped. Trailer registration for use on public roads is the responsibility of the owner. A Manufacturer's Certificate of Origin listing the Vehicle Identification Number (VIN) is included with the trailer. Trailer registration requirements are regulated by each state and local government. Contact your State Department of Motor Vehicles or Department of Transportation for information and guidance on licensing or titling the trailer/pump for towing on public roads in your state.

## Ball Coupling Adjustment:

1. Install coupling over correct size trailer hitch mating ball and push down on handle until trigger locks in slot.
2. Pull up and down on tongue to ensure ball fits snug in coupler. There should be no play between coupler and ball.
3. Tighten adjustment nut, located on bottom of coupler opposite the handle, to take up any excessive play.

**NOTE:** If nut is too tight, the handle will not lock into position.

## Towing Safety and Operational Guidelines:

### ▲ CAUTION

Follow all safety and operational rules listed in the following section:

1. Make sure vehicle is capable of towing the load. Make sure vehicle hitch is rated for the load.

2. Make sure the trailer coupler and hitch ball are the same sizes and rated for the load.
3. Make sure trailer coupler is correctly and safely connected to hitch ball. Coupler handle trigger must be positively locked. Install lock pin (not provided) to ensure trigger stays locked during towing.
4. Be sure to use safety chains supplied with trailer. Safety chains should be attached to towing vehicle at the same length on both sides and should not drag on the ground.
5. Never overload trailer. Trailer is rated to carry pump, pump frame and a full load of fuel. Loading other items on the trailer may cause GVW to exceed trailer rating.

### ▲ CAUTION

**Maximum safe highway towing speed is 35 mph. Never allow passengers on the trailer.**

6. Check all lights for proper operation before each use.
7. Check tires for wear and proper inflation before each use. Inflate to psi rating on tire.
8. Check safety chains for wear and solid connection to trailer frame.

## MAINTENANCE

### Sliding Engine Sled Operation

Refer to Repair Parts pages.

### ▲ WARNING

**Disconnect spark plug wires and battery to prevent accidental starting.**

**NOTE:** Drain pump casing (Ref. No. C5) by removing plug (Ref. No. C31). Also drain discharge line, and suction line of all liquid before sliding engine sled.

1. Loosen six 1/2-13 nuts (Ref. No. C47) that are pressing clamp angle to sled.

### To access impeller/seal plate area:

2. Remove three 1/2-13x1-3/4" cap screws (Ref. No. E19) holding bearing housing to pump adapter.
3. Grasp sled (Ref. No. S2) cross member and slide engine/sled assembly back from pump adapter. Slide far enough to access impeller approximately 10" to 12".

**NOTE:** If engine/sled assembly will not slide back easily, the seal plate (Ref. No. E11) may be stuck in pump adapter. Remove two 1/2"-13 x 1" bolts (Ref. No. E12) from bearing housing. Insert two 1/2"-13 x 1-3/4" bolts and tighten evenly and slowly until seal plate loosens from pump adapter.

4. Tighten 1/2-13 nuts to prevent engine/sled from moving during maintenance procedure.

### To access pump volute and inside of casing:

5. Loosen four 5/8-11 x 6-1/2" hex bolts (Ref. No. C12) holding casing to adapter. Slide 5/8" bolt -washer-nut from casing and adapter ear four total bolts.
6. Grasp sled cross member and slide engine/sled assembly back from pump casing. Slide far enough to access volute (Ref. No. C24) approximately 10" to 12".
7. Tighten 1/2-13 nuts to prevent engine/sled from moving during maintenance procedure.

### ▲ WARNING

**Make certain that unit is disconnected from power source before attempting to service or remove any components!**

# 6" Trash Pump

## MECHANICAL SEAL REPLACEMENT

**NOTE:** Always replace the mechanical seal parts (Ref. No. E6 & E7) as an assembly (Ref. No. E5) to ensure proper mating of mechanical components.

**NOTE:** Always inspect impeller stub shaft ball bearing (Ref. No. E14) during seal replacement. The bearing may have been damaged by leaking water. Refer to IMPELLER STUB SHAFT BEARING REPLACEMENT section.

1. Access impeller/seal plate area as described in SLIDING ENGINE SLED OPERATION section.
2. Unscrew impeller (Ref. No. E2) from the impeller stub shaft (Ref. No. E15). Use a rubber mallet or soft block of wood and hammer to loosen impeller. Remove any impeller shims (Ref. No. E3), shaft sleeve and seal head (Ref. E6) from impeller stub shaft.
3. Remove two 1/2-13x1" cap screws (Ref. No. E12) holding seal plate (Ref. No. E11) to bearing housing (Ref. No. E17 or E18). Remove seal plate from bearing housing.
4. Remove impeller shaft washer (Ref. No. E13) and inspect impeller stub shaft ball bearing for water damage or wear. Replace shaft washer with flat surface toward impeller.
5. Push seal seat from the seat plate recess with a screwdriver.
6. Clean the seal plate recess before inserting a new seal seat.
7. Carefully wipe the polished surface of the seal seat with a clean cloth.
8. Wet the rubber portion of the seal seat with a light coating of soapy water.
9. Press the new seal seat squarely into the cavity in the seal plate. If the seal seat does not press squarely into the cavity, it can be adjusted in place by pushing on it with a piece of pipe. Always use a piece of cardboard between the pipe and the seal seat to avoid scratching the seal seat. (This is a lapped surface and must be handled very carefully).
10. After the seal seat is in place, ensure that it is clean and has not been scratched or cracked.
11. Using a clean cloth, wipe the impeller stub shaft and make certain that it is clean.
12. Install seal plate and secure to bearing housing adapter face with two 1/2-13x1 cap screws.
13. Apply a light coating of soapy water to the inside rubber portion of seal head and slide onto the shaft sleeve. Slip the shaft sleeve and seal head onto the impeller stub shaft with seal head lapped surface towards seal seat lapped surface.
14. Replace any impeller shims removed during disassembly.
15. Screw the impeller back in place tightening until it is seated against shims and shaft sleeve.

**NOTE:** Make sure seal spring retainer is not pinched between impeller/shims and end of shaft sleeve.

16. Refer to section entitled Shim Adjustment at this time if shaft sleeve or any other parts listed therein have been replaced.
17. Check seal plate O-ring (Ref. No. C37), make sure it is not damaged or worn and is in position on seal plate.

**NOTE:** Always inspect O-ring seals. Replace when cracked or worn. Wet the O-ring with soapy water for ease of assembly.

18. Slide engine/sled back into position aligning lead diameter on seal plate with adapter inside diameter. Replace three 1/2-13x1-3/4 cap screws. Tighten six 1/2- 13 hex nuts clamping sled to casing frame.
19. Remount any other parts and reconnect spark plug wires and battery.

## SHIM ADJUSTMENT

### Manual Method:

1. When installing a replacement impeller, shaft sleeve, bearing housing, seal plate, or volute (Ref. No. C24), it may be necessary to vary the number of impeller shims that will be required. This is done by adding one shim more than was removed and reassembling the pump as described in Mechanical Seal Replacement section.
2. Ensure that volute, adapter, seal plate and bearing housing are fitted firmly. Check tightness of all fasteners.
3. Remove spark plug wires and bump engine over slightly with electric starter. If engine does not turn freely or interference between impeller and volute can be heard, disassemble pump and remove one shim.

**NOTE:** When adding or removing shims, it is best to proceed with a 0.020" increment each time. If engine does turn freely, add shims until it does strike, then remove a 0.020" shim. This will ensure maximum performance.

4. Proper running clearance is 0.020" to 0.040"
5. Follow the above procedure until proper clearance is obtained.

### Measurement Method:

1. When installing a replacement impeller, shaft sleeve, bearing adapter, seal plate or volute, it may be necessary to vary the number of impeller shims that will be required. This can be accomplished by measurement with a suitable size depth micrometer or similar measuring instrument.
2. Measure depth from pump adapter-seal plate mounting surface to impeller face of volute. Measurement should be close to 5.960".
3. Add or remove impeller shims until height of impeller face to seal plate pump adapter mounting surface measures 0.020" to 0.040" shorter than depth measured in previous step.
4. Slide engine/sled back into position aligning lead diameter on seal plate with adapter inside diameter. Replace three 1/2-13x1-3/4 cap screws. Tighten six 1/2-13 hex nuts clamping side rails to frame rails.
5. Remove spark plug wires and bump engine over slightly with electric starter. If engine does not turn freely or interference between impeller and volute can be heard, disassemble pump and remove one shim. Rotate engine again. Engine must rotate freely.

## IMPELLER AND VOLUTE REPLACEMENT

Impeller and volute are subject to wear only by abrasive sand or sediment laden liquids. If badly worn, all these parts can be replaced and the pump thus restored to full efficiency.

**NOTE:** When the clearance between the impeller and the volute exceeds 1/16" at the face of the impeller or 1/8" on the outside diameter of the impeller, it may be necessary to take corrective action. The increased clearance can cause lengthened priming times and reduce pumping capacity. If both the priming and capacity of your unit are satisfactory for your application, it is recommended that no corrective maintenance be performed regardless of what clearances on your unit may have developed, since the increased clearances in themselves are not generally harmful to your pump. Normally, new pump clearances can be restored by simply shimming behind the impeller. If the impeller is badly worn, it is recommended that the impeller be replaced. This is usually all that is required since only on unusually abrasive services does the cast iron volute show deterioration. Occasionally a stone or hard object might get caught in the impeller and cause damage to the volute/cutwater. In these cases, follow the instructions below for replacement.

# 6" Trash Pump

1. Refer to "Sliding Engine Sled Operation" section for procedure to access the volute and inside of the casing.
2. Remove casing O-ring (Ref. No. C35) from outside diameter of volute (Ref. No. C24) flange.

## **▲ CAUTION**

**A mechanical means of supporting the volute during this procedure is recommended. The volute casting weighs 50 lbs.**

3. Remove three 1/2-13 x 1-1/4" cap screws holding volute to pump adapter (Ref. No. 28). Slide volute out of adapter machined pocket.
  4. Replace worn parts as necessary.
- NOTE:** When replacing volute, attach a new volute gasket (Ref. No. C36) to new volute with fasteners.
- NOTE:** Before installing new parts, clean all mating surfaces thoroughly.
5. Install volute aligning flange outside diameter with adapter machined pocket. Replace three 1/2-13 cap screws. Check for interference between impeller face and volute by slowly rotating engine shaft. See SHIM ADJUSTMENT section for procedure to set impeller clearance.
  6. Inspect casing O-ring for cracks or tears, replace if necessary. Install O-ring on outside diameter of volute flange.
  7. Slide engine sled and engine assembly into casing, align outside diameter of volute flange with casing machined inside diameter, do not pinch casing O-ring. Install four 5/8-11 hex bolts and nuts. Tighten six 1/2-13 hex nuts clamping engine sled in position.

## IMPELLER STUB SHAFT BEARING REPLACEMENT

Gas engine units are equipped with a permanently lubricated impeller shaft ball bearing (Ref. No. E14). Diesel engine units are equipped with two bearings. These bearings support the radial and axial loads produced by the impeller reducing the load on the engine crankshaft bearings. The bearing does not require lubrication but should be inspected periodically for wear or water damage from a leaking shaft seal. As part of a maintenance schedule, the bearing should be replaced periodically.

1. Refer to "Sliding Engine Sled Operation" section. Access impeller as described.
2. Refer to MECHANICAL SEAL REPLACEMENT section. Follow steps 1 through 3; remove impeller, impeller shims, shaft sleeve, seal and seal plate.
3. Remove shaft washer.
4. Remove cap screws (Ref. No. E20 or E21) fastening bearing housing to engine (Ref. No. E38). Diesel engine units: Loosen set screw in impeller stub shaft. Remove bearing housing assembly from engine by sliding away from engine. Gas engine and Vanguard diesel units: disengaging engine PTO shaft from impeller stub shaft. Do not lose shaft key (Ref. No. E16). Yanmar diesel engine units: disengaging flywheel drive hub attached to impeller stub shaft from flywheel drive plate and flywheel bearing.
5. On appropriate bearing press, press stub shaft and bearing from bearing housing adapter. Remove bearing from stub shaft.
6. Replace bearing with equivalent ball bearing. Reassemble bearing, stub shaft and bearing adapter.
7. Gas engine and Vanguard diesel engine units: insert shaft key into engine PTO shaft. Align shaft key with stub shaft key way, slide stub shaft, bearing adapter assembly onto engine and secure with fasteners. Yanmar diesel units: align flywheel drive hub with flywheel drive plate and align end of impeller stub shaft with bearing in flywheel. Slide assembly in until bearing housing seats on engine bell housing. Secure with fasteners.

**NOTE:** Apply a light coating of anti-seize compound to shaft to prevent corrosion and galling.

8. Replace shaft washer onto stub shaft. Flat surface of shaft washer must face impeller.
9. Replace seal plate, shaft sleeve, seal, impeller shims and impeller, turn clockwise to tighten. Refer to MECHANICAL SEAL REPLACEMENT section; follow step 12 and steps 14 through 19 for reassembly procedure.

## CLEANING

These units are designed so that for most cleanout or clogging problems it should not be necessary to remove hoses or piping. The suction area can be reached by removing two threaded handles (Ref. No. C10) and removing suction cleanout cover plate (Ref. No. C11) and O-ring (Ref. No. C34). To reach the impeller chamber or casing discharge areas, follow procedures described in SLIDING ENGINE SLED OPERATION.

**NOTE:** When replacing cleanout cover plate, carefully wipe clean all surfaces on which the O-ring has contact. Also make sure the O-ring is in position in its groove.

## ENGINE (DRIVER)

1. For information pertaining to the engine, engine service and engine parts, consult the Engine Manual or contact the nearest authorized service representative or the engine manufacturer.
2. Follow engine manufacturer's operating and maintenance procedures and recommendations covered in the engine manual.
3. Use tachometer-hour meter installed on the engine to log operating hours. See tachometer-hour meter instruction sheet included for operating information. Perform engine maintenance according to recommended hour intervals listed in engine manual.
4. An engine oil drain extender has been installed in the engine oil drain port to assist in changing the engine oil. Adding longer piping, hose, or a valve to fit each individual's maintenance requirements is left to the discretion of the operator.
5. Consult engine manual for engine warranty information needed. Any warranty issues concerning the engine must be addressed through the engine manufacturer. Warranty contact phone number, website, Authorized Service Representative listing and warranty directions are listed in the engine manual.

### Yanmar 3TNM72

1. Use the engine fuel system hand primer to prime the engine with fuel on initial start-up or whenever the fuel system has been drained. See engine manual for details. Do not use the engine starter to crank the engine until the fuel system is primed.
2. Maximum ambient air temperature during engine operation is 45°C (113°F). Engine may not cool itself effectively if operated when ambient air temperature exceeds this limit. If pump is used below 0°C (32°F) do not allow water to freeze inside the pump. Damage to the pump components will occur if water freezes inside pump.
3. Engine speed may be set at 3600 rpm during the priming cycle. Once pump is fully primed engine speed must be reduced to a maximum speed of 3200 rpm. Damage to engine or pump end may result if operated for an extended period of time at speeds greater than 3200 rpm.

# 6" Trash Pump

## TRAILER GEAR

### Routine Maintenance:

Routine maintenance is required on trailer equipment. Follow guidelines listed.

1. Lubricate ball coupling mechanism as required to ensure smooth positive action.
2. Apply light coating of lubricating grease to tow ball coupler.
3. Inspect safety chains for wear; replace if required. Check safety chain mounting bolt, torque to 20-25 ft. lbs. if required.
4. Torque lug nuts to 85-90 ft. lbs. after initial use then after every 250 miles.
5. Torque tongue to frame mounting bolts (4 total) to 15-18 ft. lbs. every 250 miles or monthly.
6. Torque axle spring hanger to frame mounting bolts (4 total) to 45-50 ft. lbs. every 500 miles or yearly.
7. Torque axle U-bolts to 30-35 ft. lbs. every 500 miles or yearly.
8. Repack wheel bearing with NLGI Grade-2 wheel bearing grease (Pennzoil 302 EP or equivalent) every 1000 miles or yearly.

## EVAPORATIVE EMISSIONS CONTROL INFORMATION

(Pertains to gasoline fuel only)

### Maintenance

1. Periodically check fuel lines, vent lines, fittings, fuel tank, and tank cap for damage or leaks. Clean as needed. Replace any leaking or damaged parts with direct factory replacements or identical EPA certified equivalents.
2. Replacement fuel lines must have the same SAE rating. Fittings must be same type and material. Use factory replacement fuel tank. Tank cap must be metal non-venting type.

### Warranty

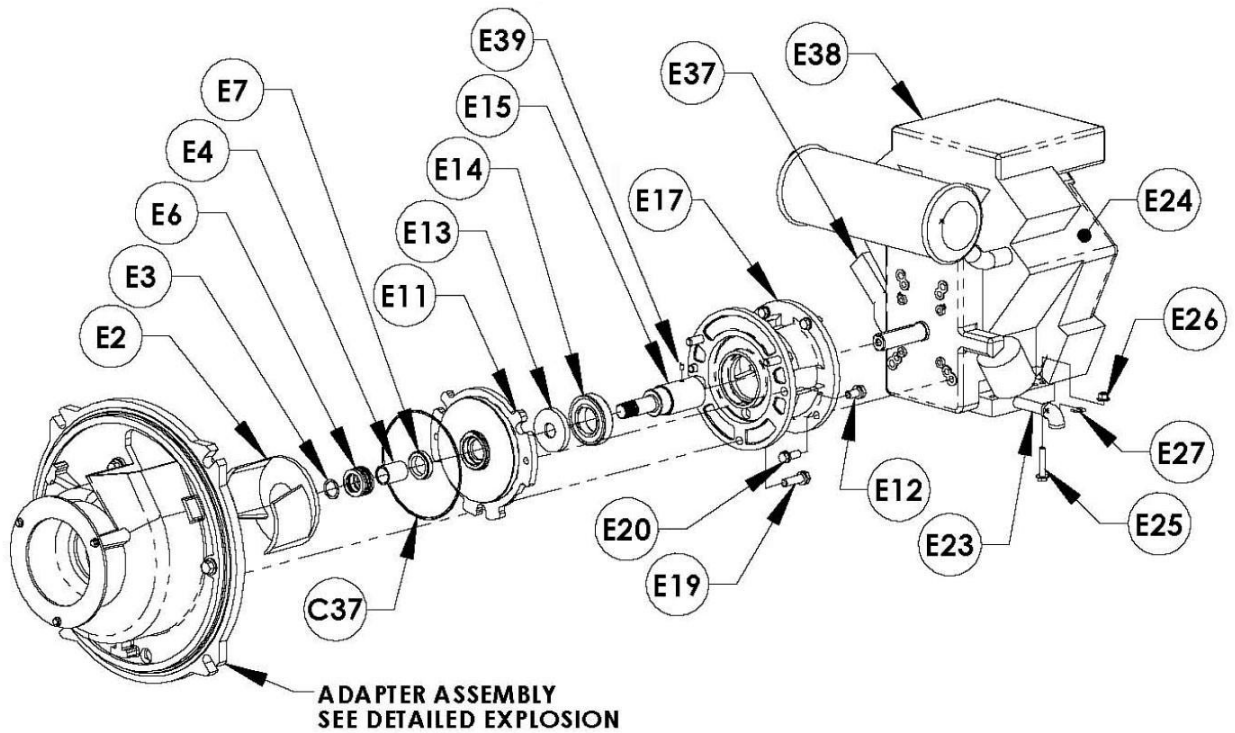
These warranty statements apply solely to the evaporative emissions equipment installed on the unit; fuel tank, fuel tank cap, fuel line, tank vent line, fittings, and valves. For warranty information pertaining to all other parts see the general AMT warranty at <http://www.amtpump.com/products/PDF/warranty.pdf> or contact AMT directly for a printed copy.

1. The evaporative emissions equipment on gasoline fueled pumps is designed, built and equipped to conform to current EPA requirements. They are warranted to be free from defects in materials and workmanship.
2. Warranty coverage may be denied if a part has failed due to abuse, neglect, improper maintenance or unapproved modifications.
3. Warranty period is two years from point of first retail sale.
4. Any warranty claim concerning the evaporative emissions equipment must be directed to the person who last sold the pump, a local distributor, or directly to American Machine and Tool Co. Inc. of PA (AMT).
5. Any part deemed to be defective by AMT will be replaced at no charge and shipped directly to the end user or distributor for replacement. AMT may require the end user to first return the part in question for inspection before replacement parts are shipped.

## For Repair Parts contact dealer where pump was purchased.

Please provide following information:

- Model Number
- Serial Number (if any)
- Part description and number as shown in parts list

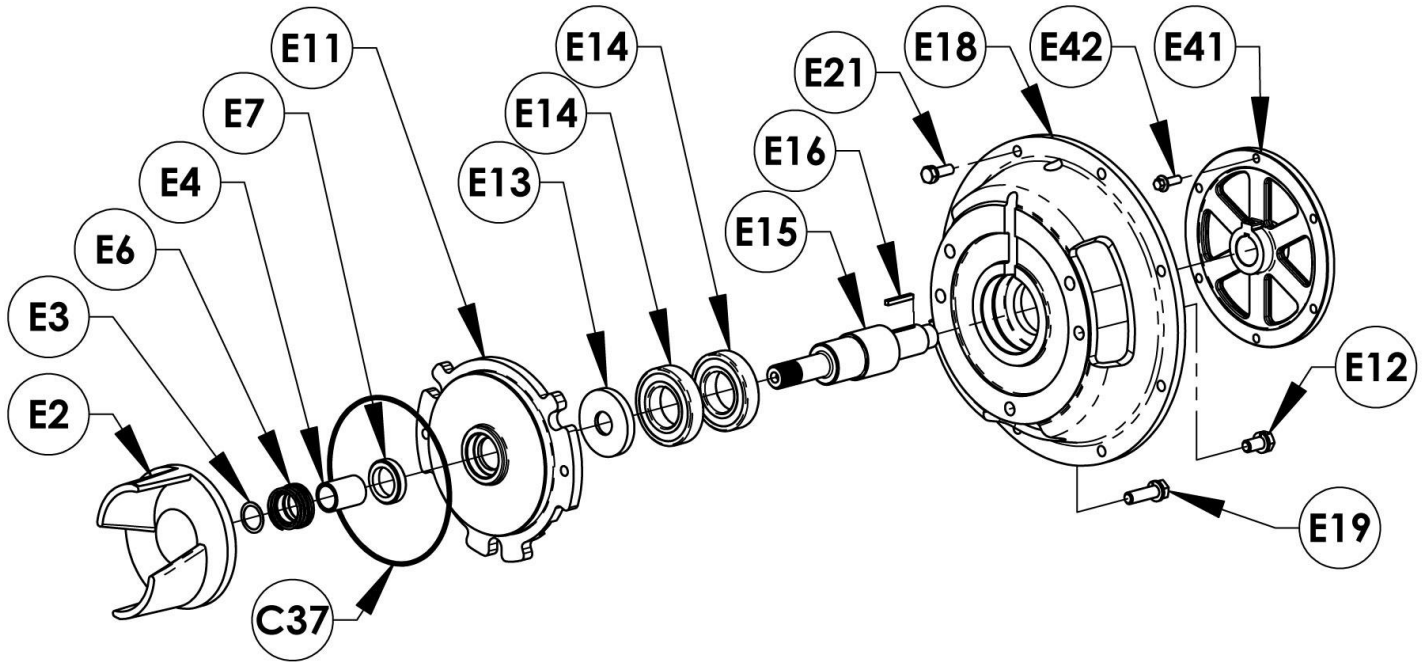


### Gas Engine Pump – Honda

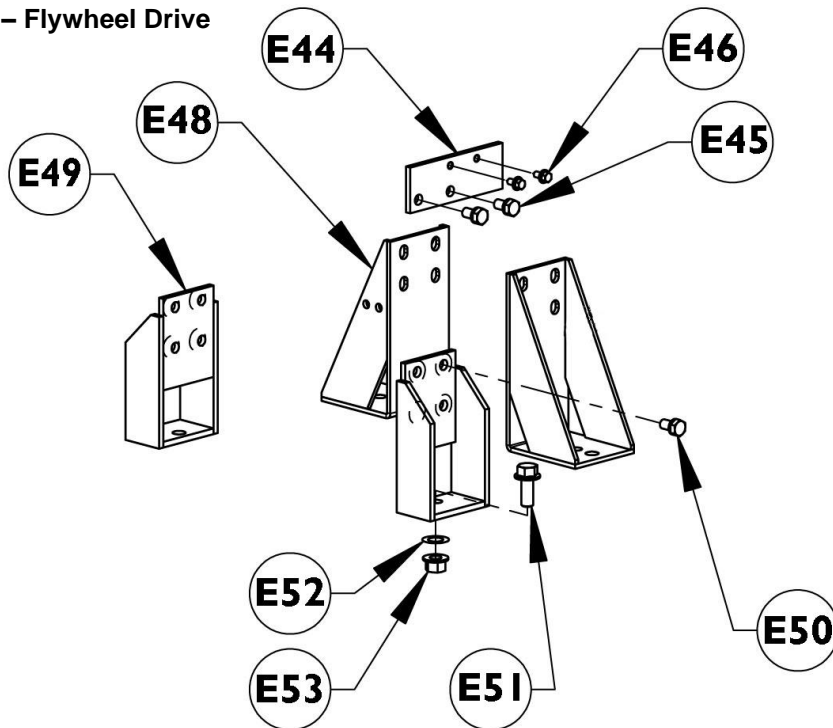
**For Repair Parts contact dealer where pump was purchased.**

Please provide following information:

- Model Number
- Serial Number (if any)
- Part description and number as shown in parts list



**Diesel Engine Pump – Flywheel Drive**



**Diesel Engine Pump –Yanmar**

## Repair Parts List - Engine Explosion

Ref. No.	Description	Part Number for Models:			Qty.
		5585-H6 5586-H6	5587-D6 5588-D6	5587-Y6	
E1	Impeller Kit (includes Ref. Nos. E2, E3, E4)	5585-010-98	5585-010-98	5585-010-98	1
E2	Impeller	Incl. w/E1	Incl. w/E1	Incl. w/E1	1
E3	Impeller Shim Package	Incl. w/E1	Incl. w/E1	Incl. w/E1	1
E4	Shaft Sleeve	25FP-140-06	25FP-140-06	25FP-140-06	1
E5	Mechanical Shaft Seal Kit (includes Ref. Nos. E6, E7)	5585-301-90	5585-301-90	5585-301-90	1
E6	Shaft Seal Head	Incl. w/E5	Incl. w/E5	Incl. w/E5	1
E7	Shaft Seal Seat	Incl. w/E5	Incl. w/E5	Incl. w/E5	1
E8	Seal Plate/Bearing Housing Kit (includes Ref. Nos. E11 thru E17 or E18, E19, E20 or E21, E39)	5585-090-95	5587-091-96	5587-090-96	1
E9	Seal Plate Kit (includes Ref. No. E11)	5585-031-95	5585-031-95	5585-031-95	1
E10	Stub Shaft Kit (includes Ref. Nos. E13, E14, E15, E16)	N/A	5587-140-90	5587-140-90	1
E10	Stub Shaft Kit (includes Ref. Nos. E13, E14, E15, E16, E39)	5585-140-90	N/A	N/A	1
E11	Seal Plate	Incl. w/E9 & E11	Incl. w/E9 & E11	Incl. w/E9 & E11	1
E12	1/2-13x1 Hex Screw	Incl. w/E8	Incl. w/E8	Incl. w/E8	2
E13	Stub Shaft Washer	Incl. w/E8 & E10	Incl. w/E8 & E10	Incl. w/E8 & E10	1
E14	Ball Bearing Sealed #6209 (45idx85odx19w)	N/A	Incl. w/E8 & E10	Incl. w/E8 & E10	2
E15	Stub Shaft	Incl. w/E8 & E10	Incl. w/E8 & E10	Incl. w/E8 & E10	1
E16	1/4 Square x 1-1/2" Long Drive Key	Incl. w/E8 & E10	Incl. w/E8 & E10	Incl. w/E8 & E10	1
E17	Bearing Housing/Engine Adapter	Incl. w/E8	N/A	N/A	1
E18	Bearing Housing/Bell Housing Adapter	N/A	Incl. w/E8	Incl. w/E8	1
E19	1/2-13x1-3/4 Hex Screw	Incl. w/E8	Incl. w/E8	Incl. w/E8	3
E20	7/16-14x1-1/4 Hex Screw	Incl. w/E8	N/A	N/A	4
E21	M10x1.5x30mm Hex Screw	N/A	N/A	Incl. w/E8	8
E21	3/8-16 x 1 Flange Bolt	N/A	Incl. w/E8	N/A	8
E22	Gasoline engine Mounting Hardware	5585-420-90	N/A	N/A	1
E23	Engine Oil Drain Extender	Incl. w/E22	N/A	N/A	1
E24	Tachometer/Hour Meter	Incl. w/E22	N/A	N/A	1
E25	Mounting Bolts	Incl. w/E22	N/A	N/A	4
E26	Mounting Nuts	Incl. w/E22	N/A	N/A	4
E27	Engine Shim Set	Incl. w/E22	N/A	N/A	1
E28	Diesel Engine Hardware Kit	N/A	N/A	N/A	1
E29	Tachometer/Hour Meter	N/A	N/A	N/A	1
E30	Tachometer Wire Harness	N/A	N/A	N/A	1
E31	Throttle Control (includes Head and Cable)	N/A	N/A	N/A	1
E32	Diesel Engine Mounting Hardware Kit	N/A	N/A	N/A	1
E33	3/8-16x1 Hex Bolt	N/A	N/A	N/A	8
E34	3/8-16 Hex Flange Nut	N/A	N/A	N/A	8
E35	Mounting Shim Set	N/A	N/A	N/A	1
E36	Fan Guard Assembly	N/A	N/A	N/A	1
E37	Battery Box Kit (includes box and hardware)	See Ref. S9	See Ref. S9	See Ref. S9	1
	"+" Battery Cable	See Ref. S9	See Ref. S9	See Ref. S9	1
	"-" Battery Cable	See Ref. S9	See Ref. S9	See Ref. S9	1
E38	Engine	1639-010-90	1639-100-90	Discontinued	1
E39	1/4-20 x 3/8 Set Screw	Incl. w/E8 & E10	Incl. w/E8 & E10	N/A	1
E40	SAE 6-1/2 Drive Plate Kit (includes Ref. Nos. E41, E42)	N/A	5587-401-90	5587-400-90	1
E41	SAE 6-1/2 Drive Plate	N/A	Incl. w/E40	Incl. w/E40	1
E42	M8x1.25x20 Cap Screw	N/A	N/A	Incl. w/E40	6
E42	5/16-18 X 1 Hex Flange Screw	N/A	Incl. w/E40	N/A	6
E43	Engine Bracket Kit (includes Ref. Nos. E44 thru E46)	N/A	N/A	5587-421-90	1
E44	Control Box Bracket Adapter	N/A	N/A	Incl. w/E43	1
E45	M10x1.5x20 Cap Screw	N/A	N/A	Incl. w/E43	2
E46	1/4-20x1/2 Hex Screw	N/A	N/A	Incl. w/E43	4
E47	Engine Mounting Feet Kit (includes Ref. Nos. E48 thru E53)	N/A	N/A	5587-420-90	1
E48	Engine Block Foot	N/A	N/A	Incl. w/E52	2
E49	Engine Bell Housing Foot	N/A	N/A	Incl. w/E52	2
E50	M10x1.5x20 Hex Screw	N/A	N/A	Incl. w/E52	8
E51	1/2-13x1-1/4 Hex Bolt	N/A	N/A	Incl. w/E52	4
E52	Shim	N/A	N/A	Incl. w/E52	8
E53	1/2-13 Hex Nut	N/A	N/A	Incl. w/E52	4
E54	Engine Mounting Angle For Kohler (not shown) (includes Ref. Nos. E55 thru E58)	N/A	5587-420-91	N/A	1
E55	Kohler Front Angle Mount	N/A	Incl. w/E47	N/A	1
E56	3/8-16 x 1-1/4 Hex Bolt	N/A	Incl. w/E47	N/A	6
E57	3/8-16 Hex Nut	N/A	Incl. w/E47	N/A	6
E58	Washer	N/A	Incl. w/E47	N/A	4
E59	Throttle Control For Kohler (not shown)	N/A	5587-422-90	N/A	1
KIT	Complete Seal Kit (includes Ref. Nos. E5, C16 and C32)	5585-302-90	5585-302-90	5585-302-90	1
55N/S	Control Box/Tachometer/Hour Meter	N/A	N/A	Call for Availability	1



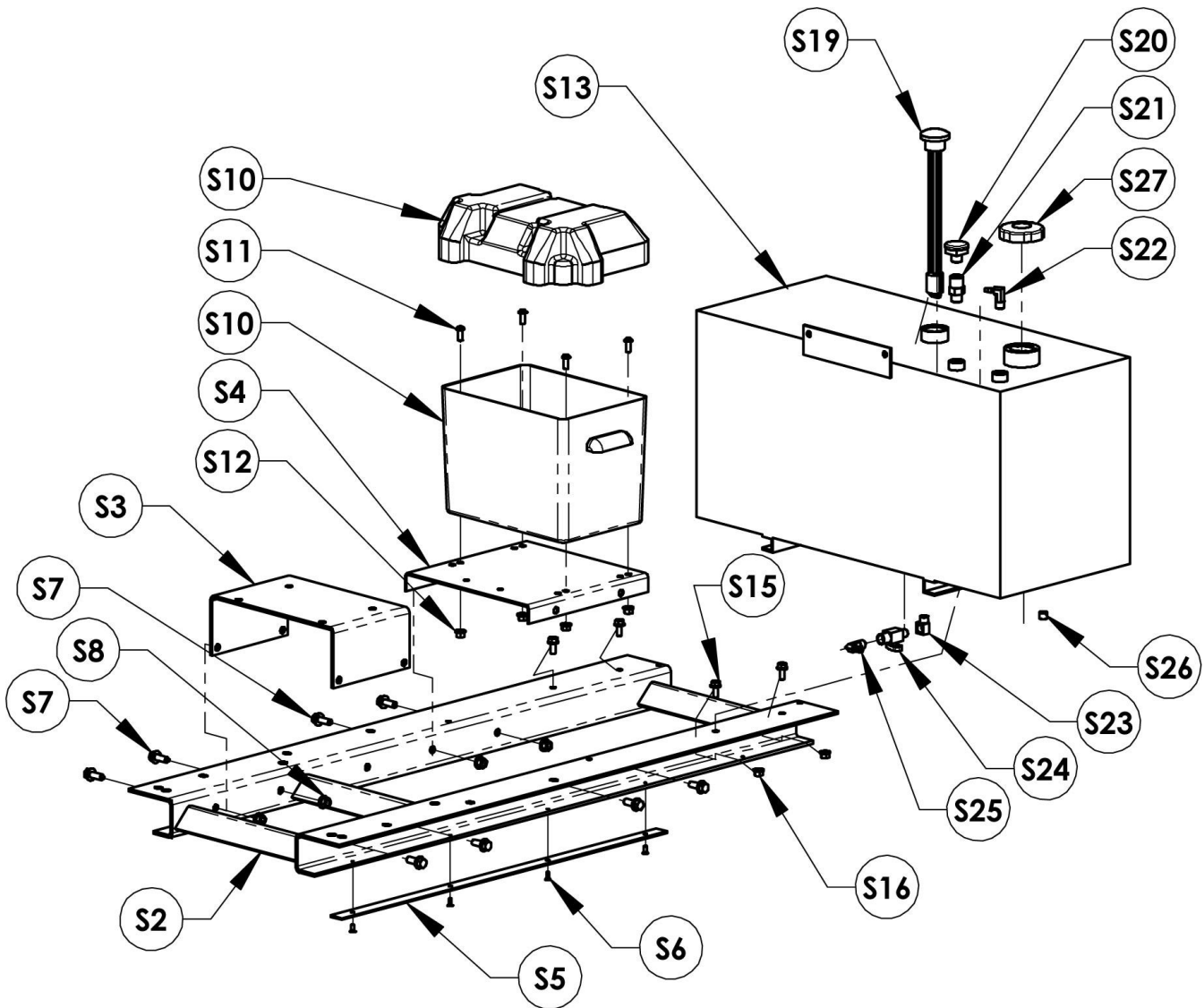
## Repair Parts List - Frame Explosion

Ref. No.	Description	Part Number for Models:			Qty.
		5585-H6 5586-H6	5587-D6 5588-D6	5587-Y6	
F1	Frame Kit	5585-100-90	5585-100-90	5585-100-90	1
F2	Lifting Bail Kit (includes Ref. Nos. F3 thru F9)	5585-103-90	5585-103-90	5585-103-90	1
F3	Lifting Bail	Incl. w/F2	Incl. w/F2	Incl. w/F2	1
F4	5/8-11x3-1/2 Heavy Hex Bolt	Incl. w/F2	Incl. w/F2	Incl. w/F2	1
F5	Bolt Spacer	Incl. w/F2	Incl. w/F2	Incl. w/F2	1
F6	5/8-11 Heavy Hex Nut	Incl. w/F2	Incl. w/F2	Incl. w/F2	1
F7	Lifting Support	Incl. w/F2	Incl. w/F2	Incl. w/F2	2
F8	1/2-13x1-1/4 Hex Flange Bolt	Incl. w/F2	Incl. w/F2	Incl. w/F2	8
F9	1/2-13 Hex Flange Nut	Incl. w/F2	Incl. w/F2	Incl. w/F2	8
F10	Vibration Dampener Kit (includes Ref. Nos. F11 thru F16)	5585-111-90	5585-111-90	5585-111-90	5
F11	1/2-13x2-1/4 Hex Bolt	Incl. w/F10	Incl. w/F10	Incl. w/F10	1
F12	5/8 Washer	Incl. w/F10	Incl. w/F10	Incl. w/F10	1
F13	Rubber Washer	Incl. w/F10	Incl. w/F10	Incl. w/F10	3
F14	Sleeve	Incl. w/F10	Incl. w/F10	Incl. w/F10	1
F15	1/2 Washer	Incl. w/F10	Incl. w/F10	Incl. w/F10	1
F16	1/2-13 Hex Flange Nut	Incl. w/F10	Incl. w/F10	Incl. w/F10	1
<b>NOTE: Following parts are for trailer mounted units, not included on skid mounted units (5586-H6, 5586-D6 &amp; 5586-Y6).</b>					
F17	Fender Kit (includes Ref. Nos. F18 thru F21)	5585-440-90	5585-440-90	5585-440-90	1
F18	Fender	Incl. w/F17	Incl. w/F17	Incl. w/F17	2
F19	5/16-18x1-1/4 Hex Flange Bolt	Incl. w/F17	Incl. w/F17	Incl. w/F17	4
F20	5/16-18 Hex Flange Nut	Incl. w/F17	Incl. w/F17	Incl. w/F17	4
F21	Coupler/Safety Chain Kit (includes Ref. Nos. F22 thru F27)	5585-441-90	5585-441-90	5585-441-90	1
F22	2" Ball Coupler	Incl. w/F21	Incl. w/F21	Incl. w/F21	1
F23	1/2-13x3-1/2 Hex Bolt	Incl. w/F21	Incl. w/F21	Incl. w/F21	3
F24	1/2-13 Hex Flange Nut	Incl. w/F21	Incl. w/F21	Incl. w/F21	3
F25	Safety Chain (not shown)	Incl. w/F21	Incl. w/F21	Incl. w/F21	2
F26	3/8-16x4 Hex Bolt (not shown)	Incl. w/F21	Incl. w/F21	Incl. w/F21	1
F27	3/8-16 Hex Nut (not shown)	Incl. w/F21	Incl. w/F21	Incl. w/F21	2
F28	Tongue Kit (includes Ref. Nos. F29 thru F31)	5585-107-90	5585-107-90	5585-107-90	1
F29	Tongue	Incl. w/F28	Incl. w/F28	Incl. w/F28	1
F30	5/16-18x1-1/4 Hex Flange Bolt	Incl. w/F28	Incl. w/F28	Incl. w/F28	4
F31	5/16-18 Hex Flange Nut	Incl. w/F28	Incl. w/F28	Incl. w/F28	4
F32	Jack	5585-443-00	5585-443-00	5585-443-00	1
F33	Tire/Wheel Kit	5585-444-00	5585-444-00	5585-444-00	2
F34	Axle/Spring Kit (includes Ref. Nos. F35 thru F39)	5585-445-90	5585-445-90	5585-445-90	1
F35	Axle	Incl. w/F34	Incl. w/F34	Incl. w/F34	1
F36	Springs and Hangers	Incl. w/F34	Incl. w/F34	Incl. w/F34	1
F37	U Bolts/Plates/Nuts	Incl. w/F34	Incl. w/F34	Incl. w/F34	1
F38	1/2-13x1-1/4 Hex Flange Bolt	Incl. w/F34	Incl. w/F34	Incl. w/F34	4
F39	1/2-13 Hex Flange Screw	Incl. w/F34	Incl. w/F34	Incl. w/F34	4
F40	Light Kit (includes: tail lights, side lights, protective conduit, & connection plug)	5585-351-90	5585-351-90	5585-351-90	1
F41	Support Leg Kit (includes Ref. Nos. F42, F43)	5585-108-90	5585-108-90	5585-108-90	2
F42	5/8x3" Long Pin with Cotter Key	Incl. w/F41	Incl. w/F41	Incl. w/F41	2
F43	Support Leg	Incl. w/F41	Incl. w/F41	Incl. w/F41	2

**For Repair Parts contact dealer where pump was purchased.**

Please provide following information:

- Model Number
- Serial Number (if any)
- Part description and number as shown in parts list



**Sled Explosion**

## Repair Parts List - Sled Explosion

Ref. No.	Description	Part Number for Models:			Qty.
		5585-H6 5586-H6	5587-D6 5588-D6	5587-Y6	
S1	Engine Sled Kit (includes Ref. Nos. S2 thru S8)	5585-102-90	5585-102-92	5585-102-91	1
S2	Sled	Incl. w/S1	Incl. w/S1	Incl. w/S1	1
S3	Engine Mounting Bracket	Incl. w/S1	N/A	N/A	1
S4	Battery Mounting Bracket	Incl. w/S1	Incl. w/S1	Incl. w/S1	1
S5	Slip Strip	Incl. w/S1	Incl. w/S1	Incl. w/S1	2
S6	#10-24X1/2 Flat Head Screw	Incl. w/S1	Incl. w/S1	Incl. w/S1	8
S7	3/8-16x1 Hex Flange Bolt	Incl. w/S1	N/A	N/A	8
S7	3/8-16x1 Hex Flange Bolt	N/A	N/A	Incl. w/S1	4
S7	3/8-16x1 Hex Flange Bolt	N/A	Incl. w/S1	N/A	2
S8	3/8-16 Hex Flange Nut	Incl. w/S1	N/A	N/A	8
S8	3/8-16 Hex Flange Nut	N/A	N/A	Incl. w/S1	4
S8	3/8-16 Hex Flange Nut	N/A	Incl. w/S1	N/A	2
S9	Battery Box Kit (includes Ref. Nos. S10 thru S12)	5585-350-91	5585-350-91	5585-350-91	1
S10	Battery Box	Incl. w/S9	Incl. w/S9	Incl. w/S9	1
S11	5/16-18x3/4 Hex Flange Bolt	Incl. w/S9	Incl. w/S9	Incl. w/S9	4
S12	5/16-18 Hex Flange Nut	Incl. w/S9	Incl. w/S9	Incl. w/S9	4
	"+" Battery Cable	5587-350-90	5587-350-90	5587-350-90	1
	"-" Battery Cable	5587-351-90	5587-351-90	5587-351-90	1
S13	Fuel Tank	5585-171-00	5585-171-00	5585-171-00	1
S14	Fuel Tank Mounting Kit (includes Ref. Nos. S15, S16)	5585-171-91	5585-171-91	5585-171-91	1
S15	5/16-18x3/4 Hex Flange Bolt	Incl. w/S14	Incl. w/S14	Incl. w/S14	4
S16	5/16-18 Hex Flange Nut	Incl. w/S14	Incl. w/S14	Incl. w/S14	4
S17	Fuel Hose and Fitting Kit (Gasoline) (includes (1) 1/4id fuel hose, (1) tank vent hose, (4) hose clamps, (all not shown), Ref. Nos. S19 thru S26)	5585-171-93	N/A	N/A	1
S18	Fuel Hose and Fitting Kit (Kohler Diesel) (includes (1) 3/16id fuel hose, (1) 1/4id fuel hose, (4) hose clamps, (all not shown), Ref. Nos. S19, S20, S22, S23, S24, S25, and S26)	N/A	5587-170-92	N/A	1
S18	Fuel Hose and Fitting Kit (Yanmar Diesel) (includes (2) 5/16id fuel hose, (1) 1/4id fuel hose, (6) hose clamps, (all not shown), Ref. Nos. S19, S20, S22, S23, S24, S25, and S26)	N/A	N/A	5587-170-91	1
S19	Fuel Level Gauge	Incl. w/S17	Incl. w/S18	Incl. w/S18	1
S20	Fuel Tank Vent 3/8" NPT	Incl. w/S17	Incl. w/S18	Incl. w/S18	1
S21	Fuel Vent Check Valve 3/8" NPT	N/A	N/A	N/A	1
S22	Hose Barb Elbow	Incl. w/S17	N/A	N/A	1
S22	1/4" NPT Plug	N/A	Incl. w/S18	Incl. w/S18	1
S23	1/4" NPT Street Elbow	Incl. w/S17	Incl. w/S18	Incl. w/S18	1
S24	1/4" NPT Valve	Incl. w/S17	Incl. w/S18	Incl. w/S18	1
S25	1/4" NPT x 1/4" Hose Barbed Fitting	Incl. w/S17	Incl. w/S18	N/A	1
S25	1/4" NPT x 5/16" Hose Barbed Fitting	N/A	N/A	Incl. w/S18	1
S26	1/4" NPT Plug	Incl. w/S17	N/A	N/A	1
S26	1/4" NPT x 1/4" Hose Barbed Elbow	N/A	N/A	Incl. w/S18	1
S26	1/4" NPT x 3/16" Hose Barbed Elbow	N/A	Incl. w/S18	N/A	1
S27	Fuel Tank Cap	5585-172-00	5585-172-00	5585-172-00	1

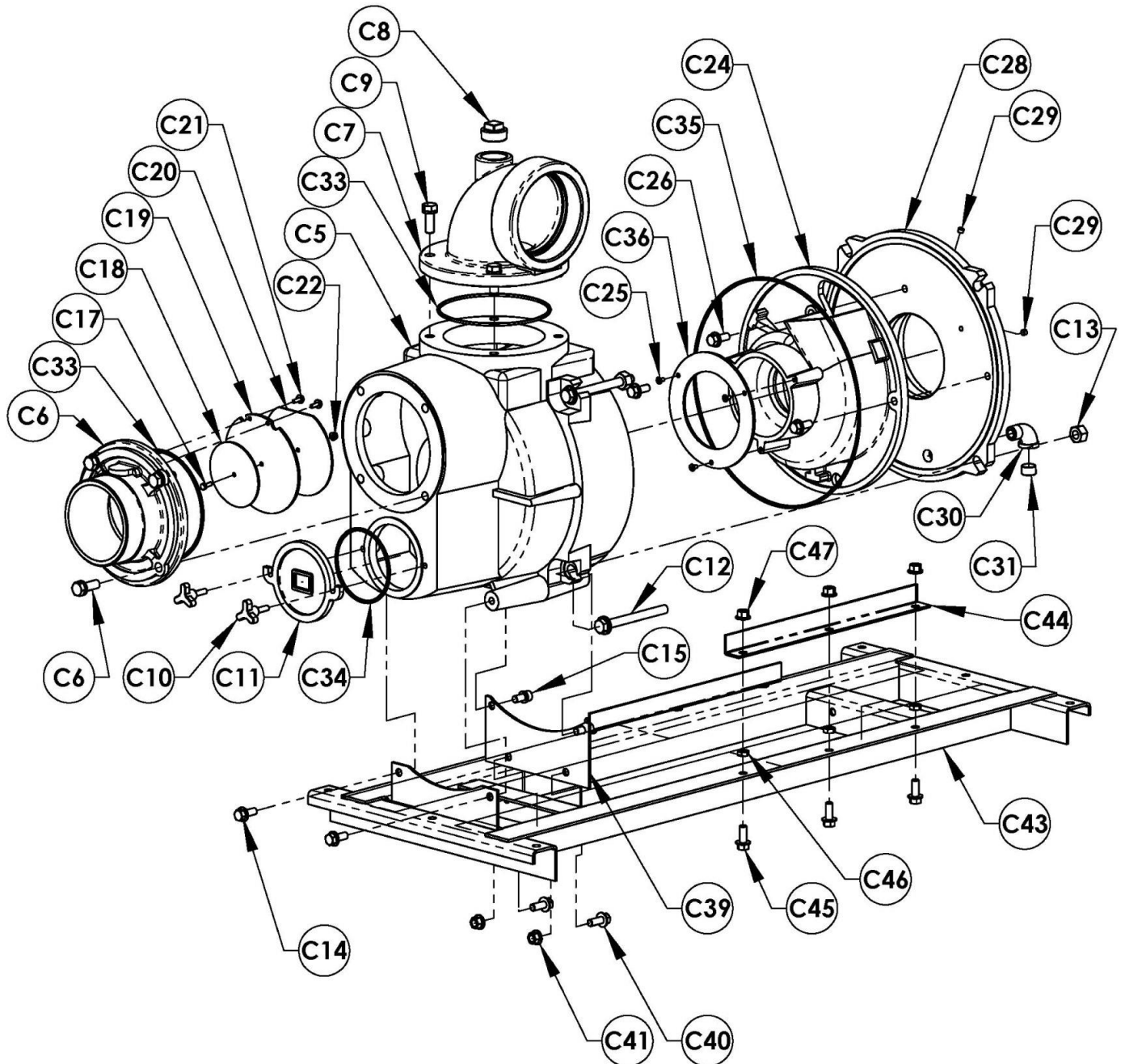
## For Repair Parts contact dealer where pump was purchased.

Please provide following information:

-Model Number

-Serial Number (if any)

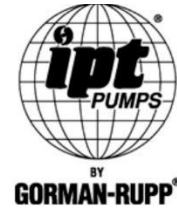
Part description and number as shown in parts list



**Casing Mounting Explosion**

## Repair Parts List - Casing Mounting Explosion

Ref. No.	Description	5585-H6	5587-D6	5587-Y6	Qty.
		5586-H6	5588-D6		
C1	Casing Kit (includes Ref. Nos. C5, C12, C13, C14, and C15)	5585-001-96	5585-001-96	5585-001-96	1
C2	Suction Flange Kit (includes Ref. Nos. C6, and C9)	5585-082-95	5585-082-95	5585-082-95	1
C3	Discharge Manifold Kit (includes Ref. Nos. C7, C8, and C9)	5585-081-95	5585-081-95	5585-081-95	1
C4	Clean-out Cover Kit (includes Ref. Nos. C10, and C11)	5585-040-95	5585-040-95	5585-040-95	1
C5	Casing	Incl. w/C1	Incl. w/C1	Incl. w/C1	1
C6	Suction Flange	Incl. w/C2	Incl. w/C2	Incl. w/C2	1
C7	Discharge Manifold	Incl. w/C3	Incl. w/C3	Incl. w/C3	1
C8	1-1/2" NPT Plug	Incl. w/C3	Incl. w/C3	Incl. w/C3	1
C9	5/8-11x1-3/4 Hex Screw	Incl w/C2 & C3	Incl w/C2 & C3	Incl w/C2 & C3	4
C10	3/8-16x1-1/4 Handle	1601-000-00	1601-000-00	1601-000-00	2
C11	Clean-out Cover	Incl. w/C4	Incl. w/C4	Incl. w/C4	1
C12	5/8-11x6-1/2 Hex Bolt	Incl. w/C1	Incl. w/C1	Incl. w/C1	4
C13	5/8-11 Heavy Hex Nut	Incl. w/C1	Incl. w/C1	Incl. w/C1	4
C14	1/2-13x1-1/4 Hex Screw	Incl. w/C1	Incl. w/C1	Incl. w/C1	2
C15	1/2-13x1 Cap Screw	Incl. w/C1	Incl. w/C1	Incl. w/C1	2
C16	Flapper/Check Valve Kit (includes Ref. Nos. C17 thru C22)	5585-070-90	5585-070-90	5585-070-90	1
C17	1/4-20x3/4 Hex Bolt	Incl. w/C16	Incl. w/C16	Incl. w/C16	1
C18	Valve Weight Front	Incl. w/C16	Incl. w/C16	Incl. w/C16	1
C19	Valve	Incl. w/C16	Incl. w/C16	Incl. w/C16	1
C20	Valve Weight Rear	Incl. w/C16	Incl. w/C16	Incl. w/C16	1
C21	1/4-20x1/2 Hex Screw	Incl. w/C16	Incl. w/C16	Incl. w/C16	2
C22	1/4-20 Hex Nut	Incl. w/C16	Incl. w/C16	Incl. w/C16	1
C23	Volute Kit (includes Ref. Nos. C24 thru C26)	5585-150-95	5585-150-95	5585-150-95	1
C24	Volute	Incl. w/C23	Incl. w/C23	Incl. w/C23	1
C25	1/4-20x1/2 Hex Screw	Incl. w/C23	Incl. w/C23	Incl. w/C23	3
C26	1/2-13x1-1/4 Hex Screw	Incl. w/C23	Incl. w/C23	Incl. w/C23	3
C27	Adapter Kit (includes Ref. Nos. C28 thru C31)	5585-030-96	5585-030-96	5585-030-96	1
C28	Adapter	Incl. w/C27	Incl. w/C27	Incl. w/C27	1
C29	1/8" NPT Plug	Incl. w/C27	Incl. w/C27	Incl. w/C27	2
C30	3/4" NPT Street Elbow	Incl. w/C27	Incl. w/C27	Incl. w/C27	1
C31	3/4" NPT Plug	Incl. w/C27	Incl. w/C27	Incl. w/C27	1
C32	Seal Kit (includes Ref. Nos. C33 thru C37)	5585-300-90	5585-300-90	5585-300-90	1
C33	O-ring #369 (3/16x8" id)	Incl. w/C32	Incl. w/C32	Incl. w/C32	2
C34	O-ring #355 (3/16x5-1/4" id)	Incl. w/C32	Incl. w/C32	Incl. w/C32	1
C35	O-ring #386 (3/16x17" id)	Incl. w/C32	Incl. w/C32	Incl. w/C32	1
C36	Volute Gasket	Incl. w/C32	Incl. w/C32	Incl. w/C32	1
C37	O-ring #262 (1/8x7" id)	Incl. w/C32	Incl. w/C32	Incl. w/C32	1
C38	Casing Mounting Kit (includes Ref. Nos. C39 thru C41)	5585-110-90	5585-110-90	5585-110-90	1
C39	Casing Mounting Plate	Incl. w/C38	Incl. w/C38	Incl. w/C38	1
C40	1/2-13X1-1/4" Hex Bolt	Incl. w/C38	Incl. w/C38	Incl. w/C38	2
C41	1/2-13 Hex Nut	Incl. w/C38	Incl. w/C38	Incl. w/C38	2
C42	Angle Frame Kit (includes Ref. Nos. C43 thru C47)	5585-101-90	5585-101-90	5585-101-90	1
C43	Angle Frame	Incl. w/C42	Incl. w/C42	Incl. w/C42	1
C44	Clamp Angle	Incl. w/C42	Incl. w/C42	Incl. w/C42	2
C45	1/2-13X1-1/4" Hex Bolt	Incl. w/C42	Incl. w/C42	Incl. w/C42	6
C46	1/2-13 Hex Jam Nut	Incl. w/C42	Incl. w/C42	Incl. w/C42	6
C47	1/2-13 Hex Flange Nut	Incl. w/C42	Incl. w/C42	Incl. w/C42	6



## General Information

**SALES POLICY:** AMT products are sold through our established Distributors. We do not sell direct to the consumer or organization not entitled to trade recognition. Therefore, possession of our catalogs and/or price list(s) does not infer an offer to sell.

**MINIMUM ORDER:** We appreciate your order, however, all orders are subject to a minimum \$35.00 net invoice charge (excluding freight). This applies to all pump and parts purchase orders.

**PRICES:** Prices are subject to change without notice. All orders accepted are subject to prices in effect at time of shipment.

**PAYMENT TERMS:** Terms, upon establishment of credit, are Net 30 days. Past due accounts may be subject to a service charge of 1.5% per month. Domestic or assignable letter of credit is required for all export trade.

**PAST DUE ACCOUNTS:** AMT reserves the right to withhold open account shipments on any past due account. Invoices are considered past due after thirty (30) days. In the interest of sound business, all orders are subject to approval of the Credit Department.

**SHIPPING INSTRUCTIONS:** All shipments will be made F.O.B. the factory. Where instructions for shipment do not appear on the order, the shipment will be made according to our best judgment. Full risk of loss (including transportation delays and losses) shall pass to the customer upon delivery of the products to the carrier at the F.O.B. point. When loss or delay occurs, primary responsibility for tracing rests with the customer. When there is LOSS or APPARENT VISIBLE DAMAGE to a shipment, when tendered for delivery, **DO NOT** give the carrier a clear receipt. Note such damage on the carrier's delivery receipt and **HAVE THE DRIVER SIGN THE RECEIPT.**

**PRODUCT REVISIONS:** AMT reserves the right to discontinue, change or improve its products or any portions thereof without being obligated to provide such a change or improvement for units sold and/or shipped prior to such a change or improvement.

**LEAD TIME:** Products designated "Quick Ship Product", also referred to as "QSP" will normally be shipped within 24 hours of receipt of a non-cancellable purchase order. Only limited quantities of "QSP" pumps are available.

**STANDARD LEAD TIME:** Lead time is two weeks for all non "QSP" product. AMT reserves the right to revise lead times as required due to availability of materials and all other causes beyond our control.

**VIP SHIPMENT:** Select AMT and IPT branded pumps are available for next day shipment for non-QSP (Quick Ship Products) items and subjected to a specific model surcharge per unit noted in the respective price book. Requires calling for availability, confirmation and a non-cancellable purchase order or credit card payment prior to shipment. The expedited shipping charges are an additional cost added separately from the VIP charges per item. AMT reserves the right to revise lead times as required due to availability of materials and all other causes beyond our control. QSP quantities are limited as determined by AMT.

ALL purchase orders must be submitted via hard copy sent to AMT customer service department by fax, EDI or e-mail.

**RETURN GOODS POLICY:** Goods shall not be returned without a return goods authorization number (RGA) issued by AMT customer service. The RGA number must be listed on the packing list. Only current model and part numbers with a valid date code may be returned (within one year from date of purchase). **A 20% restocking and packaging charge will apply to all returns. All shipping charges must be pre-paid. No exceptions.**

**ORDER CHANGES BY CUSTOMER:** Orders in process may not be changed except with written consent and may be subject to special charges.

## 12 Month Limited Warranty

### EXTENT AND DURATION OF LIMITED WARRANTY

**Coverage:** AMT Pump Company (herein "AMT") or IPT Pumps by Gorman-Rupp (herein "IPT") or Gorman-Rupp Industries Division of the The Gorman-Rupp Company, Patterson, or the Gorman-Rupp Company (herein referred to as "G-R Unit") each individually warrants that its products and parts shall be free from defects in material and workmanship for twelve (12) months from the date of purchase by the original end user when installation is made and maintenance is performed in accordance with G-R Unit's recommendations. Wear and tear resulting from use and items normally consumed in use are not covered.

### EXCEPTIONS

( A ) This Limited Warranty shall not apply to mechanical seals in AMT or IPT pumps and the following products and parts: engines, motors, trade accessories and all other products, components, parts and materials not manufactured by the G-R Units. These items may, however, be covered by the warranties of their respective manufacturers. ( B ) This warranty does not extend to or apply to any unit which has been repaired or altered at any place other than by a G-R Unit, or by persons not expressly approved by a G-R Unit to make repairs or alterations, nor to any unit the serial number, model number or identification of which has been removed, defaced or altered. ( C ) This warranty does not extend to any product manufactured by a G-R Unit, which has been subjected to mis-use, neglect, accident, improper installation, or use in violation of instructions furnished by a G-R Unit. ( D ) Pump Kits: This warranty does not extend to any product sold by a G-R Unit unassembled as a Pump Kit. Pump Kits are warranted against defects in material and workmanship for 60 days from the date of shipment from a G-R Unit. Any Pump Kit parts deemed defective by a G-R Unit will be replaced free of charge within 60 days of shipment. Pump Kits are not returnable for credit.

### LIMITATIONS

**THE G-R UNITS' SOLE AND EXCLUSIVE WARRANTY WITH RESPECT TO THEIR PRODUCTS AND PARTS IS THIS LIMITED WARRANTY. THIS LIMITED WARRANTY IS IN LIEU OF ALL OTHER EXPRESS AND/OR IMPLIED WARRANTIES, INCLUDING IMPLIED WARRANTIES OF MERCHANTABILITY AND FITNESS FOR PARTICULAR PURPOSE.**

### EXCLUSIVE REMEDY AND DAMAGES

The sole and exclusive remedy for breach of this Warranty by a G-R Unit and the entire extent of its liability for such breach or for damages arising from the use of the products and parts covered under this Limited Warranty, shall be as follows:

1. **Repair or Replacement:** If inspection shows that any G-R Unit product or part covered under this Limited Warranty is defective in materials or workmanship, the G-R Unit shall repair or replace the defective or non-conforming product or part without charge, whichever the G-R Unit chooses. You must have properly maintained and used the product or part claimed to be defective in accordance with the maintenance schedule or manual, which comes with the product. No allowance will be made for labor, installation, removal, transportation or other charges incurred by you in connection with such repair or replacement.
2. To obtain the above remedy:
  - A. Immediately notify the G-R Unit upon discovery of the claimed defect in materials or workmanship and provide the serial number or date code of the product and/or part(s) or provide the G-R Unit with the invoice or bill of sale referencing the product by no later than the expiration date of the warranty period.
  - B. The G-R Unit will advise whether inspection will be necessary and how whether repair or replacement will be made. If inspection by the G-R Unit is necessary, the pump or defective part must be sent freight pre-paid to the G-R Unit. Return shipment will be F.O.B. the G-R Unit's plant.
  - C. **Return Goods Authorization Requirement:** No product will be accepted for return or replacement without the prior written authorization of the G-R Unit. Upon such authorization, and in accordance with instructions from the G-R Unit, the product will be returned to the G-R Unit, shipping charges prepaid by the Buyer.
3. **Damages:** The G-R Unit's liability for damages for breach of this Limited Warranty shall not exceed the amount of the purchase price of the product or part(s) in respect to which Such damages are claimed. **IN NO EVENT SHALL THE G-R UNITS BE LIABLE FOR INCIDENTAL, CONSEQUENTIAL OR SPECIAL DAMAGES FOR BREACH OF THIS LIMITED WARRANTY.**

Some states do not allow the exclusion or limitation of incidental or consequential damages, so the above limitation or exclusion may not apply to you. This Limited Warranty gives you specific legal rights, and you may also have other rights, which vary from state to state.