



TYPE "B" SINGLE STAGE
CENTRIFUGAL PUMP
Bearing Frame Mount

Section	FM
Page	160.1
Date	January 1, 2004
Supersedes 12/1/95	

CAST IRON IMPELLER

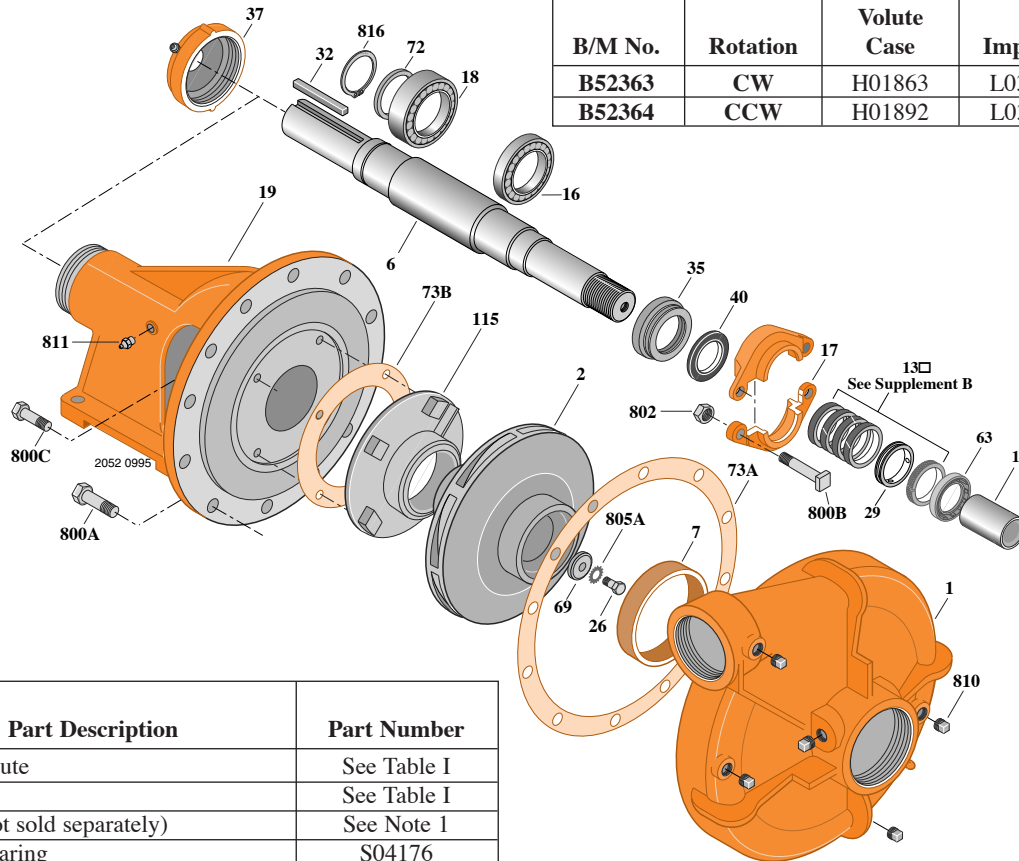
B3JRMBM

Threaded Case (NPT)

Packing Construction

TABLE I

B/M No.	Rotation	Volute Case	Impeller	Impeller Diameter
B52363	CW	H01863	L03038	13.50"
B52364	CCW	H01892	L03115	13.50"



Item No.	Part Description	Part Number
1	Case, Volute	See Table I
2	Impeller	See Table I
6	Shaft (Not sold separately)	See Note 1
7	Ring, Wearing	S04176
13	Ring, Packing (Set of 4)	S13436
14	Sleeve, Shaft	S05974
16	Bearing, Ball	S15604
17	Gland, Packing	B82472
18	Bearing, Ball	S13396
19	Frame	H01599
26	Screw, Impeller 1/2-13x1-1/2"	S23623
29	Ring, Lantern	S18993
32	Key, 1/2x4"	S24214
35	Inner Bearing Cap	S05928
37	Outer Bearing Cap Assembly*	S35277
40	Slinger, Water	S10964
63	Bushing, Throat	S18992
69	Washer, Impeller	S06319
72	Ring, Thrust	S06519
73A	Gasket, Volute	S06271
73B	Gasket, Balance Ring	S09943
115	Ring, Balance	M05115

Item No.	Part Description	Part Number
800A	Capscrew, Hex 5/8x11x1-1/2" (12 Req.)	S26999
800B	Bolt, Sq. Head 1/2-13x2-3/4" (2 Req.)	S23794
800C	Capscrew, Hex 3/8-16x1" (4 Req.)	S26826
802	Nut, Hex 1/2-13x7/16" (2 Req.)	S23347
805A	Washer, Lock	S23038
810	Plug, Pipe 1/2 NPT (6 Req.)	S23717
811	Fitting, Grease (2 Req.)	S23670
816	Ring, Retaining	S23016

- Shaft Replacement Kit** available for this model. Berkeley part number **B07596** for CW, **B07597** for CCW. Pump Shaft sold in shaft replacement kit only.

* Includes grease fitting.