



Type "B" Single Stage Centrifugal Pump Bearing Frame Mount

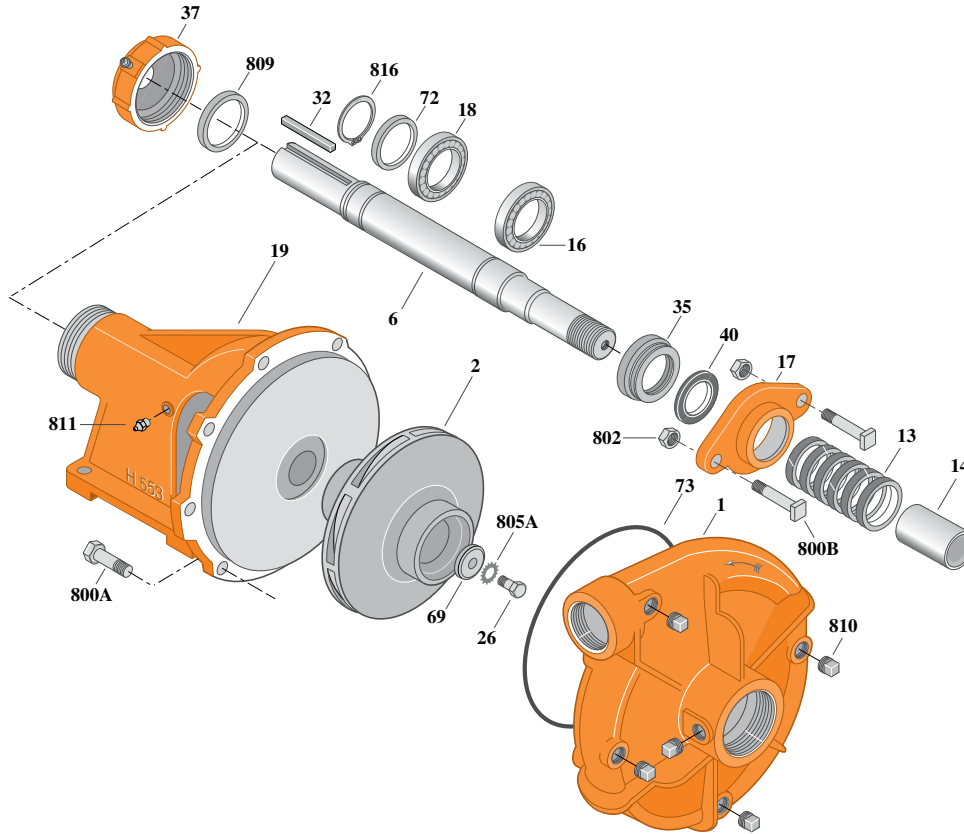
Section	FM
Page	10.1
Date	July 1, 2011
Supersedes 1/1/04	

CAST IRON IMPELLER

B1-1/2ZRL

Threaded Case (NPT)

Packing Construction



Item	Part Description	Part Number
1	Case, Volute	See Table I
2	Impeller	See Table I
6	Shaft (Not sold separately)	See Note 2
13	Ring, Packing (Set of 6)	S14022
14	Sleeve, Shaft	S05127L
16	Bearing, Ball	S13270
17	Gland, Packing (See Note 1)	S04948
18	Bearing, Ball	S13269
19	Frame	H00553
26	Screw, Impeller 3/8-16x1"	S23566
32	Key, 1/4x2-1/8"	S24255
35	Inner Bearing Cap	S19037
37	Outer Bearing Cap Assembly*	S19914
40	Slinger, Water	S12260
69	Washer, Impeller	S06314
72	Ring, Thrust	S29218
73	O-Ring (See Note 3)	M14943

Table I

B/M No.	Rotation	Volute Case	Impeller	Impeller Diameter
B52383	CW	L01025	M01828	9.00"

Item	Part Description	Part Number
800A	Capscrew, Hex 3/8-16x1" (8 Req.)	S26826
800B	Bolt, Machine 3/8-16x2-1/2" (2 Req.)	S23762
802	Nut, Hex 3/8-16 (2 Req.)	S23343
805A	Washer, Lock	S23036
809	Ring, Spacer	S05822
810	Plug, Pipe 1/4 NPT (5 Req.)	S23715
811	Fitting, Grease	S23670
816	Ring, Retaining	S23010

NOTE 1: A two piece (split) stainless steel packing gland is available for replacement, order part number B82468.

NOTE 2: Shaft Replacement Kit available for this model. Berkeley part number B82183. Pump Shaft sold in shaft replacement kit only.

NOTE 3: Also accepts gasket S05126 as replacement for o-ring. See *Supplement E* located at the beginning of this section.

* Includes grease fitting and set screw.