



Type "B" Single Stage Centrifugal Pump Bearing Frame Mount

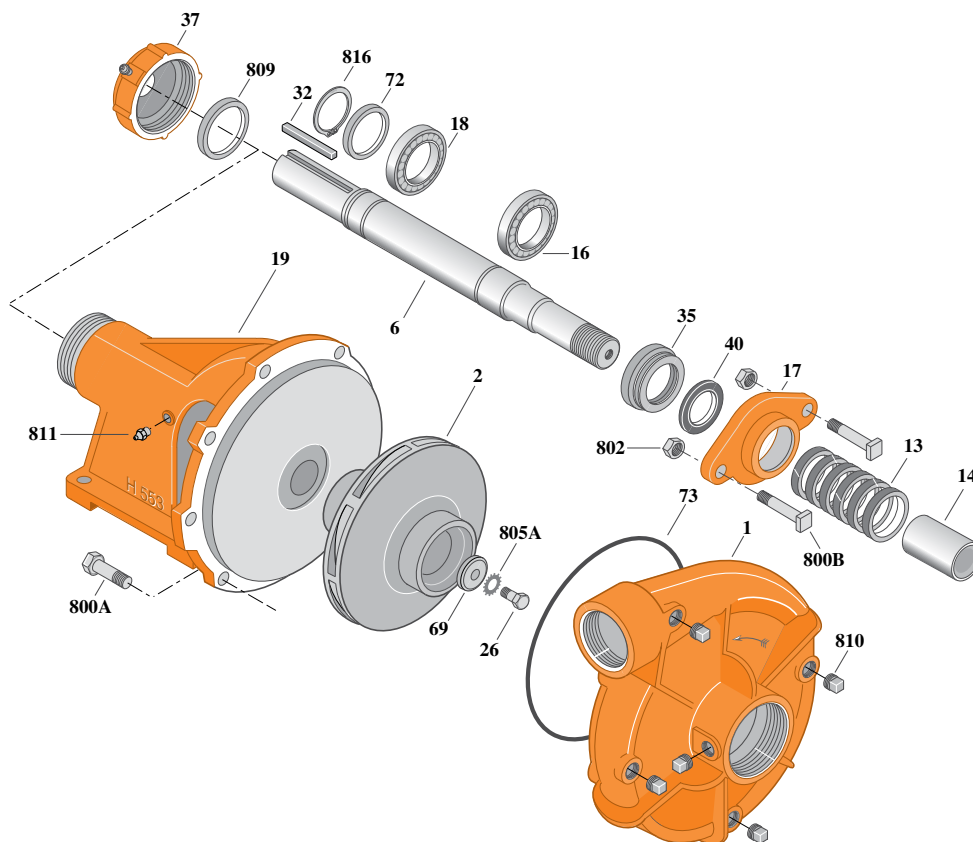
| | |
|---------------------|------------------|
| Section | FM |
| Page | 30.1 |
| Date | February 1, 2012 |
| Supersedes 7/1/2011 | |

CAST IRON IMPELLER

B2ZRL

Threaded Case (NPT)

Packing Construction



| Item | Part Description | Part Number |
|------|-----------------------------|-------------|
| 1 | Case, Volute | See Table I |
| 2 | Impeller | See Table I |
| 6 | Shaft (Not sold separately) | See Note 2 |
| 13 | Ring, Packing (Set of 6) | S08281 |
| 14 | Sleeve, Shaft | S05127L |
| 16 | Bearing, Ball | S13270 |
| 17 | Gland, Packing (See Note 1) | S04948 |
| 18 | Bearing, Ball | S13269 |
| 19 | Frame | H00553 |
| 26 | Screw, Impeller 3/8-16x1" | S23566 |
| 32 | Key, 1/4x2-1/8" | S24255 |
| 35 | Inner Bearing Cap | S19033 |
| 37 | Outer Bearing Cap Assembly* | S19914 |
| 40 | Slinger, Water | S12260 |
| 69 | Washer, Impeller | S06314 |
| 72 | Ring, Thrust | S29218 |
| 73 | O-Ring (See Note 3) | M14943 |

* Includes grease fitting and set screw.

Table I

| B/M No. | Rotation | Volute Case | Impeller | Impeller Diameter |
|---------|----------|-------------|----------|-------------------|
| B55566 | CW | L01026 | M06940 | 9.00" |

| Item | Part Description | Part Number |
|------|---------------------------------------|-------------|
| 800A | Capscrew, Hex 3/8-16x1" (8 Req.) | S26825 |
| 800B | Bolt, Sq. Head 3/8-16x2-1/2" (2 Req.) | S23762 |
| 802 | Nut, Hex 3/8-16 (2 Req.) | S23343 |
| 805A | Washer, Lock | S23036 |
| 809 | Spacer, Ring | S05822 |
| 810 | Plug, Pipe 1/4 NPT (5 Req.) | S23715 |
| 811 | Fitting, Grease | M11141 |
| 816 | Ring, Retaining (1 Req.) | S23010 |

NOTE 1: A two piece (split) stainless steel packing gland is available for replacement, order part number B80701.

NOTE 2: Shaft Replacement Kit available for this model. Berkeley part number B82183. Pump Shaft sold in shaft replacement kit only.

NOTE 3: If pump was built with gasket, use S05126. Do Not substitute o-ring for gasket.