



**TYPE "B" SINGLE STAGE  
CENTRIFUGAL PUMP  
Belt/Coupling Drive**

**CAST IRON IMPELLER**

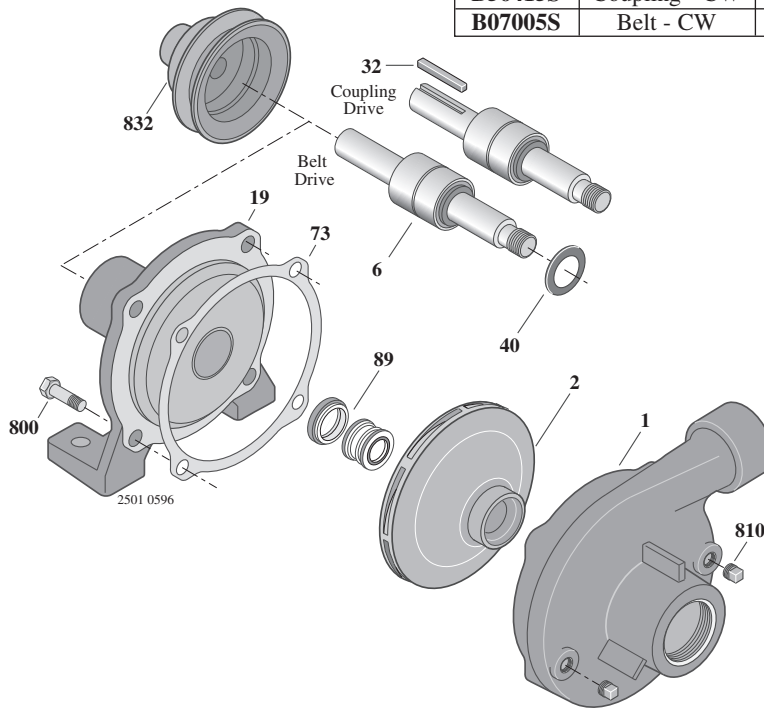
**B1XRS, B1XRMS, B1MRS**

**Threaded Case (NPT)**

**Mechanical Seal Construction**

**TABLE I**

B/M No.	Drive Type	Shaft No.	Impeller	Impeller Diameter	Case, Volute
<b>B56414</b>	Coupling - CCW	S30819	M01868	5.31"	M01842
<b>B01784</b>	Belt - CCW	S08164	M01868	5.31"	M01842
<b>B76019</b>	Coupling - CCW	S08164	M11261	4.50"	B59896
<b>B56413</b>	Coupling - CCW	S08164	S05266	4.50"	B59896
<b>B56415S</b>	Coupling - CW	S16578	H05539	5.00"	B59898
<b>B07005S</b>	Belt - CW	S06397	H05539	5.00"	B59898



Item No.	Part Description	B/M Number			
		B56414	B01784 B07005S	B56413 B76019	B56415S
1	Case, Volute	See Table I	See Table I	See Table I	See Table I
2	Impeller	See Table I	See Table I	See Table I	See Table I
6	Shaft Assembly	See Table I	See Table I	See Table I	See Table I
19	Frame	M01856	M01856	M01856	M01856
32	Key, 3/16 x 1"	S24151	-	S24151	S24151
40	Slinger, Water	S05222	S05222	S05222	S05222
67•	Spacer, Impeller	-	S17323	-	S17323
73	Gasket, Case	S05141	S04728	S05141	S05141
89	Seal, Mechanical Shaft	S05645	S05645	S05645	S05645
800	Capscrew, 3/8-16x3/4" (4 Req.)	S26824	S26824	S26824	S26824
810	Pipe Plug, 1/8" NPT (2 Req.)	U78-56ZPS	U78-56ZPS	U78-56ZPS	U78-56ZPS
832	Sheave	-	S05375	-	-

• Not illustrated. Not used in Model B01784.

ORDER ONLINE [www.PumpCatalog.com](http://www.PumpCatalog.com)