



# TYPE "B" SINGLE STAGE CENTRIFUGAL PUMP Belt/Coupling Drive

**CAST IRON IMPELLER**

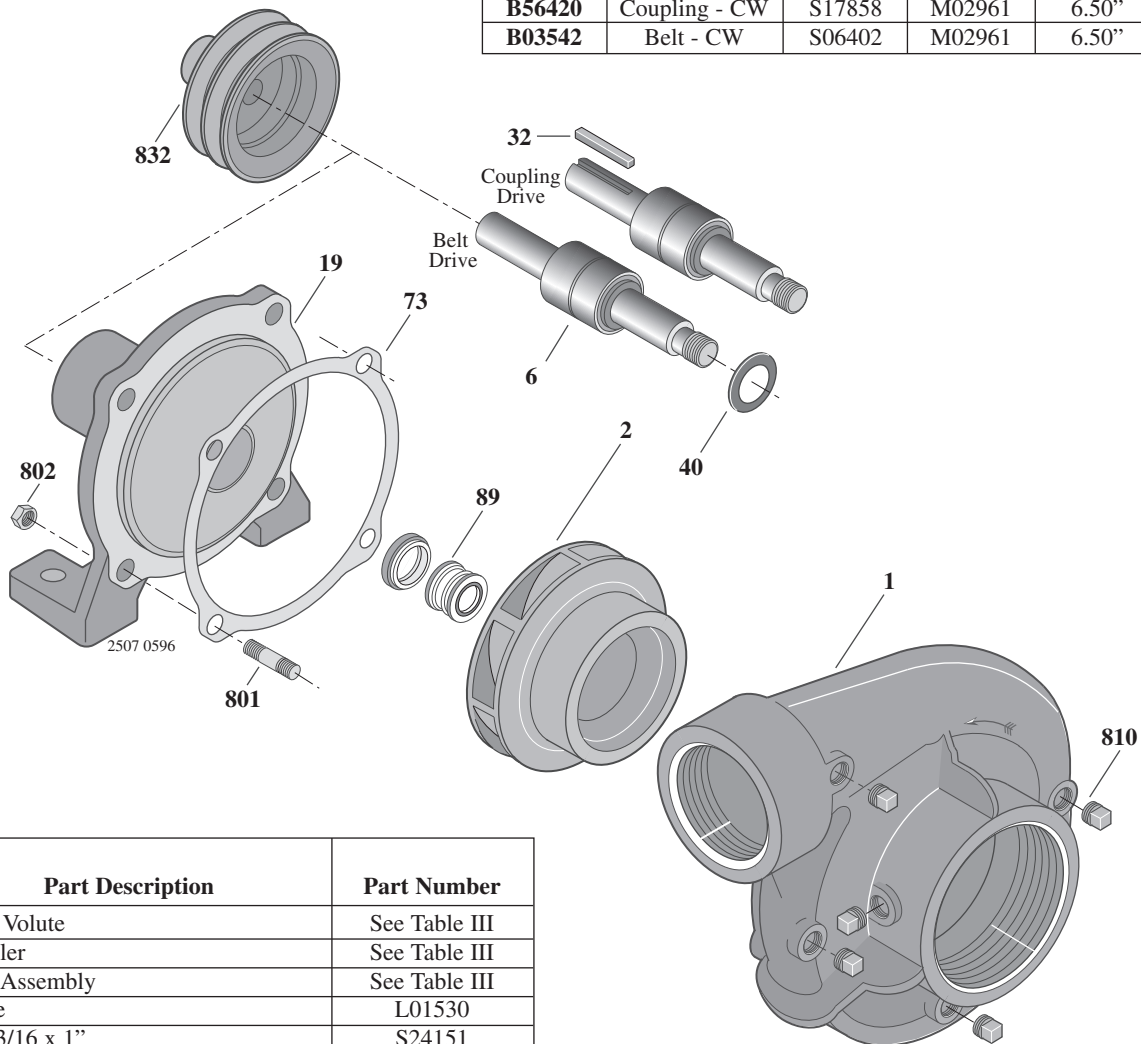
**B2TRMS, B2-1/2TRMS, B3TRMS**

**Threaded Case (NPT)**

**Mechanical Seal Construction**

**TABLE III**

B/M No.	Drive Type	Shaft No.	Impeller	Impeller Diameter	Case Volute
B56418	Coupling - CW	S17858	S07370	6.50"	L01022
B03540	Belt - CW	S06402	S07370	6.50"	L01022
B56419	Coupling - CW	S17858	M02958	6.50"	L01023
B03541	Belt - CW	S06402	M02958	6.50"	L01023
B56420	Coupling - CW	S17858	M02961	6.50"	L01104
B03542	Belt - CW	S06402	M02961	6.50"	L01104



Item No.	Part Description	Part Number
1	Case, Volute	See Table III
2	Impeller	See Table III
6	Shaft Assembly	See Table III
19	Frame	L01530
32	Key, 3/16 x 1"	S24151
40	Slinger, Water	S21906
73	Gasket, Case	S04757
89	Seal, Mechanical Shaft	S06405
801	Stud, 1/2-13 (4 Req.)	S24043
802	Nut, Hex 1/2-13 (4 Req.)	S23107
810	Pipe Plug, 1/4" NPT (5 Req.)	S23715
832	Sheave	S06407

ORDER ONLINE [www.PumpCatalog.com](http://www.PumpCatalog.com)