



TYPE "B" SINGLE STAGE  
CENTRIFUGAL PUMP  
Bearing Frame Mount

Section	FM
Page	310.1
Date	January 1, 2004
Supersedes 12/1/95	

CAST IRON IMPELLER

B6EXRBH

Flanged Case

Packing Construction

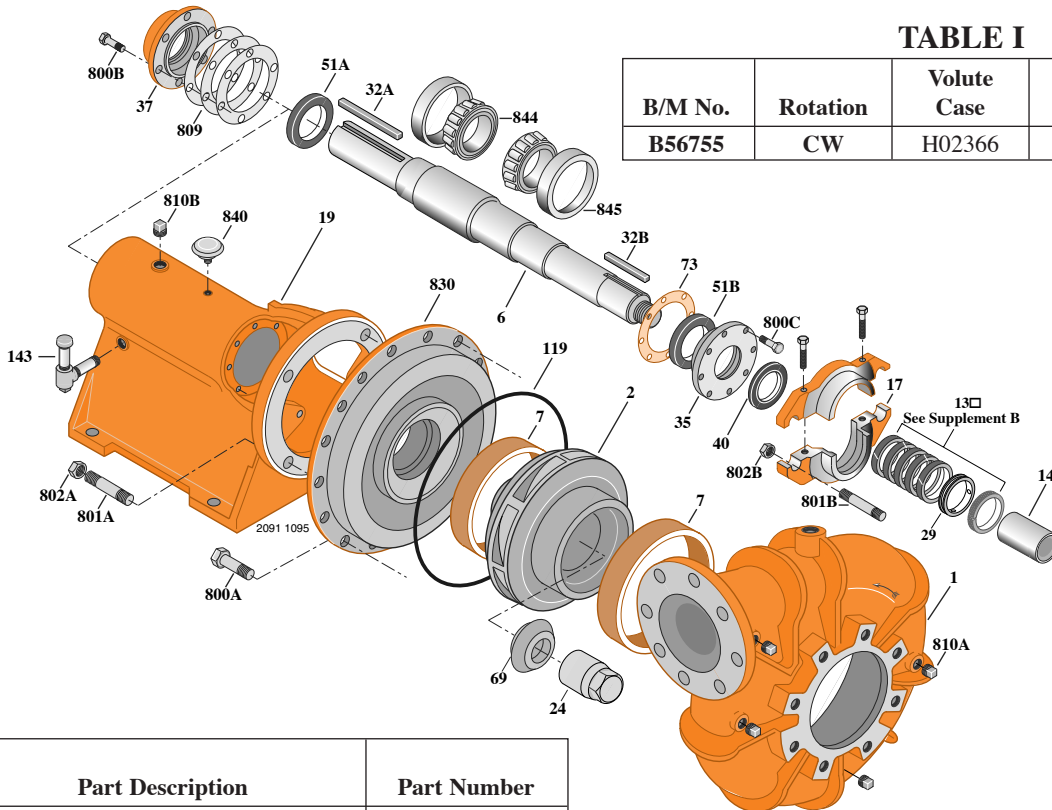


TABLE I

B/M No.	Rotation	Volute Case	Impeller	Impeller Diameter
B56755	CW	H02366	L05800	15.50"

Item No.	Part Description	Part Number
1	Case, Volute	See Table I
2	Impeller	See Table I
6	Shaft (Not sold separately)	See Note 1
7	Ring, Wearing (2 Req.)	S04879
13	Ring, Packing (Set of 5)	S16448
14	Sleeve, Shaft	S14329
17	Gland, Packing	M05311
19	Frame	H00171
24	Locknut, Impeller	S07829
29	Ring, Lantern	S14330
32A	Key, 5/8-5"	S24235
32B	Key, 1/2x2"	S26545
35	Inner Bearing Cap	S14331
37	Outer Bearing Cap	S02617
40	Slinger, Water	M09684
51A	Seal, Oil	S14705
51B	Seal, Oil	S14704
69	Washer, Impeller	S18720
73	Gasket, Bearing Cap	S01911
119	O-Ring	S14444
143	Indicator, Oil Level	S12673
800A	Capscrew, Hex 5/8-11x1-1/2" (16 Req.)	S26999
800B	Capscrew, Hex 1/2-13x1-1/4" (6 Req.)	S26914
800C	Capscrew, Hex 3/8-16x1" (8 Req.)	S26826

Item No.	Part Description	Part Number
801A	Stud, 3/4-10x2-3/4" (4 Req.)	S24080
801B	Stud, 1/2-13x3-3/4" (2 Req.)	S08305
802A	Nut, Hex 3/4-10 (4 Req.)	S23111
802B	Nut, Hex 1/2-13x7/16" (2 Req.)	S23347
809	Shim, Bearing (Set of 3)	S14706
810A	Plug, Pipe 1/2 NPT (5 Req.)	S23717
810B	Plug, Pipe 3/4 NPT	S23719
830	Cover, Case	H02375
840	Filter, Air	S02671
844	Cone, Roller Bearing (2 Req.)	S36078
845	Cup, Roller Bearing (2 Req.)	S36077

1. **Shaft Replacement Kit** available for this model.  
Berkeley part number **B75202**.  
Pump Shaft sold in shaft replacement kit only.