



TYPE "B" SINGLE STAGE
CENTRIFUGAL PUMP
Bearing Frame Mount

| | |
|--------------------|-----------------|
| Section | FM |
| Page | 180.1 |
| Date | January 1, 2004 |
| Supersedes 12/1/95 | |

CAST IRON IMPELLER

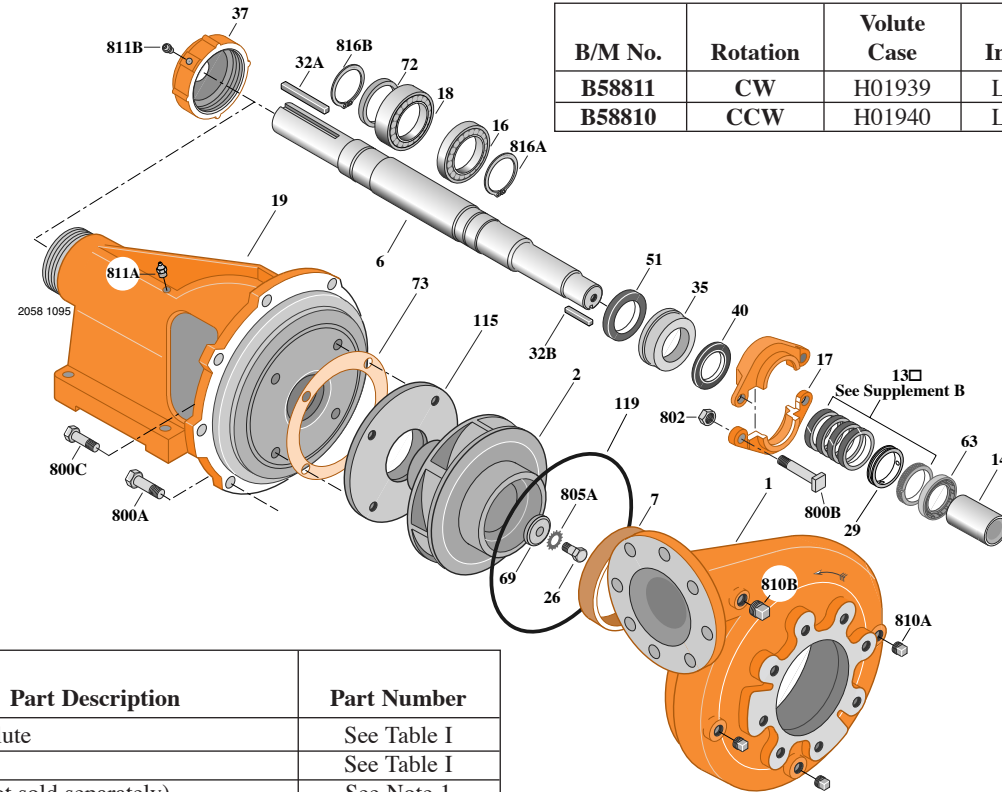
B4ERBM

Flanged Case

Packing Construction

TABLE I

| B/M No. | Rotation | Volute Case | Impeller | Impeller Diameter |
|---------|----------|-------------|----------|-------------------|
| B58811 | CW | H01939 | L06015 | 10.44" |
| B58810 | CCW | H01940 | L06020 | 10.44" |



| Item No. | Part Description | Part Number |
|----------|--------------------------------------|-------------|
| 1 | Case, Volute | See Table I |
| 2 | Impeller | See Table I |
| 6 | Shaft (Not sold separately) | See Note 1 |
| 7 | Ring, Wearing | S32745 |
| 13 | Ring, Packing (Set of 4) | S13436 |
| 14 | Sleeve, Shaft | S05974 |
| 16 | Bearing, Ball | S13395 |
| 17 | Gland, Packing | B82472 |
| 18 | Bearing, Ball | S13754 |
| 19 | Frame | H01941 |
| 26 | Screw, Impeller 1/2-13x1-1/2" | S23623 |
| 29 | Ring, Lantern | S18993 |
| 32A | Key, 1/2x4" | S24214 |
| 32B | Key, 1/4x1-1/2" | S24170 |
| 35 | Inner Bearing Cap | S13213 |
| 37 | Outer Bearing Cap | M04551 |
| 40 | Slinger, Water | S10964 |
| 51 | Seal, Oil | S14764 |
| 63 | Bushing, Throat | S14122 |
| 69 | Washer, Impeller | S18117 |
| 72 | Ring, Thrust | S19221 |
| 73 | Gasket, Balance Ring | S09943 |
| 115 | Ring, Balance | L03649 |
| 119 | O-Ring | S13760 |
| 800A | Capscrew, Hex 1/2-13x1-1/4" (8 Req.) | S26914 |

| Item No. | Part Description | Part Number |
|----------|---------------------------------------|-------------|
| 800B | Bolt, Sq. Head 1/2-13x2-1/2" (2 Req.) | S23793 |
| 800C | Capscrew, Hex 3/8-16x1" (4 Req.) | S26826 |
| 802 | Nut, Hex 1/2-13x7/16" (2 Req.) | S23347 |
| 805A | Washer, Lock | S23038 |
| 810A | Plug, Pipe 1/4 NPT (3 Req.) | S23715 |
| 810B | Plug, Pipe 1/2 NPT (2 Req.) | S23717 |
| 811A | Fitting, Grease | S23670 |
| 811B | Fitting, Grease (3 Req.) | S23700 |
| 816A | Ring, Retaining | S23016 |
| 816B | Ring, Retaining | S23017 |

1. **Shaft Replacement Kit** available for this model. Berkeley part number **B60659**. Pump Shaft sold in shaft replacement kit only.