



TYPE "B" SINGLE STAGE  
CENTRIFUGAL PUMP  
Bearing Frame Mount

Section	FM
Page	130.5
Date	January 1, 2004
Supersedes 12/1/95	

CAST IRON IMPELLER

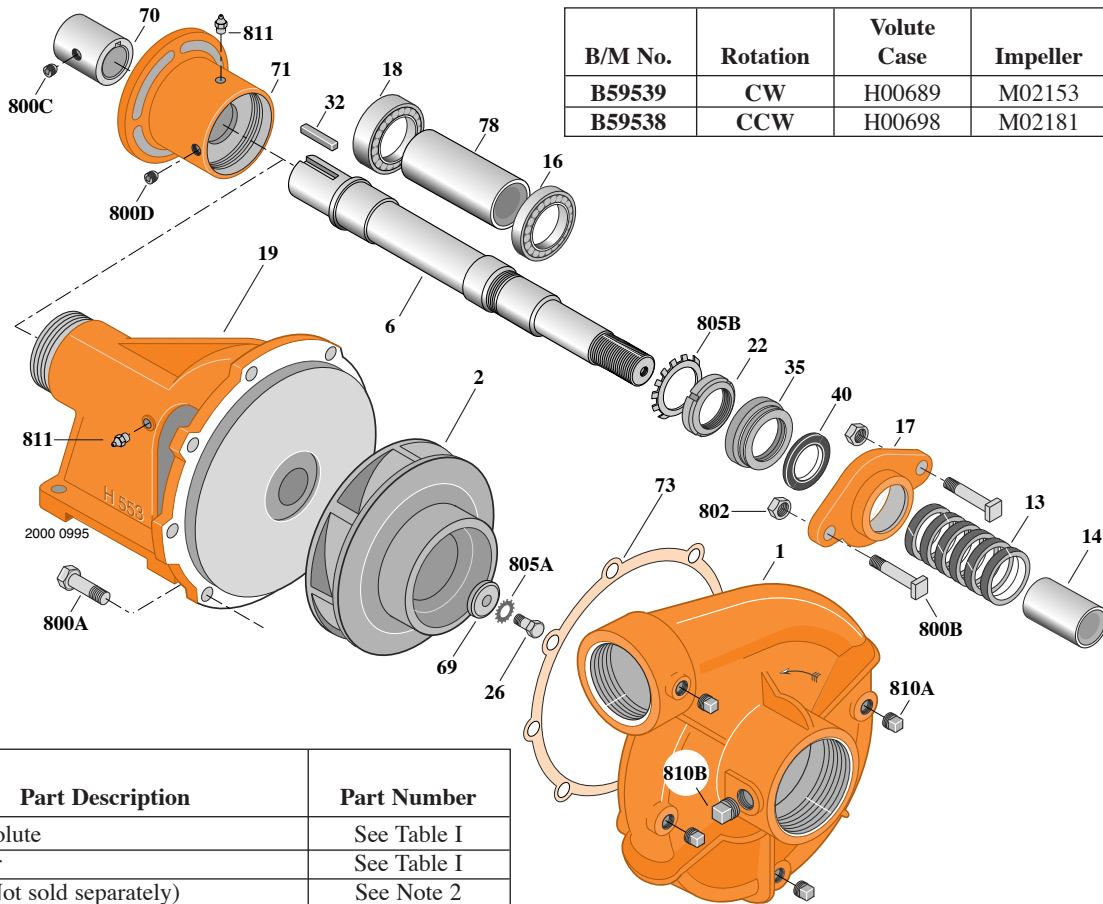
B3ZRM

Threaded Case (NPT)

Packing Construction

TABLE I

B/M No.	Rotation	Volute Case	Impeller	Impeller Diameter
B59539	CW	H00689	M02153	9.00"
B59538	CCW	H00698	M02181	9.00"



Item No.	Part Description	Part Number
1	Case, Volute	See Table I
2	Impeller	See Table I
6	Shaft (Not sold separately)	See Note 2
13	Ring, Packing (Set of 6)	S14022
14	Sleeve, Shaft	S05127
16	Bearing, Ball	S13270
17	Gland, Packing (See Note 1)	S04948
18	Bearing, Ball	S13271
19	Frame	H00553
22	Locknut	M10221
26	Screw, Impeller 3/8-16x1"	S23566
32	Key, 1/4x1"	S24168
35	Inner Bearing Cap	S19033
40	Slinger, Water	S12260
69	Washer, Impeller	S06314
70	Coupling, Shaft	S30636
71	Bracket	L05720
73	Gasket, Volute	S05126
78	Sleeve, Spacer	S08980
800A	Capscrew, Hex 3/8-16x7/8" (8 Req.)	S26825
800B	Bolt, Sq. Head 3/8-16x2-1/2" (2 Req.)	S23762
800C	Screw, Set	S23964

Item No.	Part Description	Part Number
800D	Screw, Set (2 Req.)	S23965
802	Nut, Hex 3/8-16 (2 Req.)	S23343
805A	Washer, Lock	S23036
805B	Washer, Bearing Lock	S16181
810A	Plug, Pipe 1/4 NPT (4 Req.)	S23715
810B	Plug, Pipe 1/2 NPT	S23717
811	Fitting, Grease (3 Req.)	S23670

1. A two piece (split) bronze packing gland is available for replacement, order part number **B82468**.
2. **Shaft Replacement Kit** available for this model. Berkeley part number **B62436** for CW, **B62452** for CCW. Pump Shaft sold in shaft replacement kit only.