



TYPE "B" SINGLE STAGE CENTRIFUGAL PUMP Bearing Frame Mount

Section	FM
Page	70.2
Date	February 16, 2010
Supersedes 1/1/04	

CAST IRON IMPELLER

B2ERHS

Threaded Case (NPT)

Mechanical Seal Construction

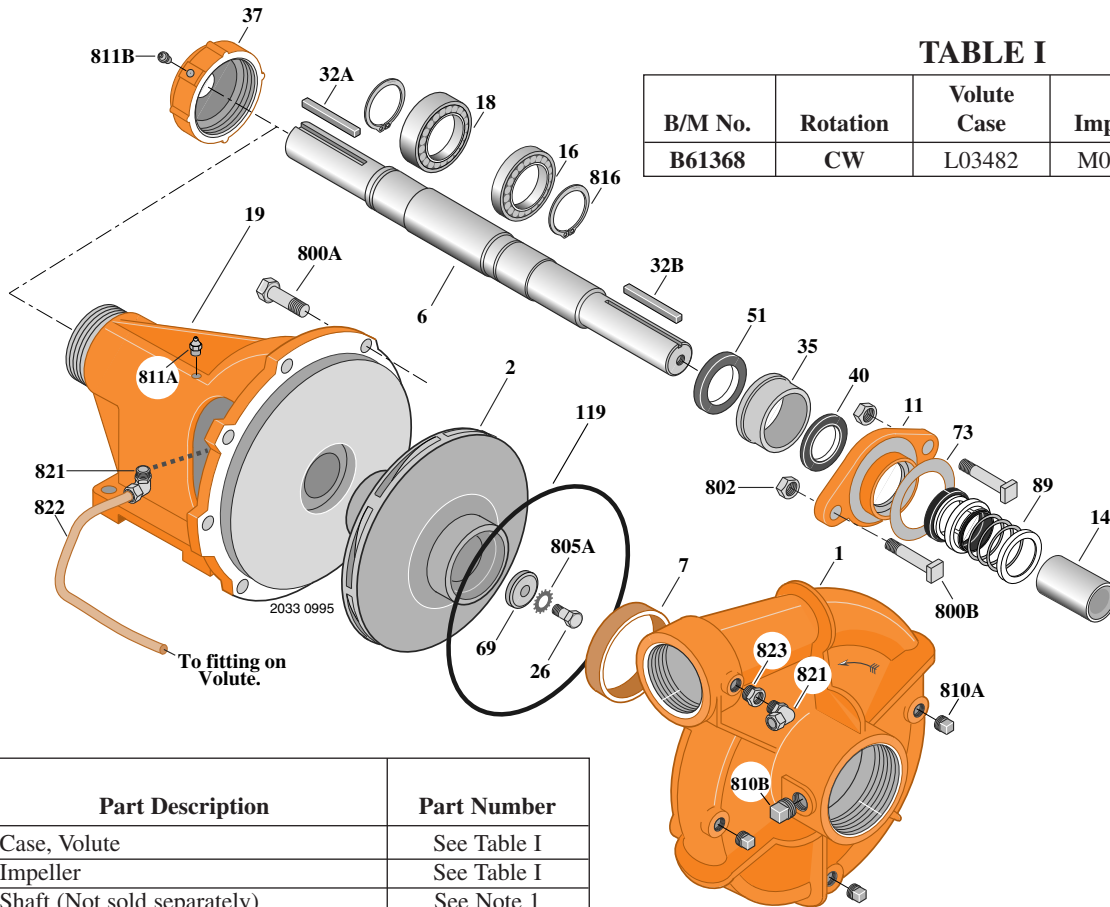


TABLE I

B/M No.	Rotation	Volute Case	Impeller	Impeller Diameter
B61368	CW	L03482	M05048	9.94"

Item No.	Part Description	Part Number
1	Case, Volute	See Table I
2	Impeller	See Table I
6	Shaft (Not sold separately)	See Note 1
7	Ring, Wearing	S00806
11	Retainer, Mechanical Shaft Seal	S05993
14	Sleeve, Shaft	S05127
16	Bearing, Ball	S13270
18	Bearing, Ball	S13271
19	Frame	H03960
26	Screw, Impeller 3/8-16x1"	S23566
32A	Key, 1/4x2-1/8"	S24255
32B	Key, 3/16x1-1/2"	S23500
35	Inner Bearing Cap	S13214
37	Outer Bearing Cap	S13059
40	Slinger, Water	M09685
51	Seal, Oil	S14763
69	Washer, Impeller	S06314
73	Gasket, Seal Retainer	S08911
89	Seal, Mechanical Shaft	S32689
119	O-Ring	S13760
800A	Capscrew, Hex 1/2-13x1-1/4" (8 Req.)	S26914
800B	Bolt, Sq. Head 3/8-16x2-1/2" (2 Req.)	S23762
802	Nut, Hex 3/8-16 (2 Req.)	S23343
805A	Washer, Lock	S23036

Item No.	Part Description	Part Number
810A	Plug, Pipe 1/4 NPT (4 Req.)	S23715
810B	Plug, Pipe 1/2 NPT	S23717
811A	Fitting, Grease	S23670
811B	Fitting, Grease (2 Req.)	S23700
816	Ring, Retaining (2 Req.)	S23010
821	Elbow, Comp. Tube (2 Req.)	S24128
822	Tubing, Copper	S20677
823	Bushing, Pipe	S24600

- Shaft Replacement Kit** available for this model. Berkeley part number **B60633**. Pump Shaft sold in shaft replacement kit only.