



Type "B" Single Stage Centrifugal Pump Bearing Frame Mount

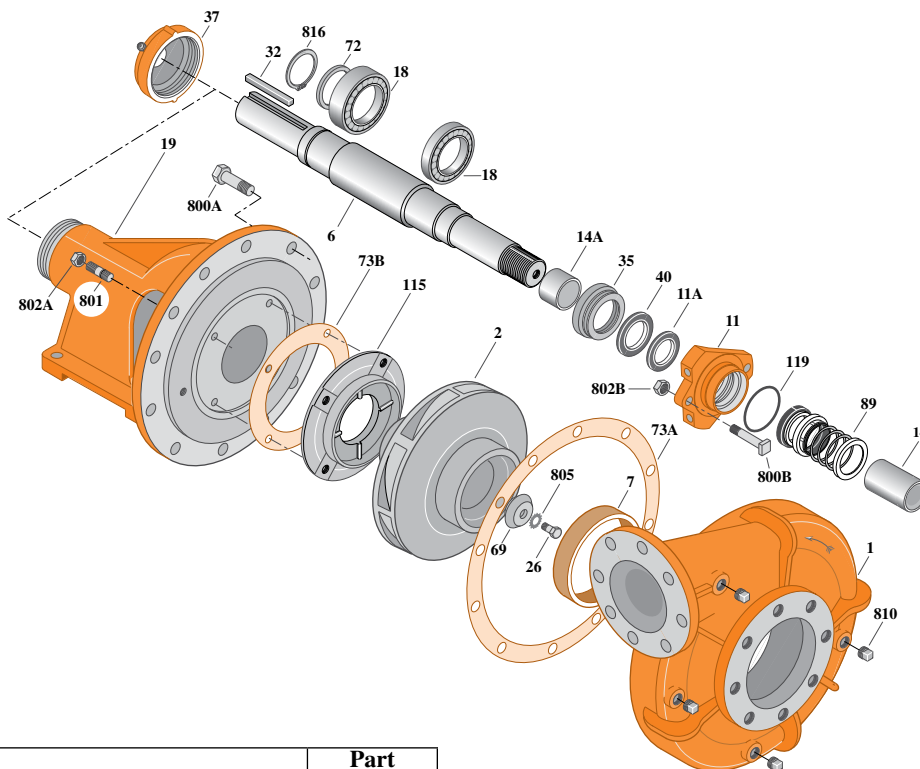
Section	FM
Page	200.3
Date	December 1, 2011
	New

CAST IRON IMPELLER

B4JRM BHHS

Flanged Case, Dry Run

Mechanical Shaft Seal Construction



Ref.	Part Description	Part Number
1	Case, Volute	See Table 1
2	Impeller	Table 1
6	Shaft	See Note 1
7	Ring, Wearing	M03870
11	Retainer, Mechanical Shaft Seal, Dry Run	M14959
11A	Dry Run Gland Lip Seal	M12337
14	Sleeve, Shaft	S05974L
14A	Sleeve, Shaft	M14971
16	Bearing, Ball	S15604
18	Bearing, Ball	S13396
19	Frame	M14963
26	Screw, Impeller 1/2-13x1-1/4"	S23621
32	Key, 1/2x4"	S24214
35	Inner Bearing Cap	S05928
37	Outer Bearing Cap Assembly*	S35277
40	Slinger, Water	S10964
69	Washer, Impeller	M14217
72	Ring, Thrust	S06519
73A	Gasket, Volute	S06271
73B	Gasket, Balance Ring	S09943
89	Seal, Mechanical Shaft	S32693
115	Ring, Balance	S19521
119	O-Ring	M14972

Ref.	Part Description	Part Number
800A	Capscrew, Hex 5/8-11x1-1/2" (10 Rqd.)	S26999
800A	Capscrew, Hex 5/8-11x1-3/4" (2 Rqd. top ctr.)	S23701
800B	Bolt, Sq. Head 1/2-13x2-1/4" (2 Rqd.)	S23792
801	Stud, 3/8-16" x 1-1/2" (4 Rqd.)	S23994
802A	Nut, Hex 3/8-16" (4 Rqd.)	S23103
802B	Nut, Hex 1/2-13x7/16" (2 Rqd.)	S23347
805	Washer, Lock	S23038
810	Plug, Pipe 1/2 NPT (4 Rqd.)	S23717
811	Fitting, Grease	S23670
816	Ring, Retaining	S23016

*Includes grease fitting

Table I

B/M No.	Rotation	Volute Case	Impeller	Impeller Diameter
B61657D	CW	H05391	L05347	13.50"

NOTE 1: Shaft Replacement Kit is available for this model. Berkeley part number B07596. Pump shaft sold in replacement kit only. Refer to Supplement "C" for shaft kit components.
NOTE 2: Refer to Supplement "F" for dry run tank repair parts. Dry run lubrication system requires one gallon of food grade hydraulic oil (FGHO), viscosity 150 SSU at 100 °F. Oil not supplied, purchase locally.