



# Type "B" Single Stage Centrifugal Pump Bearing Frame Mount

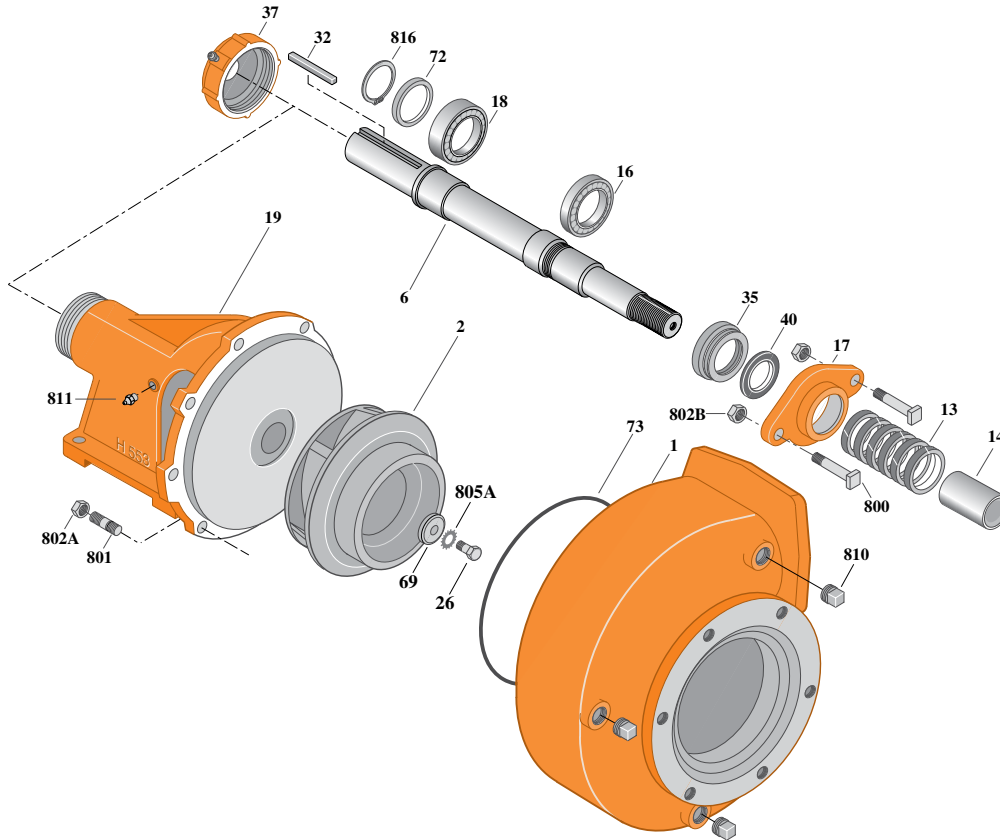
Section	FM
Page	250.1
Date	July 1, 2011
Supersedes 1/1/04	

**CAST IRON IMPELLER**

**B6ZRM**

**Special Flanged Case**

**Packing Construction**



Item	Part Description	Part Number
1	Case, Volute	See Table I
2	Impeller	See Table I
6	Shaft (Not sold separately)	See Note 2
13	Ring, Packing (Set of 6)	S14022
14	Sleeve, Shaft	S05127L
16	Bearing, Ball	S13270
17	Gland, Packing (See Note 1)	S04948
18	Bearing, Ball	S13271
19	Frame	H00553
26	Screw, Impeller 3/8-16-2-1/4"	S23575
32	Key, 1/4x2-1/8"	S24255
35	Inner Bearing Cap	S19033
37	Outer Bearing Cap Assembly*	S19914
40	Slinger, Water	S12260
69	Washer, Impeller	S06314
72	Ring, Thrust	S29218
73	O-Ring (See Note 3)	M14943

\* Includes grease fitting and set screw.

**Table I**

B/M No.	Rotation	Volute Case	Impeller	Impeller Diameter
B66167	CW	H01115	L02186	7.75"

Item	Part Description	Part Number
800	Bolt, Sq. Head 3/8-16x2-1/2" (2 Req.)	S23672
801	Stud, 3/8-16x1-1/4" (8 Req.)	S23994
802A	Nut, Hex 3/8-16 (8 Req.)	S23103
802B	Nut, Hex 3/8-16 (2 Req.)	S23343
805B	Washer, Bearing Lock	S16181
810	Plug, Pipe 1/2 NPT (4 Req.)	S23717
811	Fitting, Grease	S23670
816	Ring, Retaining	S23010

**NOTE 1:** A two piece (split) stainless steel packing gland is available for replacement, order part number B82468.

**NOTE 2:** Shaft Replacement Kit available for this model. Berkeley part number B80695. Pump Shaft sold in shaft replacement kit only.

**NOTE 3:** Also accepts gasket S05126 as replacement for o-ring. See **Supplement E** located at the beginning of this section.