



**TYPE "B" SINGLE STAGE  
CENTRIFUGAL PUMP  
Bearing Frame Mount**

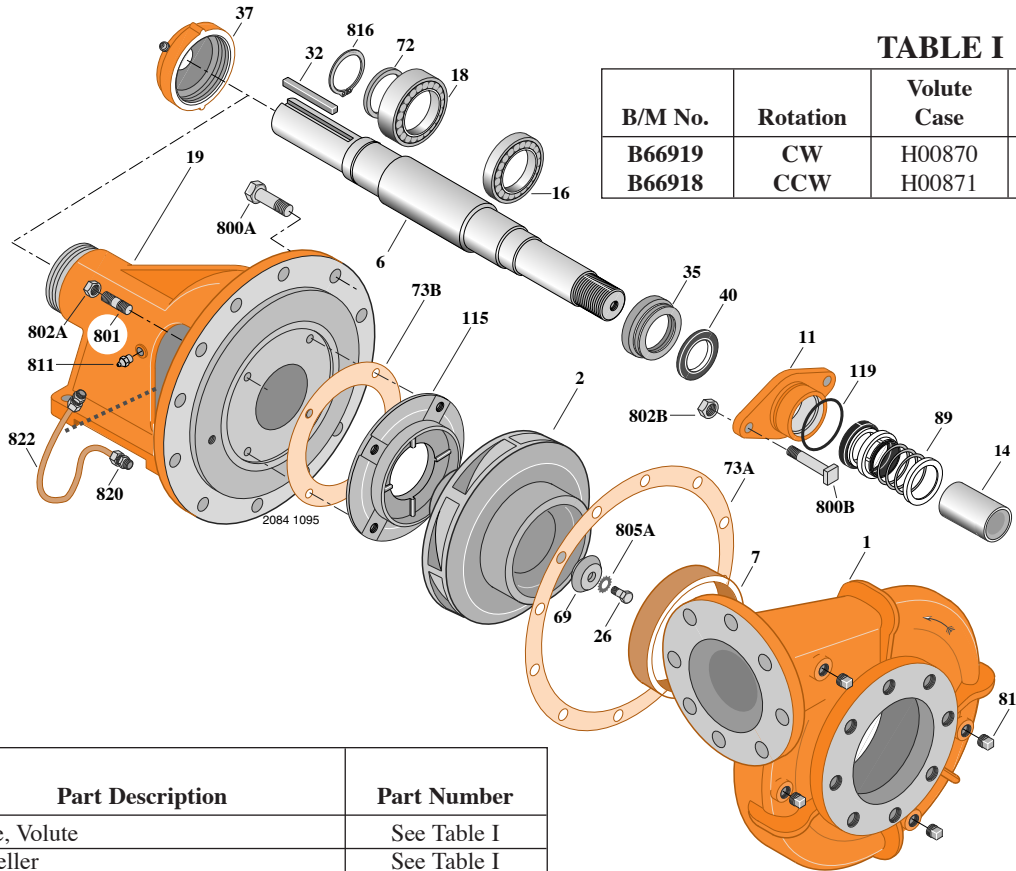
Section	FM
Page	270.2
Date	January 1, 2004
Supersedes 12/1/95	

**CAST IRON IMPELLER**

**B6JRMBLS**

**Flanged Case**

**Mechanical Seal Construction**



**TABLE I**

B/M No.	Rotation	Volute Case	Impeller	Impeller Diameter
<b>B66919</b>	<b>CW</b>	H00870	L02416	13.50"
<b>B66918</b>	<b>CCW</b>	H00871	L02417	13.50"

Item No.	Part Description	Part Number
1	Case, Volute	See Table I
2	Impeller	See Table I
6	Shaft (Not sold separately)	See Note 1
7	Ring, Wearing	S01234
11	Retainer, Mechanical Shaft Seal	S11452
14	Sleeve, Shaft	S05974
16	Bearing, Ball	S15604
18	Bearing, Ball	S13396
19	Frame	H01838
26	Screw, Impeller 1/2-13x2"	S23627
32	Key, 1/2x4"	S24214
35	Inner Bearing Cap	S05928
37	Outer Bearing Cap Assembly*	S35277
40	Slinger, Water	S10964
69	Washer, Impeller	S19275
72	Ring, Thrust	S06519
73A	Gasket, Volute	S06271
73B	Gasket, Balance Ring	S09943
89	Seal, Mechanical Shaft	S32693
115	Ring, Balance	S13591
119	O-Ring	S26471
800A	Capscrew, Hex 5/8-11x1-1/2"(12 Req.)	S26999

Item No.	Part Description	Part Number
800B	Bolt, Sq. Head 1/2-13x2-1/4" (2 Req.)	S23792
801	Stud, 3/8-16x1-3/8" (4 Req.)	S09942
802A	Nut, Hex 3/8-16 (4 Req.)	S23103
802B	Nut, Hex 1/2-13x7/16" (2 Req.)	S23347
805A	Washer, Lock	S23038
810	Plug, Pipe 1/2 NPT (4 Req.)	S23717
811	Fitting, Grease	S23670
816	Ring, Retaining	S23016
820	Elbow, Comp. Fitting (2 Req.)	S24128
822	Tubing, Copper	S20677

2. **Shaft Replacement Kit** available for this model. Berkeley part number **B07596** for CW, **B07597** for CCW. Pump Shaft sold in shaft replacement kit only.

\* Includes grease fitting.