

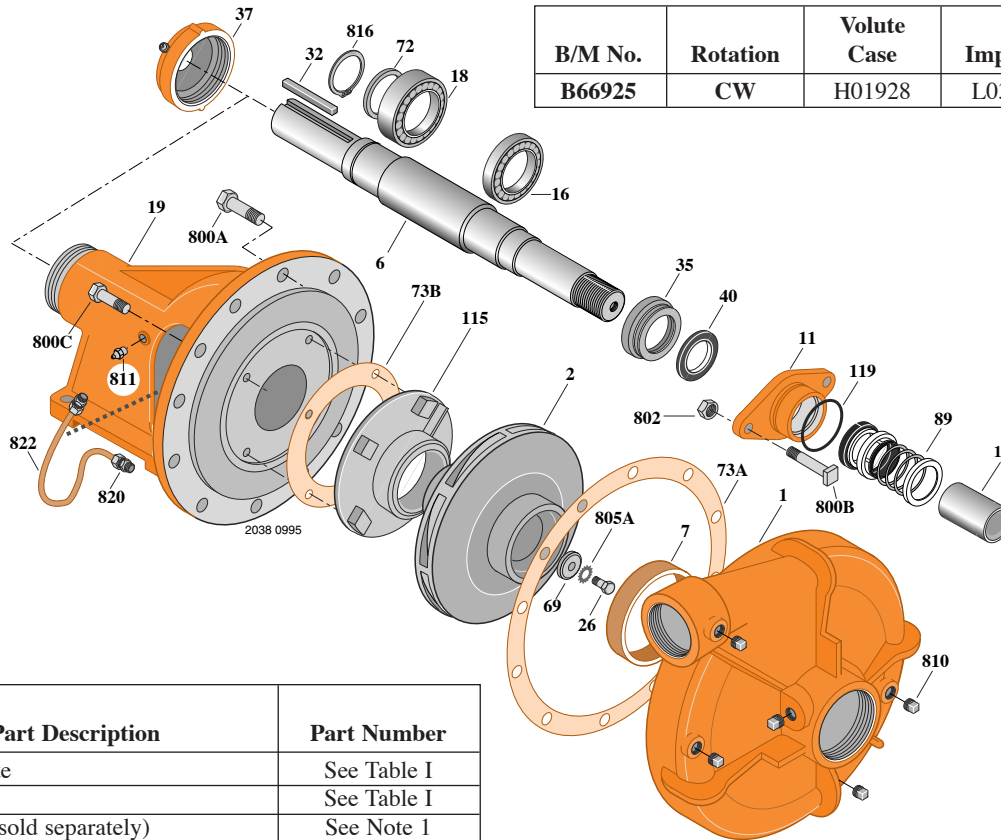


TYPE "B" SINGLE STAGE CENTRIFUGAL PUMP Bearing Frame Mount

Section	FM
Page	120.2
Date	January 1, 2004
Supersedes 12/1/95	

CAST IRON IMPELLER
B2-1/2JRMBMS
Threaded Case (NPT)
Mechanical Seal Construction
TABLE I

B/M No.	Rotation	Volute Case	Impeller	Impeller Diameter
B66925	CW	H01928	L03039	13.50"



Item No.	Part Description	Part Number
1	Case, Volute	See Table I
2	Impeller	See Table I
6	Shaft (Not sold separately)	See Note 1
7	Ring, Wearing	S04176
11	Retainer, Mechanical Shaft Seal	S11452
14	Sleeve, Shaft	S05974
16	Bearing, Ball	S15604
18	Bearing, Ball	S13396
19	Frame	H01838
26	Screw, Impeller 1/2-13x1-1/2"	S23623
32	Key, 1/2x4"	S24214
35	Inner Bearing Cap	S05928
37	Outer Bearing Cap Assembly*	S35277
40	Slinger, Water	S10964
69	Washer, Impeller	S06319
72	Ring, Thrust	S06519
73A	Gasket, Volute	S06271
73B	Gasket, Balance Ring	S09943
89	Seal, Mechanical Shaft	S32693
115	Ring, Balance	M05073
119	O-Ring	S26471
800A	Capscrew, Hex 5/8-11x1-1/2"(12 Req.)	S26999

Item No.	Part Description	Part Number
800B	Bolt, Sq. Head 1/2-13x2-1/4" (2 Req.)	S23792
800C	Capscrew, Hex 3/8-16x1" (4 Req.)	S26826
802	Nut, Hex 1/2-13x7/16" (2 Req.)	S23347
805A	Washer, Lock	S23038
810	Plug, Pipe 1/2 NPT (6 Req.)	S23717
811	Fitting, Grease	S23670
816	Ring, Retaining	S23016
820	Connector, Comp. Fitting (2 Req.)	S24013
822	Tubing, Copper	S20677

- Shaft Replacement Kit** available for this model. Berkeley part number **B07596**. Pump Shaft sold in shaft replacement kit only.

* Includes two (2) grease fittings.