



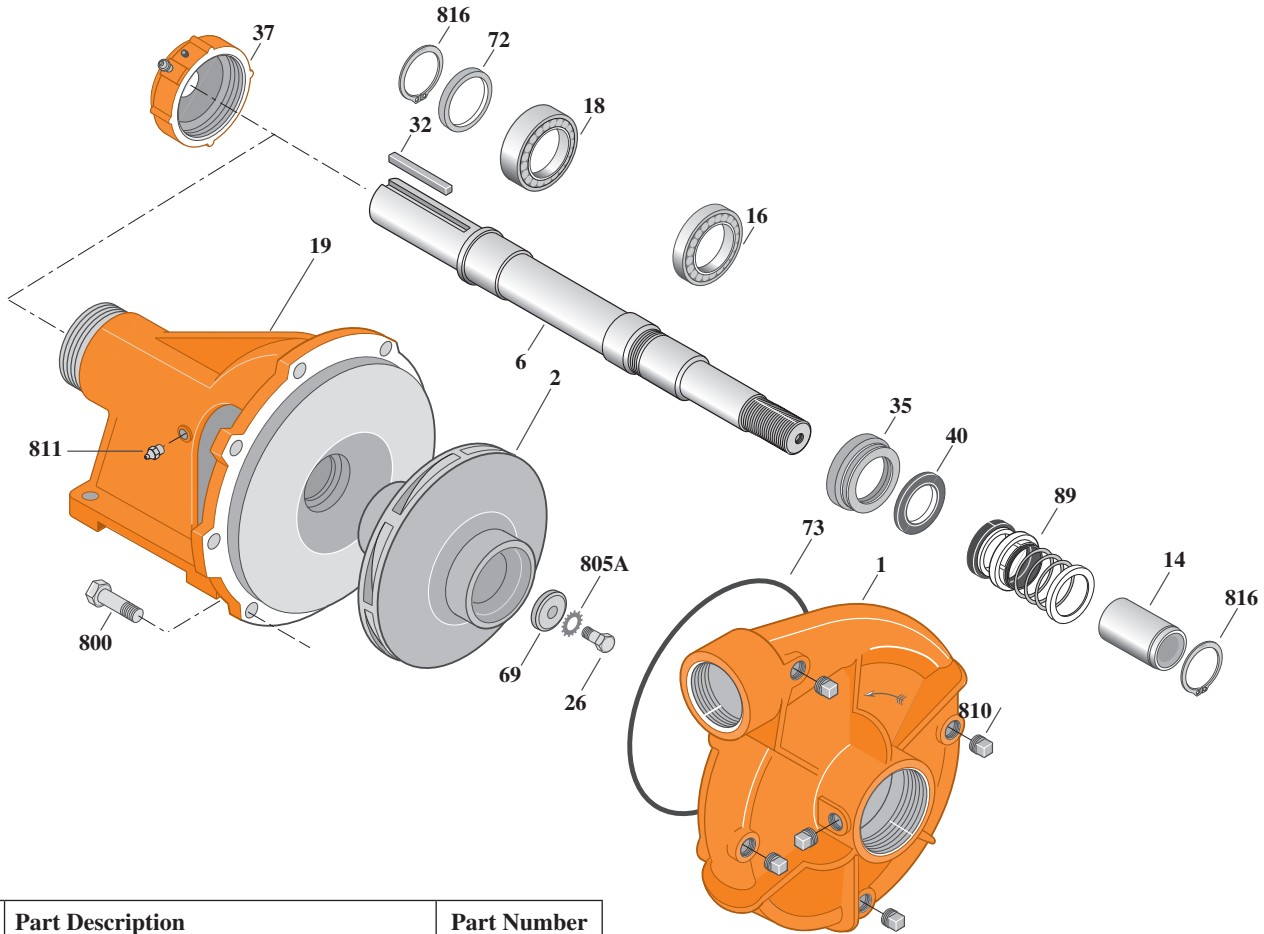
Type "B" Single Stage Centrifugal Pump Bearing Frame Mount

Section	FM
Page	40.2
Date	December 1, 2011
Supersedes 7/1/11	

CAST IRON IMPELLER B2ZRMS

Threaded Case (NPT)

Mechanical Shaft Seal Construction



Item	Part Description	Part Number
1	Case, Volute	See Table I
2	Impeller	See Table I
6	Shaft (Not sold separately)	See Note 1
14	Sleeve, Shaft	S39242L
16	Bearing, Ball	S13270
18	Bearing, Ball	S13271
19	Frame	H04007
26	Screw, Impeller 3/8-16x1"	S23566
32	Key, 1/4x2-1/8"	S24255
35	Inner Bearing Cap	S19033
37	Outer Bearing Cap Assembly*	S19914
40	Slinger, Water	S12260
69	Washer, Impeller	S06314
72	Ring, Thrust	S29218
73	O-Ring (See Note 2)	M14943
89	Seal, Mechanical Shaft	S32690

* Includes grease fitting and set screw.

Table I

B/M No.	Rotation	Volute Case	Impeller	Impeller Diameter
B68411	CW	L01026	M01802	9.00"

Item	Part Description	Part Number
800	Capscrew, Hex 3/8-16x7/8" (8 Req.)	S26825
805A	Washer, Lock	S23036
810	Plug, Pipe 1/4 NPT (5 Req.)	S23715
811	Fitting, Grease	S23670
816	Ring, Retaining	S23009
816	Ring, Retaining	S23010
	Plug, Pipe 1/2 NPT (Not illustrated)	S23717

NOTE 1: Shaft Replacement Kit available for this model. Berkeley part number B85571. Pump Shaft sold in shaft replacement kit only.

NOTE 2: Also accepts gasket S05126 as replacement for o-ring. See *Supplement E* located at the beginning of this section.