

BERKELEY® B3ZRMS

Cast Iron Impeller

Threaded Case (NPT), Mechanical Seal Construction

BEARING FRAME MOUNT

| | |
|---------------------|---------------|
| Section | FM |
| Page | 130.4 |
| Date | March 4, 2013 |
| Supersedes 07/01/11 | |

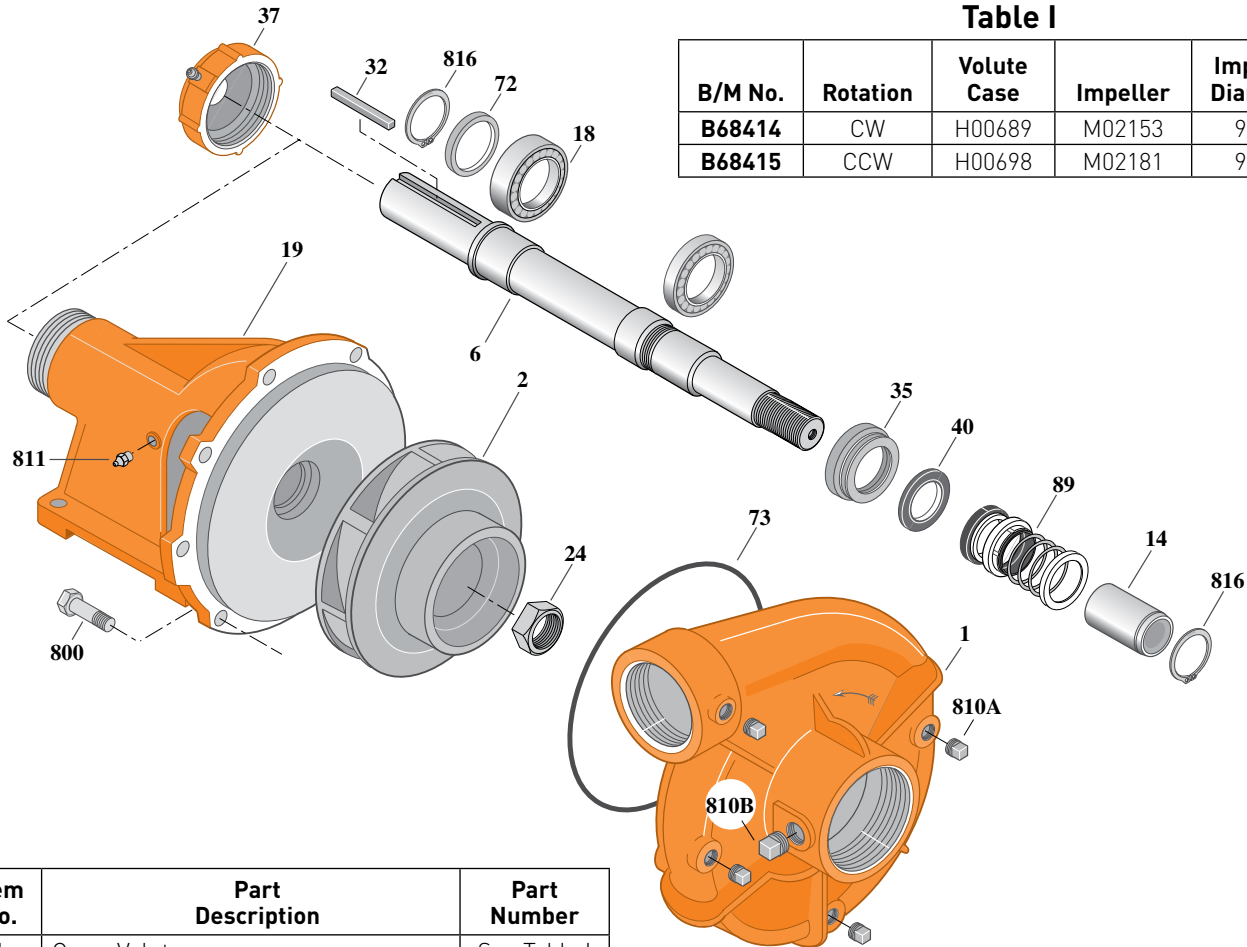


Table I

| B/M No. | Rotation | Volute Case | Impeller | Impeller Diameter |
|---------------|----------|-------------|----------|-------------------|
| B68414 | CW | H00689 | M02153 | 9.00" |
| B68415 | CCW | H00698 | M02181 | 9.00" |

| Item No. | Part Description | Part Number |
|----------|-----------------------------|-------------|
| 1 | Case, Volute | See Table I |
| 2 | Impeller | See Table I |
| 6 | Shaft (Not sold separately) | See Note 1 |
| 14 | Sleeve, Shaft | S39242L |
| 16 | Bearing, Ball | S13270 |
| 18 | Bearing, Ball | S13271 |
| 19 | Frame | H04007 |
| 24 | Locknut, Impeller (CW) | M10220 |
| 24 | Locknut, Impeller (CCW) | U36-189SS |
| 32 | Key, 1/4x2-1/8" | S24255 |
| 35 | Inner Bearing Cap | S19033 |
| 37 | Outer Bearing Cap Assembly* | S19914 |
| 40 | Slinger, Water | S12260 |
| 72 | Ring, Thrust | S29218 |
| 73 | O-Ring [See Note 2] | M14943 |
| 89 | Seal, Mechanical Shaft | S32690 |

* Includes grease fitting and set screw.

| Item No. | Part Description | Part Number |
|----------|----------------------------------|-------------|
| 800 | Capscrew, Hex 3/8-16x1" (8 Req.) | S26826 |
| 810A | Plug, Pipe 1/4 NPT (4 Req.) | S23715 |
| 810B | Plug, Pipe 1/2 NPT | S23717 |
| 811 | Fitting, Grease | S23670 |
| 816 | Ring, Retaining | S23009 |
| 816 | Ring, Retaining | S23010 |

NOTE 1: Shaft Replacement Kit available for this model. Berkeley part number **B80699** for CW, **B80697** for CCW. Pump Shaft sold in shaft replacement kit only.

NOTE 2: Also accepts gasket **S05126** as replacement for O-Ring. See **Supplement E** located at the beginning of this section.

1998 1210