

# BERKELEY® B6ZRHS

## Cast Iron Impeller

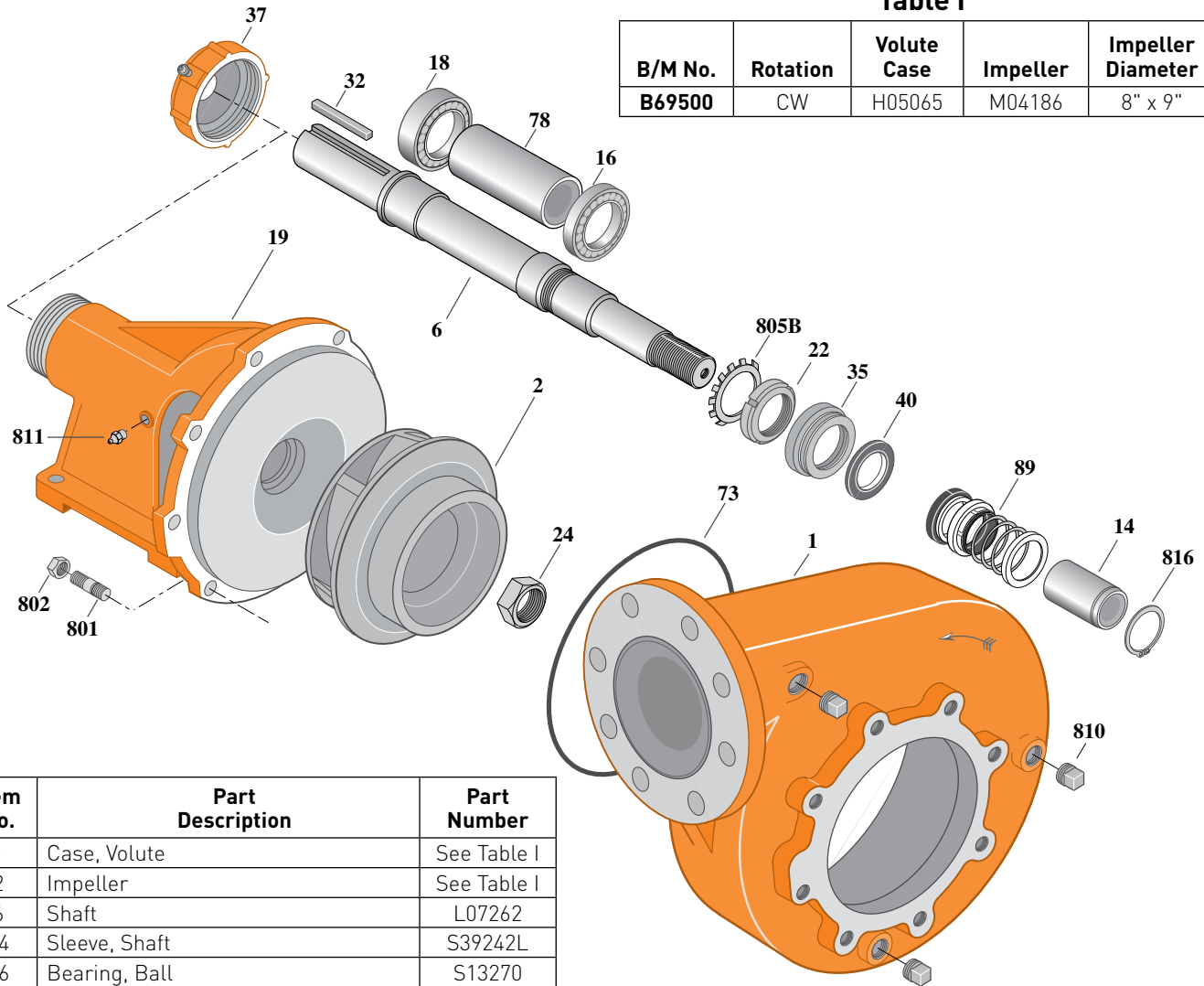
Flanged Case, Mechanical Shaft Seal Construction

### BEARING FRAME MOUNT

Section	FM
Page	260.2
Date	March 4, 2013
Supersedes 07/01/11	

**Table I**

B/M No.	Rotation	Volute Case	Impeller	Impeller Diameter
<b>B69500</b>	CW	H05065	M04186	8" x 9"



Item No.	Part Description	Part Number
1	Case, Volute	See Table I
2	Impeller	See Table I
6	Shaft	L07262
14	Sleeve, Shaft	S39242L
16	Bearing, Ball	S13270
18	Bearing, Ball	S13271
19	Frame	H04007
22	Locknut	M10221
24	Locknut, Impeller	M10220
32	Key, 1/4x2-1/8"	S24255
35	Inner Bearing Cap	S19033
37	Outer Bearing Cap Assembly*	S19914
40	Slinger, Water	S12260
73	O-Ring [See Note 1]	M14943
78	Sleeve, Spacer	S08980
89	Seal, Mechanical Shaft	S32690

Item No.	Part Description	Part Number
801	Stud, 3/8-16x1-1/2" [8 Req.]	S23995
802	Nut, Hex 3/8-16 [8 Req.]	S23103
805B	Washer, Bearing Lock	S16181
810	Plug, Pipe 1/2 NPT [3 Req.]	S23717
811	Fitting, Grease	S23670
816	Ring, Retaining	S23009

**NOTE 1:** Also accepts gasket **S05126** as replacement for O-Ring. See **Supplement E** located at the beginning of this section.

\* Includes grease fitting and set screw.

