

# BERKELEY® B6ZRH

## Cast Iron Impeller

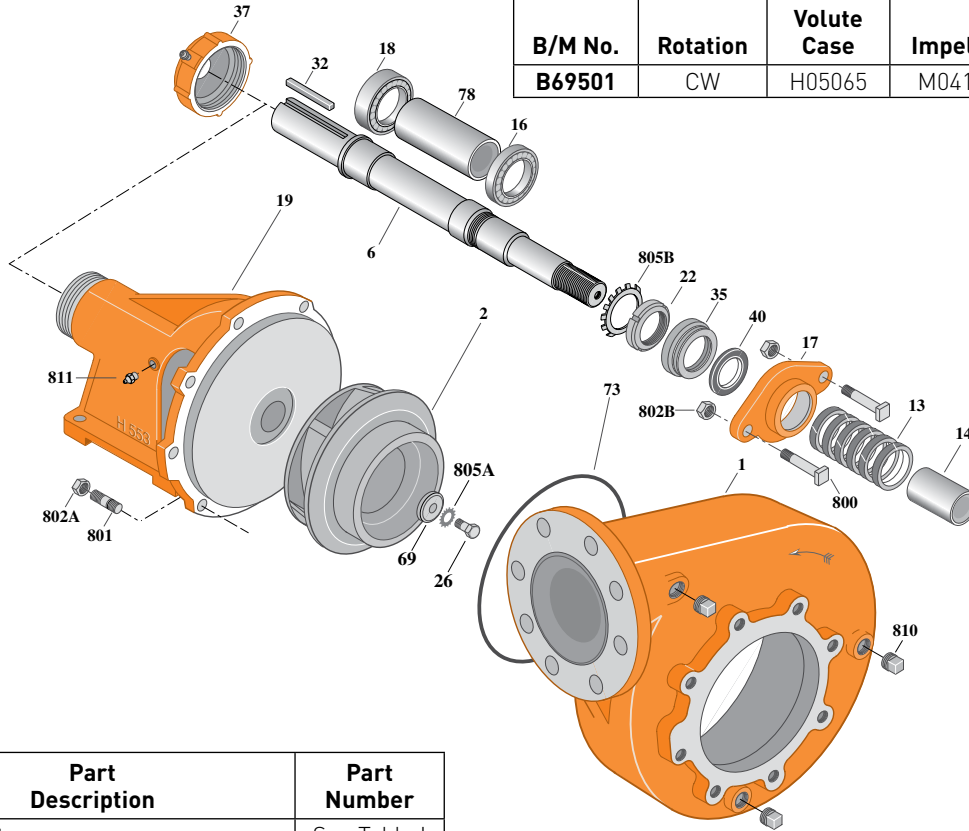
Flanged Case, Packing Construction

### BEARING FRAME MOUNT

Section	FM
Page	260.1
Date	March 4, 2013
Supersedes 07/01/11	

**Table I**

B/M No.	Rotation	Volute Case	Impeller	Impeller Diameter
<b>B69501</b>	CW	H05065	M04186	8" x 9"



Item No.	Part Description	Part Number
1	Case, Volute	See Table I
2	Impeller	See Table I
6	Shaft [Not sold separately]	See Note 2
13	Ring, Packing [Set of 6]	S14022
14	Sleeve, Shaft	S05127L
16	Bearing, Ball	S13270
17	Gland, Packing [See Note 1]	S04948
18	Bearing, Ball	S13271
19	Frame	H00553
22	Locknut	M10221
26	Screw, Impeller 3/8-16x1-3/4"	S23572
32	Key, 1/4x2-1/8"	S24255
35	Inner Bearing Cap	S19033
37	Outer Bearing Cap Assembly*	S19914
40	Slinger, Water	S12260
69	Washer, Impeller	S06314
73	O-Ring [See Note 3]	M14943
78	Sleeve, Spacer	S08980

Item No.	Part Description	Part Number
800	Bolt, Sq. Head 3/8-16x2-1/2" [2 Req.]	S23762
801	Stud, 3/8-16x1-1/4" [8 Req.]	S23994
802A	Nut, Hex 3/8-16 [8 Req.]	S23103
802B	Nut, Hex 3/8-16 [2 Req.]	S23343
805A	Washer, Lock	S23036
805B	Washer, Bearing Lock	S16181
810	Plug, Pipe 1/2 NPT [3 Req.]	S23717
811	Fitting, Grease	S23670

**NOTE 1:** A two piece (split) stainless steel packing gland is available for replacement, order part number **B82468**.

**NOTE 2:** **Shaft Replacement Kit** available for this model. Berkeley part number **B07480**. Pump Shaft sold in shaft replacement kit only.

**NOTE 3:** Also accepts gasket **S05126** as replacement for O-Ring. See **Supplement E** located at the beginning of this section.

\* Includes grease fitting and set screw.