

BERKELEY® B4ZRKS

Cast Iron Impeller

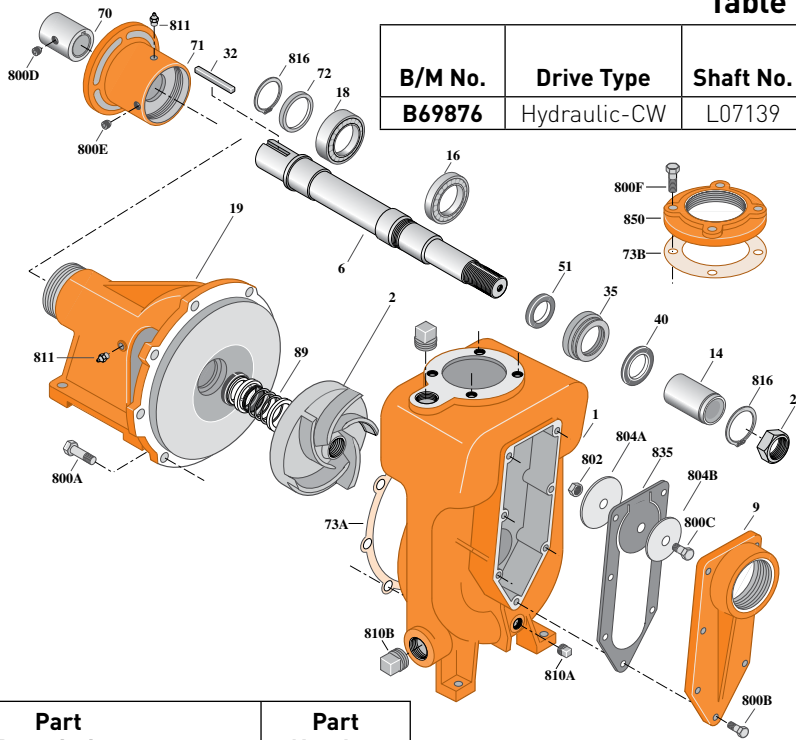
Threaded Case (NPT), Mechanical Seal Construction

BEARING FRAME MOUNT SELF PRIME

Section	FM/SP
Page	40.2
Date	March 4, 2013
Supersedes 01/01/04	

Table I

B/M No.	Drive Type	Shaft No.	Impeller	Impeller Size
B69876	Hydraulic-CW	L07139	M08095	9.12"x1.00" BA



Item No.	Part Description	Part Number
1	Case, Volute	H02505
2	Impeller	See Table I
6	Shaft	See Table I
9	Cover, Suction	L04108
14	Sleeve, Shaft	S39242
16	Bearing, Ball	S13270
18	Bearing, Ball	S13271
19	Frame	H04007
24	Nut, Hex Jam	M10220
32	Key, 1/4x1"	S24168
35	Inner Bearing Cap	M10213
40	Slinger, Water	S12260
51	Seal, Oil	M10216
70	Coupling, Shaft	S30636
71	Bracket, Hydraulic Motor*	L05720
72	Ring, Thrust	S29218
73A	Gasket, Case	S05126
73B	Gasket, Blind Flange	S10364
89	Seal, Mechanical Shaft	S32690

Item No.	Part Description	Part Number
800A	Capscrew, Hex 3/8-16x1" (8 Req.)	S26826
800B	Capscrew, Hex 3/8-16x1-1/4" (7 Req.)	S26828
800C	Capscrew, Hex 3/8-16x3/4"	S26824
800D	Set Screw, Hex 1/2"	S23964
800E	Set Screw, Hex 5/8" (2 Req.)	S23965
800F	Capscrew, Hex 5/8-11x1-3/4" (4 Req.)	S27001
802	Nut, Hex 3/8-16	S23103
804A	Weight, Clack	S14842
804B	Weight, Clack	S15325
810A	Plug, Pipe 1/2" NPT	S23717
810B	Plug, Pipe 1-1/2" NPT (2 Req.)	S23695
811	Fitting, Grease (3 Req.)	S23670
816	Ring, Retaining External	S23009
816	Ring, Retaining	S23010
835	Clack, Rubber	L04119
850	Flange, Companion	S15933
•	Spacer, Impeller	S15405

* Includes grease fitting and set screw.
• Not illustrated.

NOTE 1: Shaft Replacement Kit available for this model. Berkeley part number **B80703**. Pump Shaft sold in shaft replacement kit only.