



TYPE "B" SINGLE STAGE
CENTRIFUGAL PUMP
Bearing Frame Mount

Section	FM
Page	205.2
Date	August 1, 1997
Supersedes/New	

SILICON BRONZE IMPELLER

B4GRMBHS

Flanged Case

Mechanical Seal Construction

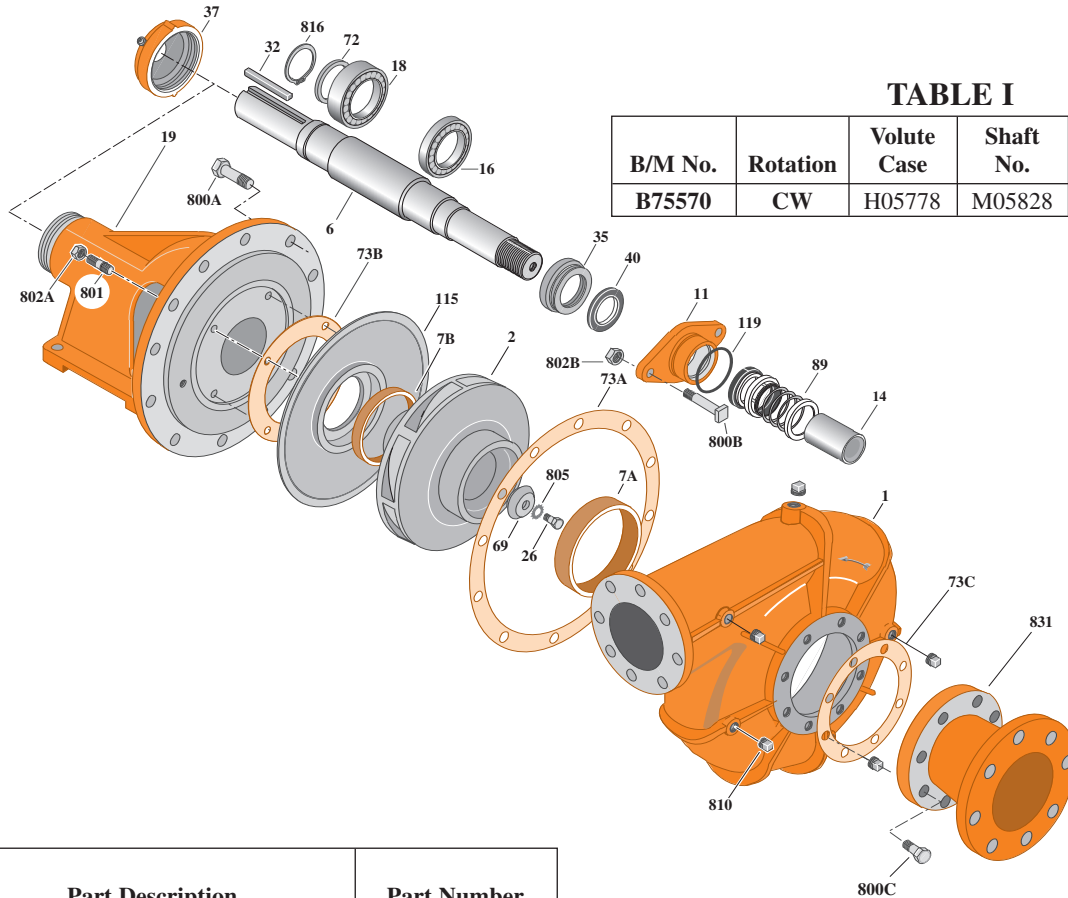


TABLE I

B/M No.	Rotation	Volute Case	Shaft No.	Impeller	Impeller Diameter
B75570	CW	H05778	M05828	H05882	12.75"

Item No.	Part Description	Part Number
1	Case, Volute	See Table I
2	Impeller	See Table I
6	Shaft (See Note 1)	See Table I
7A	Ring, Wearing	M11195
7B	Ring, Wearing	M11194
11	Retainer, Mechanical Shaft Seal	S11452
14	Sleeve, Shaft	S05974
16	Bearing, Ball	S13396
18	Bearing, Ball	S15604
19	Frame	H01838
26	Screw, Impeller 1/2-13x1-3/4"	S23625
32	Key, 1/2x4"	S24214
35	Inner Bearing Cap	S05928
37	Outer Bearing Cap Assembly*	S35277
40	Slinger, Water	S10964
69	Washer, Impeller	S06319
72	Ring, Thrust	S06519
73A	Gasket, Volute	S06271
73B	Gasket, Balance Ring	S09943
73C	Gasket, Reducer	S10367
89	Seal, Mechanical Shaft	S32693

Item No.	Part Description	Part Number
115	Ring, Balance	H05781
119	O-Ring	S26471
800A	Capscrew, Hex 5/8-11x1-1/2" (12 Req.)	S26999
800B	Bolt, Sq. Head 1/2-13x2-1/4" (2 Req.)	S23792
800C	Capscrew, Hex 3/4-10x1-3/4" (8 Req.)	S27327
801	Stud, 3/8-16x1-3/8" (4 Req.)	S09942
802A	Nut, Hex 3/8-16" (4 Req.)	S23103
802B	Nut, Hex 1/2-13x7/16" (2 Req.)	S23347
805A	Washer, Lock	S23038
810	Plug, Pipe 1/2 NPT (6 Req.)	S23717
816	Ring, Retaining	S23016
831	Reducer, Eccentric	H05780

1. A **Shaft Replacement Kit** is available for this model. Berkeley part number **B07596** for CW, **B07597** for CCW. Refer to Supplement Sheet C2 for breakdown of shaft kit components.

* Includes grease fitting.