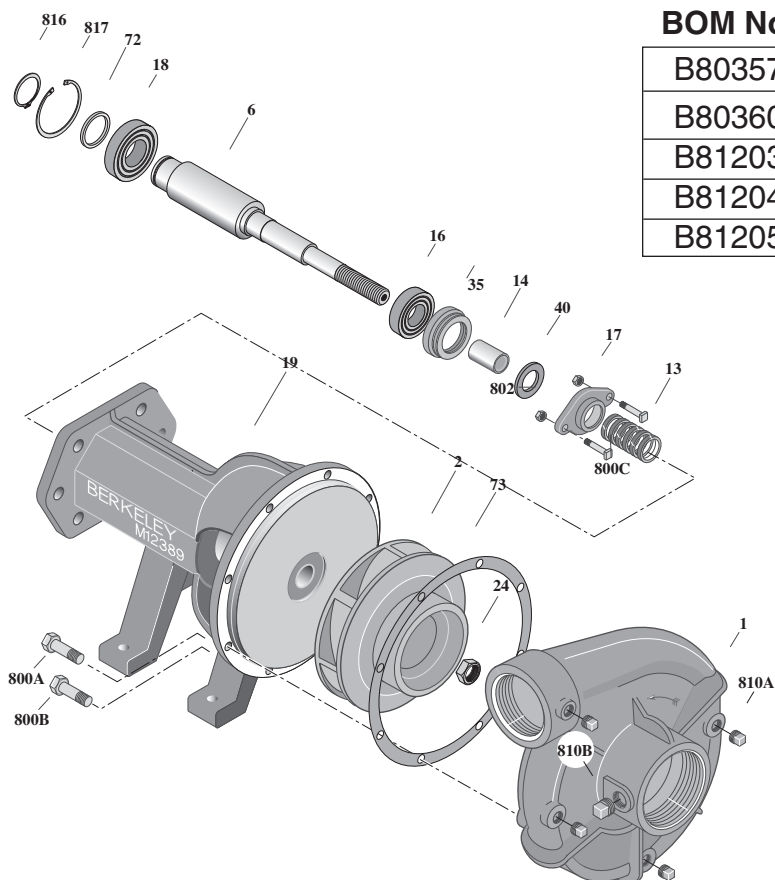


Pump Nomenclature

B3ZRM Bearing Frame Mount

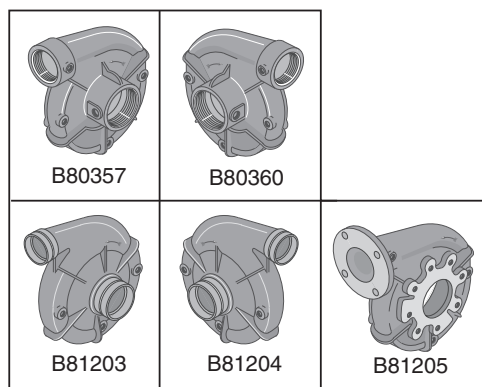
Parts Breakdown



BOM No.	Rotation	Volute	Connection
B80357	CW	H00689	NPT
B80360	CCW	H00698	NPT
B81203	CW	H04040	Victaulic
B81204	CCW	H04041	Victaulic
B81205	CW	H05130	Flanged

Replacement Shaft Kits

B80519	CW
B80518	CCW



Key No.	Part Description	Qty.	Part Number
1	Volute	1	See Chart
2	Impeller (Clockwise Rotation)	1	M13582
2	Impeller (Counterclockwise Rotation)	1	M13583
6	Shaft (Clockwise Rotation)	1	1000000880*
6	Shaft (Counterclockwise Rotation)	1	1000000879*
13	Packing Ring	6	S08281
14	Shaft Sleeve	1	S05127*
16	Single Row Ball Bearing - Small	1	M12395*
17	Packing Gland	1	S04948
18	Single Row Ball Bearing - Large	1	M12394*
19	Bracket	1	M12389
24	Impeller Nut (Clockwise Rotation)	1	M10220
24	Impeller Nut (Counterclockwise Rotation – LH Thread)	1	U36-189SS
35	Inner Bearing Cap	1	S19033
40	Slinger	1	S12260
72	Washer	1	M12392*
73	Volute Gasket	1	S05126
800A	3/8-16x7/8" Lg. Hex Hd. Capscrew	6	S26825
800B	3/8-16x1-1/8" Lg. Hex Hd. Capscrew	2	S26827
800C	3/8-16 Sq. Hd. Machine Bolt	2	S23761
802	3/8-16 BRS Hex Nut	2	S23343
810A	1/4" NPT Sq. Hd. Pipe Plug	4	S23715
810B	1/2" NPT Sq. Hd. Pipe Plug	1	S23717
816	Bearing Retaining Ring	1	M12486*
817	Shaft Retaining Ring	1	M12487*

* Items included in the Shaft Replacement Kit.