



TYPE "B" SINGLE STAGE  
CENTRIFUGAL PUMP  
Bearing Frame Mount

Section	FM
Page	210.1.1
Date	December 1, 2005
Supersedes 1/1/04	

CAST IRON IMPELLER

B4EYRMBM

Flanged Case

Packing Construction

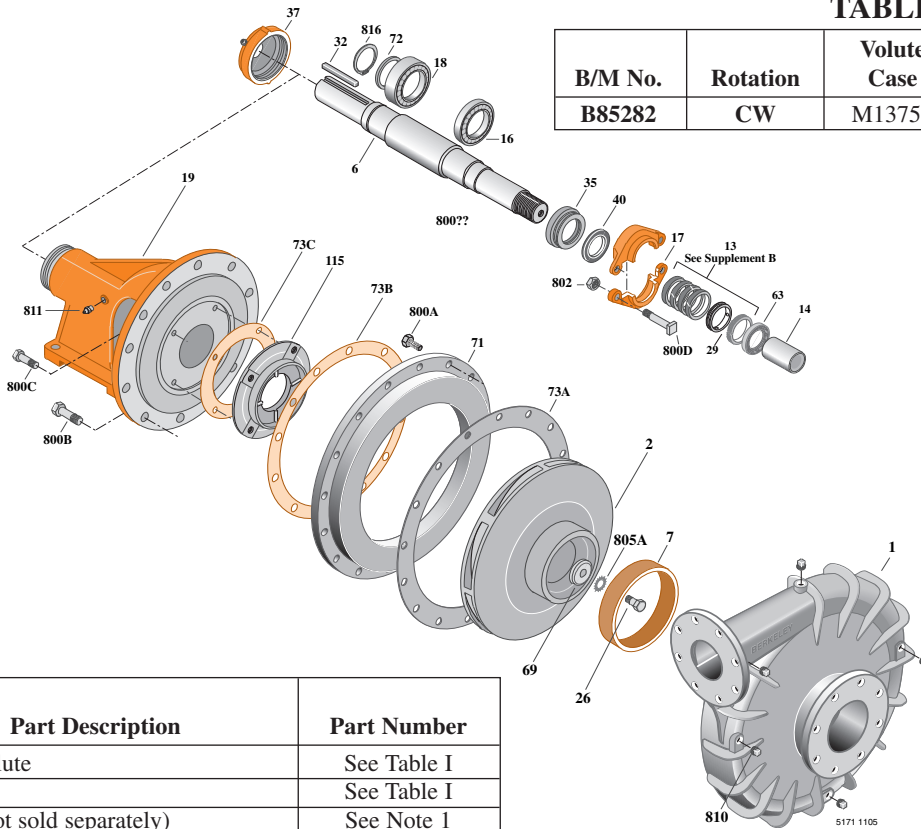


TABLE I

B/M No.	Rotation	Volute Case	Impeller	Impeller Diameter
B85282	CW	M13751	L02409	17.88"

Item No.	Part Description	Part Number
1	Case, Volute	See Table I
2	Impeller	See Table I
6	Shaft (Not sold separately)	See Note 1
7	Ring, Wearing	S15718
13	Ring, Packing (Set of 4)	S13436
14	Sleeve, Shaft	S05974
16	Bearing, Ball	S15604
17	Gland, Packing	B82472
18	Bearing, Ball	S13396
19	Frame	H01599
26	Screw, Impeller 1/2-13-1-1/4"	S23621
29	Ring, Lantern	S18993
32	Key, 1/2x4"	S24214
35	Inner Bearing Cap	S05928
37	Outer Bearing Cap Assembly*	S35277
40	Slinger, Water	S10964
63	Bushing, Throat	S18992
69	Washer, Impeller	S06319
71	Ring, Adapter	M13753
72	Ring, Thrust	S06519
73A	Gasket, Suction Cover	S06401
73B	Gasket, Volute	S06271
73C	Gasket, Balance Ring	S09943

Item No.	Part Description	Part Number
115	Ring, Balance	S12304
800A	Capscrew, Hex 5/8-11x1-3/4"(16 Req.)	S27001
800B	Capscrew, Hex 5/8-11x1-1/2"(12 Req.)	S26999
800C	Capscrew, Hex 3/8-16x1" (4 Req.)	S26826
800D	Bolt, Sq. Head 1/2-13x2-3/4" (2 Req.)	S23794
802	Nut, Hex 1/2-13x7/16" (2 Req.)	S23347
805A	Washer, Lock	S23038
810	Plug, Pipe 1/2 NPT (4 Req.)	S23717
811	Fitting, Grease	S23670
816	Ring, Retaining	S23016

1. **Shaft Replacement Kit** available for this model. Berkeley part number **B07596**. Pump Shaft sold in shaft replacement kit only.

\* Includes grease fitting.